

KAMADOJOE®
A GUIDE TO KAMADO COOKING
UN GUIDE POUR LA CUISSON DE STYLE KAMADO
UNA GUIA PARA LA COCCION CON KAMADO



UL US
LISTED
MH65829

KONNECTED JOE™ OWNER'S MANUAL
MODE D'EMPLOI de KONNECTED JOE™
MANUAL DEL USUARIO de KONNECTED JOE™
KJ15041123

LE NON-RESPECT DES DÉGAGEMENTS (ESPACES LIBRES) REQUIS POUR LES MATÉRIAUX COMBUSTIBLES EST L'UNE DES PRINCIPALES CAUSES D'INCENDIE. IL EST EXTRÊMEMENT IMPORTANT D'INSTALLER CE PRODUIT CONFORMÉMENT À CES INSTRUCTIONS SEULEMENT.

Welcome | Bienvenue | Bienvenido

Assembly images are shown first.

Please read this entire manual before installation and use of this charcoal fuel burning appliance.

Failure to follow these instructions could result in property damage, bodily injury or even death.

Contact local building or fire officials about restrictions and installation inspection requirements in your area. Save these instructions.

Les images de montage sont montrées en premier.

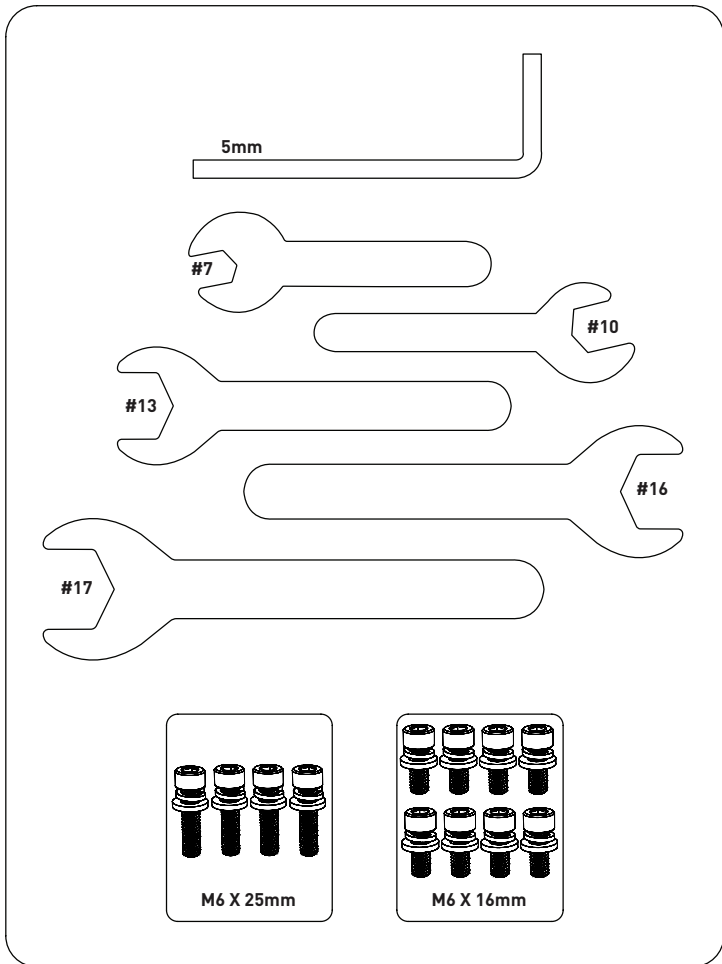
Veuillez lire ce manuel au complet avant l'installation et l'utilisation de cet appareil au charbon de bois. Le non-respect de ces instructions pourrait entraîner des dommages matériels, des blessures corporelles ou même la mort. Prenez contact avec les responsables locaux de la construction ou des incendies pour connaître les restrictions et les exigences en matière d'inspection des installations dans votre région. Conservez ces instructions.

Las imágenes de ensamblaje se muestran primero.

Lea todo este manual antes de la instalación y uso de este artefacto de quema de combustible a carbón. Si no sigue estas instrucciones podrían producirse daños a la propiedad, lesiones corporales o incluso la muerte. Contacte al encargado de incendios o de su edificio local con respecto a las restricciones y requerimientos de inspección de la instalación en su área. Conserve estas instrucciones.

A MAJOR CAUSE OF FIRES IS FAILURE TO MAINTAIN REQUIRED CLEARANCES (AIR SPACES) TO COMBUSTIBLE MATERIALS. IT IS OF UTMOST IMPORTANCE THAT THIS PRODUCT BE INSTALLED ONLY IN ACCORDANCE WITH THESE INSTRUCTIONS.

UNA DE LAS PRINCIPALES CAUSAS DE INCENDIO ES NO CONTAR CON EL ESPACIO DESPEJADO REQUERIDO (ESPACIOS LIBRES) FRENTE A LOS MATERIALES COMBUSTIBLES. ES DE PRIMORDIAL IMPORTANCIA QUE ESTE PRODUCTO SEA INSTALADO ÚNICAMENTE EN CONFORMIDAD CON ESTAS INSTRUCCIONES.



1

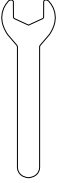


2



3

#16



4

M6X25

X4



M6

X4

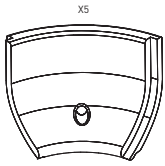


M6

X4



5



6

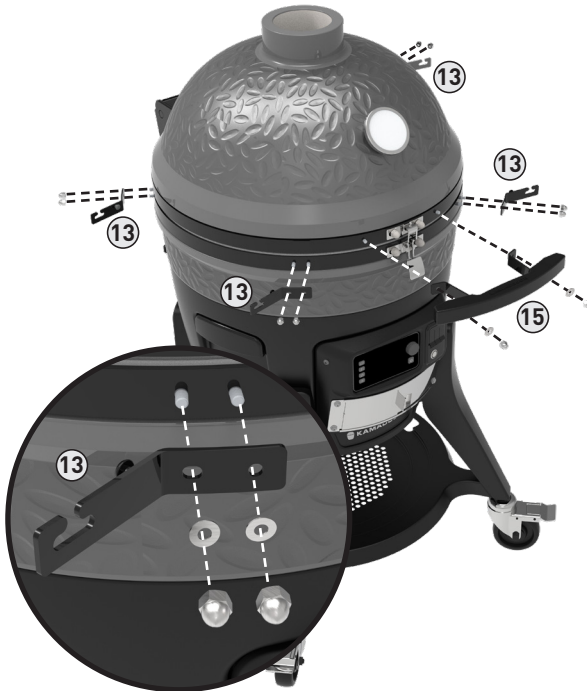


7



8

#10



9



10





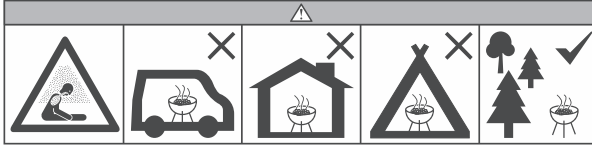
WARNING

Failure to follow these instructions could result in fire, explosion or burn hazard which could cause property damage, personal injury or death.



CARBON MONOXIDE HAZARD

- Burning wood chips, wood chunks, wood pellets, charcoal and propane gives off carbon monoxide, which has no odor and can cause death.
- DO NOT burn wood chips, wood chunks, wood pellets, charcoal or propane inside homes, vehicles, tents, garages, or any enclosed areas.
- **USE ONLY OUTDOORS where it is well ventilated.**



WARNINGS AND IMPORTANT SAFEGUARDS READ ALL INSTRUCTIONS

WARNING! This grill will become very hot. Do not move it during operation.

WARNING! Do not use indoors!

WARNING! Never use gasoline-type lantern fuel, kerosene, charcoal lighter fluid, or similar liquids to start or freshen up a fire in this grill. Keep all such liquids well away from the grill when in use.

WARNING! Keep children and pets away from grill at all times. Do NOT allow children to use grill. Close supervision is necessary when children or pets are in the area where grill is being used.

WARNING! Do not use Match Light charcoal!

WARNING! Risk of Fire! Do not over-fire. When flame spills out of the grill, you are over-firing. Over-firing may ignite creosote or will damage the grill.

FOLLOW THESE GUIDELINES TO PREVENT THIS COLORLESS, ODORLESS GAS FROM POISONING YOU, YOUR FAMILY OR OTHERS.

- Know the symptoms of carbon monoxide poisoning: headache, dizziness, weakness, nausea, vomiting, sleepiness, and confusion. Carbon monoxide reduces the blood's ability to carry oxygen. Low blood oxygen levels can result in loss of consciousness and death.
- See a doctor if you or others develop cold or flu-like symptoms while cooking or in the vicinity of this appliance. Carbon monoxide poisoning, which can easily be mistaken for a cold or flu, is often detected too late.
- Alcohol consumption and drug use increase the effects of carbon monoxide poisoning.

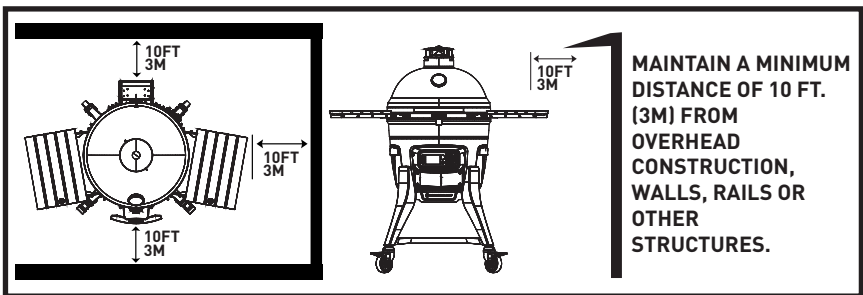
Carbon monoxide is especially toxic to mother and child during pregnancy, infants, the elderly, smokers, and people with blood or circulatory system problems, such as anemia, or heart disease.

Charcoal NOT included



WARNINGS AND IMPORTANT SAFEGUARDS

- Do not use the grill in a confined and/or habitable space e.g. houses, tents, caravans, motor homes, boats. Danger of carbon monoxide poisoning fatality.
- Never operate grill under overhead construction such as roof coverings, carports, awnings or overhangs.
- Always use grill in accordance with all applicable local, state and federal fire codes.
- Before each use check all nuts, screws and bolts to make sure they are tight and secure.
- Grill is for OUTDOOR USE ONLY.
- Keep a minimum 10 ft. (3m) clearance of all combustible materials such as wood, dry plants, grass, brush, paper or canvas.
- Do not place any type of insulation in the required clearance space surrounding the grill.



- Never use grill for anything other than its intended use. This grill is NOT for commercial use.
- Accessory attachments not supplied by Kamado Joe are NOT recommended and may cause injury.
- Use of alcohol, prescription or non-prescription drugs may impair user's ability to assemble or safely operate grill.
- Keep a fire extinguisher accessible at all times while operating grill.
- When cooking with oil or grease, have a type BC or ABC fire extinguisher readily available.
- In the event of an oil or grease fire do not attempt to extinguish with water. Immediately call the fire department. A type BC or ABC fire extinguisher may, in some circumstances, contain the fire.
- Use grill on a level, non-combustible, stable surface such as dirt, concrete, brick or rock. An asphalt surface (blacktop) may not be acceptable for this purpose.
- Grill MUST be on the ground. Do not place grill on tables or counters. Do NOT move grill across uneven surfaces.
- Do not use grill on wooden or flammable surfaces.
- Keep grill clear and free from combustible materials such as gasoline and other flammable vapors and liquids.
- Do not leave grill unattended.



WARNINGS AND IMPORTANT SAFEGUARDS

- Do NOT allow anyone to conduct activities around grill during or following its use until it has cooled.
- Do not use accessories not specified for use with this appliance.
- Do not use products not specified for use with this oven.
- Never use glass, plastic or ceramic cookware in grill. Never place empty cookware in grill while in use.
- Never move grill while in use. Allow grill to cool completely (below 115°F (45°C)) before moving or storing.
- Do not store grill with hot ashes or charcoal inside grill. Store only when fire is completely out and all surfaces are cold.
- Never use grill as a heater. READ CARBON MONOXIDE HAZARD.
- The grill is HOT while in use and will remain HOT for a period of time afterwards and during cooling process. Use CAUTION. Wear protective gloves/mitts.
- DO NOT bump or impact the grill to prevent personal harm, damage to grill or spillage/splashing of hot cooking liquid.
- Be careful when removing food from grill. All surfaces are HOT and may cause burns. Use protective gloves/mitts or long, sturdy cooking tools for protection from hot surfaces or splatter from cooking liquids.
- Do not touch HOT surfaces.
- Grill is HOT during use. To avoid burns, keep face and body away from vents and when opening lid. Steam and hot air are expelled during use.
- When cooking above 350°F (175°C), carefully open the grill (or burp the grill) each time you lift the grill dome to prevent flashback – a surge of white-hot heat caused by a rush of oxygen. Partially opening the lid 2-3 inches (5-8cm) and allowing heat to escape for about 5 seconds should prevent this.
- Air dampers are HOT while the grill is in use and during cooling. Wear protective gloves when adjusting.
- ATTENTION! When running the grill in automatic mode, the bottom vent should be closed completely at all times.
- Grill has an open flame. Keep hands, hair and face away from flame. Do NOT lean over grill when lighting. Loose hair and clothing may catch fire.
- DO NOT obstruct flow of combustion and ventilation.
- Do not cover cooking racks with metal foil. This will trap heat and may cause damage to the grill.
- Never leave HOT coals or ashes unattended.
- Fuel should be kept red hot for at least 30 minutes prior to use.
- Do not cook before the fuel has a coating of ash.
- Do not remove ash drawer while ashes and charcoal are HOT.
- Use protective gloves when handling this grill or working with fire. Use protective gloves or long, sturdy tools when adding wood or charcoal.
- Never use charcoal lighting fluid, gasoline, alcohol or other highly volatile fluids to ignite charcoal. These fluids can explode and cause injury or death.
- The maximum amount of charcoal for the Konnected Joe™ is 6 lbs. (2.7 kg). Never overfill charcoal grate. This can cause serious injury as well as damage to the grill.
- DO NOT use Match Light charcoal.
- Dispose of cold ashes by placing them in aluminum foil, soaking with water and discarding in a non-combustible container.
- Wear protective gloves when lifting and use extreme caution.



WARNINGS AND IMPORTANT SAFEGUARDS

- When using electrical appliances, basic safety precautions should always be followed including the following: 1) Do not plug in the appliance until fully assembled and ready for use. 2) Use only approved grounded electrical outlet. 3) Do not use during an electrical storm. 4) Do not expose appliance to rain or water at any time.
- To protect against electrical shock do not immerse cord, plug or control panel in water or other liquid.
- Do not operate any appliance with a damaged cord or plug, or after appliance malfunctions or has been damaged in any manner.
- If the supply cord is damaged, it must be replaced by a special cord or assembly available from the manufacturer or its service agent.
- Extension cords may be used if care is exercised in their use.
- If an extension cord is used: 1) The marked electrical rating of the extension cord should be at least as great as the electrical rating of the appliance; and 2) The cord should be arranged so that it will not drape over a counter top or tabletop where it can be pulled by children or tripped over unintentionally.
- The extension cord must be a grounding-type 3-wire cord.
- Outdoor extension cords must be used with outdoor use products and are marked with suffix "W" and with the statement "Suitable for Use with Outdoor Appliances."
- CAUTION - To reduce the risk of electric shock, keep extension cord connection dry and off the ground.
- Do not let cord hang on or touch hot surfaces.
- Do not place cord on or near a hot gas or electric burner, or in a heated oven.
- To disconnect, turn controller "OFF", turn grill "OFF", then remove plug from outlet.
- Unplug from outlet when not in use and before cleaning.
- Do not clean this product with a water sprayer or the like.
- Always operate grill on a level surface.
- This appliance is not intended for use by persons (including children) with reduced physical, sensory or mental capabilities, or lack of experience and knowledge, unless they have been given supervision or instruction concerning use of the appliance by a person responsible for their safety.
- Keep children and pets away from grill at all times. Do NOT allow children to use grill. Close supervision is necessary when children or pets are in the area where grill is being used.



ELECTRIC REQUIREMENTS

USA/CA 110-120VAC, 4AMP, 50/60HZ, 500W, 3-Prong Grounded Plug.

PARTS LIST

1. TOP VENT (1)
2. GRILL DOME (1)
3. HALF MOON COOKING GRATES (2)
4. ACCESSORY RACK (1)
5. CERAMIC HEAT DEFLECTORS (2)
6. DIVIDE & CONQUER® FLEXIBLE COOKING RACK (1)
7. STAINLESS STEEL FIREBOX RING (1)
8. LEFT SIDE SHELF (1)
9. RIGHT SIDE SHELF (1)
10. AMP (ADVANCED MULTI-PANEL) CERAMIC FIREBOX (5)
11. ASH TOOL (1)
12. GRILL GRIPPER (1)
13. SIDE SHELF BRACKETS (4)
14. SLIDE-OUT ASH DRAWER (1)
15. FRONT HANDLE (1)
16. KONECTED JOE BODY (1)
17. LEGS (4)
18. TOP PLATE (1)
19. BOTTOM PLATE (1)
20. NON-LOCKING SWIVEL CASTERS (2)
21. LOCKING SWIVEL CASTERS (2)
22. POWER CORD (1)
23. HINGE DISENGAGEMENT TOOL KIT (1)
24. MEAT PROBE (1)



GRILL SET-UP

UNBOXING YOUR GRILL

- 1 Cut the plastic bands and remove the top and side panels of the shipping container.
- 2 Set the grill cart box aside.
- 3 Open the dome of the grill and remove the components from the inside of the grill. Handle the internal ceramic parts with care.

KAMADO JOE GRILL WITH CART

- 1 Assemble the grill cart.
- 2 Once the internal components of the grill have been removed, lift the grill out of the container and into the cart. Due to the weight of this grill, we highly recommend two people perform this task. Lift the grill by the rear and side handles only. Do NOT lift the grill by the side shelf tabs, hinge, or front handle. Wear protective gloves when lifting and use extreme caution.
- 3 Adjust the grill in the cart so the lower grill vent is facing the front of the cart. The front side of the cart is the side with the two locking casters.

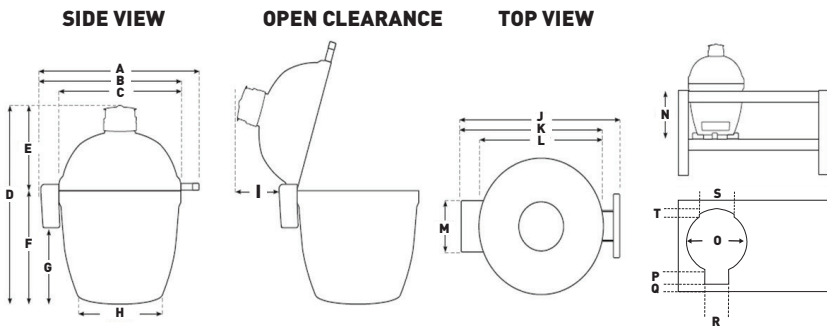
KONNECTED JOE BUILT IN

Please use this as a general guide for installing your ceramic grill in a built-in outdoor kitchen or grill table. We highly recommend that the actual grill being installed be measured.

Table should be fixed on the ground or wall.

Non-flammable building materials are suggested for construction.

Drawing is not to scale.



To install your Konnected Joe into a built-in kitchen, cart, table, or stand, ensure the surface the grill sits on has an opening 12.25in(32cm) in diameter directly underneath the grill to allow cool air to reach the bottom of the grill. Ensure the surface is non-combustible and can handle high temperatures. Ensure there is rear access to the grill so you can access the power switch. Use extreme caution, sparks and hot ash can reach the bottom of this grill.

A	B	C	D	E	F	G	H	I	J	K	L	M	N	O	P	Q	R	S	T
30.3	26.9	22.3	30.7	14.3	16.4	8.4	18.1	1.6	30.3	26.9	22.3	7.8	13.3	22.8	5.5	3.6	9.3	13.3	3

QUICK START GUIDE



WARNING - Do not use an external fan and/or controller at any time.

STARTING IT UP

Your Konnected Joe can be operated using “classic cook mode” or “automatic cook mode”. The classic mode will provide you a traditional kamado cooking experience. In the automatic mode, your grill will utilize the Kontrol Board™ and the Kontrol Fan™ to maintain the temperature for you automatically.

CLASSIC MODE:

1. Add charcoal to firebox and light using one or two firestarters. You can also light the charcoal without firestarters by pressing the AFS (automatic fire starter) button to engage the element to ignite the charcoal. The element is ON when the red light is glowing. The element will stay on for 15 minutes. Press and hold the AFS button to turn the element OFF if desired.
2. Leave dome open for 10 minutes with the bottom vent fully open.
3. Close the dome.
4. Begin closing the top vent and bottom vent when the dome temperature is within 50°F (10°C) of your target.

AUTOMATIC MODE:

NOTE - the first time the lid is opened after the controller is powered on, the accessory screen will appear. Please refer to the accessory screen section of the instruction manual.

1. Clean out any remaining ash in the firebox from a previous cook. Old ash can prevent the charcoal from proper ignition. It is recommended to use your ash tool to scrape and clean out the firebox and ash drawer. Do this while the unit is cold.
2. Add charcoal to the firebox.
3. Close the bottom vent fully. **ATTENTION!** When running the grill in automatic mode, the bottom vent should be closed completely at all times.
4. Close the dome.
5. Power on your grill with the switch on the rear. Power on your controller.
6. Set your temperature on your controller and position the vents as described.
7. Press the AFS (automatic fire starter) button to engage the element to ignite the charcoal. The element is ON when the red light is glowing. The element will stay on for 15 minutes. Press and hold the AFS button again to turn the element OFF if desired.



AFS BUTTON

MAINTAINING TEMPERATURE

CLASSIC MODE:

To lower the temperature, decrease the airflow through the grill by closing the vents. Conversely, raise the temperature by opening the vents. Adjustments to the vents are not immediate—allow 10–15 minutes for a vent change to take effect. Because your ceramic Kamado Joe retains heat so well, it can take some time to fully heat. Give your grill 20–40 minutes to stabilize the temp before you start cooking.

AUTOMATIC MODE:

ATTENTION! When running the grill in automatic mode, the bottom vent should be closed completely at all times. Your Konnected Joe will automatically maintain the set temperature when running in automatic mode. Please ensure your top vent is set as described on the Kontrol Board.

Heat deflectors are NOT to be installed when maintaining temperatures above 400F. For maintaining temperatures below 400F, it is best to cook with the heat deflectors installed.

COOLING IT DOWN

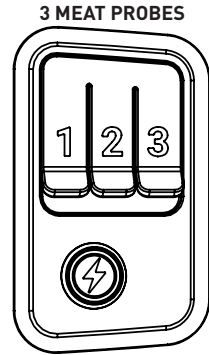
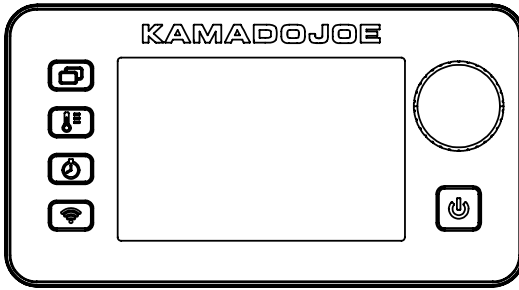
CLASSIC MODE:

1. When finished cooking, close the bottom vent completely.
2. Once the temperature falls below 400°F (205°C), close the top vent.
3. Do not cover the grill until the dome is cool to the touch.

AUTOMATIC MODE:

1. When finished cooking, power off your controller and power off your grill.
2. Keep the bottom vent closed completely.
3. Once the temperature falls below 400°F (205°C), close the top vent.
4. Do not cover the grill until the dome is cool to the touch.

KONTROL BOARD™



Power – Press button to power controller on. Press and hold to power controller off.



AFS (automatic fire starter) – Press button to engage the element to ignite the charcoal. The element is ON when the red light is glowing. The element will stay on for 15 minutes. Press and hold the AFS button again to turn the element OFF if desired.



Screen Cycle – Press button to cycle through different controller views.



Set Temperature – Press button. Turn knob to desired temperature. Press button again to set the temperature.



Set Time:

Countdown Timer

1. Press button.
2. Turn knob to desired hours.
3. Press button to set hours.
4. Turn knob to desired minutes.
5. Press button to set minutes.
The timer will start.
6. Press button to pause and resume timer.
7. Press and hold button to reset timer.

Count Up Timer

1. Press and hold button.
2. Timer will begin counting up from 00:00. Timer will count by Minutes:Seconds and then Hours:Minutes.
3. Press button to pause and resume timer.
4. Press and hold button to reset timer.

Screen Saver Mode:

Press and hold the screen cycle button to activate screen saver mode. In screen saver mode all set temperatures and timers remain active. The screen will turn black and the Kamado Joe logo will pulse dimly on the screen. To exit screen saver mode, press any button. Screen saver mode will also be deactivated if: a meat probe has reached the set temperature, a previously set timer has been reached, open lid status is activated, or an error message is triggered.

Accessory Mode:

The first time the lid is opened after the controller is powered on, the accessory screen will appear. If you wish to use one of the listed accessories, press the button on the controller that corresponds to the accessory, if you do not wish to use an accessory, close the lid. Your selected accessory should appear in the top right hand corner of your screen on all modes except the graph mode. Resume normal use of your controller to set your temperatures, timers and meat probes.

Full Griddle:

Please note, the full griddle accessory mode is for use with a griddle that fills the entire cooking surface. Operate the grill under normal conditions for a half moon griddle surface. When using a griddle, it is best to shut the lid so the grill can regulate the temperature.



Pairing Grill with Smart Device(s) (BLUETOOTH+WIFI):

1. Download the Kamado Joe app from the Apple App Store or Google Play Store onto your smart device(s).

NOTE - During normal operation, the app may experience a slight delay from your grill controller readings.

2. Once the download is complete, open the Kamado Joe app and follow the instructions for pairing your Bluetooth + WIFI grill and smart device(s).

NOTE: Please ensure your WiFi Network is capable of 2.4Ghz. If you have dual band router(2.4Ghz and 5Ghz), choose the 2.4Ghz network. Both networks should have different names to ensure proper pairing.

This device complies with Part 15 of the FCC Rules. Operation is subject to the following two conditions:

1. This device may not cause harmful interference.
2. This device must accept any interference received, including interference that may cause undesired operation. try to correct the interference by one or more of the following measures:

FCC Warning

Warning: Changes or modifications to this grill not expressly approved by the party responsible for compliance could void the user's authority to operate the equipment.

FCC Statement

This equipment has been tested and found to comply with the limits for a Class B digital device, pursuant to Part 15 of the FCC Rules. These limits are designed to provide reasonable protection against harmful interference in a residential installation. This equipment generates, uses and can radiate radio frequency energy and if not installed and used in accordance with the instructions, may cause harmful interference to radio communications.

However, there is no guarantee that interference will not occur in a particular installation. If this equipment does cause harmful interference to radio or television reception, which can be determined by turning the equipment off and on, the user is encouraged to try to correct the interference by one or more of the following measures:

1. Reorient or relocate the receiving antenna.
2. Increase the separation between the equipment and receiver.
3. Connect the equipment into an outlet on a circuit different from that to which the receiver is connected.
4. Consult the dealer or an experienced radio/TV technician for help.

Note: If you lose connection, grill will continue as programmed. Grill can be operated from the control panel if pairing or connection fails.

Wireless Transmitter

Transmitter and WiFi Characteristics = RF 0dBm / 2412-2484 MHz

AIR LIFT HINGE ADJUSTMENTS

The Air Lift Hinge on your Connected Joe is already pre-adjusted for ideal balance and stability. Follow these instructions for any additional adjustment to suit your personal preferences.

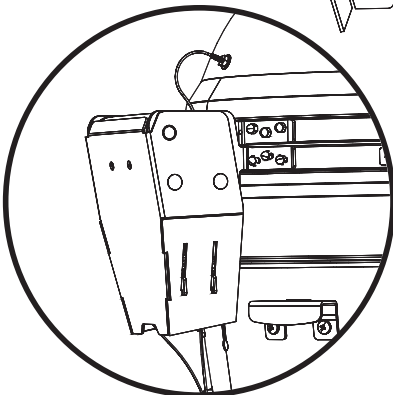
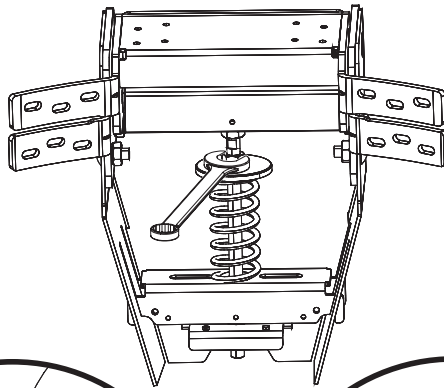
Caution: Air Lift Hinge under high tension.

KONNECTED JOE HINGE

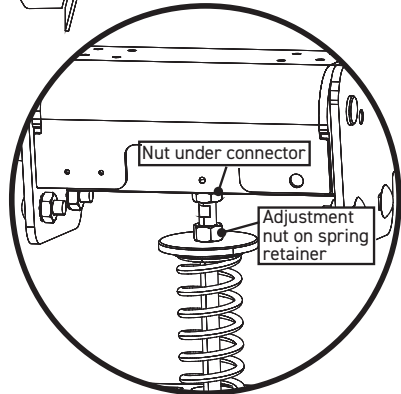
- 1 Open the dome of your Connected Joe grill.
- 2 Place the 17mm wrench on the nut on top of the spring retainer (see Inset 1).
- 3 To make the dome easier to raise, rotate the 17mm wrench clockwise as shown. Remove the wrench and check the dome action for every full rotation of the nut. If you want the dome to feel heavier, rotate the nut counter-clockwise. Remove the wrench and check the dome action for every full rotation of the nut. Do not adjust the nut so that it contacts the nut under the connector (see Inset 1).

HINGE SAFETY INFORMATION

Do not attempt to disassemble the hinge from your grill without the proper hardware. Only minor adjustments to the weight of the dome should be made.



Air Lift Hinge



Inset 1

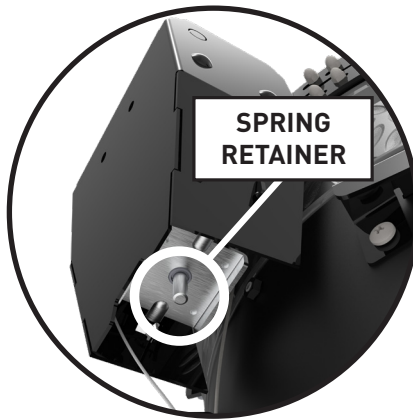
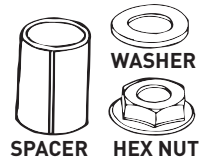
SAFETY INFORMATION DISENGAGEMENT TOOL

HINGE

Do not attempt to disassemble the hinge or loosen the bands from your grill without the disengagement tool kit.

DISENGAGEMENT TOOL

To install the disengagement tool kit, first place the spacer, then washer, then hex nut on the spring retainer on the bottom side of the hinge. Installing the disengagement tool will release the tension on the spring allowing you to remove the hinge or bands safely from the grill

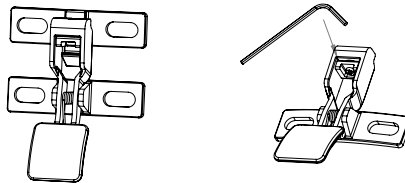


LATCH ADJUSTMENTS

The latch on your Connected Joe is already preset for an ultra-tight seal. Use these instructions if any adjustments should be needed.

KONNECTED JOE LATCH

To tighten and loosen the latch setting, use a small Allen wrench. Adjust the set screw to lower the latch plate and add a spacer. Once a spacer is added, reinstall the latch plate by tightening the set screw.



Cleaning & Care

Your Kamado Joe grill is made of quality materials, so general care and maintenance is minimal. The best way to protect your Kamado Joe from the elements is with a grill cover. Light cracked porcelain called crazing is part of the natural characteristic.

SELF-CLEANING

- 1 Add charcoal and light it.
- 2 Install the Divide & Conquer® flexible cooking rack in the top position and both heat deflectors on the accessory rack.
- 3 Using classic cook mode, open the top and bottom air vents fully and let the temperature inside the grill rise to 600°F (315°C) with the dome closed.
- 4 Hold the temperature at around 600°F (315°C) for 15-20 minutes.
- 5 Close the bottom vent fully and wait another 15-20 minutes to close the top vent.

This process will burn off residue from the inside of your grill. Before cooking again, brush the cooking grates with a standard grill brush. Brush the ceramics and heat deflectors with a soft bristle brush. Scoop or vacuum out all cold ash from the bottom of the grill. During regular use when your heat deflectors get dirty, flip them over for the next cook and the heat will remove the unwanted residue.

Once or twice a year, you should do a more thorough cleaning of the inside of the grill. Remove the firebox panels from the inside of the grill. Remove all ash or debris. Use a soft bristle brush to clean the inside ceramic surface and vacuum all cold debris from the bottom of the grill before replacing the internal components.

GASKET

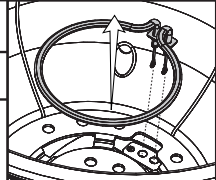
Self-cleaning through natural heat cycle recommended. Do not use chemical based cleaners on the gasket. If absolutely necessary, gently wipe off any spills or moisture. Do not scrub or abrade the gasket if cleaning. Excessive rubbing can cause wear.

SAVE THESE INSTRUCTIONS



Troubleshooting

SYMPTOM	CAUSE	POSSIBLE SOLUTION
Controller not ON	Grill not powered ON	Check switch on rear of grill.
	Controller not powered ON	Press power button on Kontrol Board.
	Not plugged in	Plug cord into rear of grill and into wall outlet.
	Circuit breaker tripped	Check wall outlet circuit breaker and reset if tripped.
Fan not ON	Pit probe has reached the set temperature	Once the set temperature is reached, the fan will turn off. Once the cabinet temperature falls below the set temperature, the fan will restart. The fan will continue adjusting itself automatically to maintain the set temperature.
	Dome lid open	For safety, the fan should not stoke the fire when the lid is open. Once the lid is shut, the fan will continue under normal operation.
	Lid switch not engaged	Your lid switch may not be making contact when your dome is closed. If the dome is closed and the fan is not ON when it should be, you may need a new lid switch.
	ERROR – Max Temp Fault P	See below.
Slow heating	Ash buildup from previous use	Before starting your unit, remove any leftover ash from the firebox and ash drawer that may be left from a previous cook. Ash buildup can prevent proper charcoal ignition.
	Low charcoal	Refill firebox with charcoal.
	Lid open	Close lid.
	Fan not on	See fan not on section.
Element not ON	AFS button not pressed	Ensure AFS button was pressed and button is glowing red.
	Element damaged	Remove element from grill, inspect for any visual damage.
	Element not seated properly	Remove element completely from grill, reconnect element to grill and be sure to fully press element into connectors.
ERROR: Probe Fault - P	Pit probe faulty	Check to ensure pit probe is plugged into rear of the grill.
		Check to ensure pit probe connection is fully seated.
		Check to ensure no debris is in the pit probe jack.
		Unplug the unit from the wall, wait 10seconds and reconnect.
ERROR: Probe Fault - M	Meat probe faulty	Contact Kamado Joe Customer Support.
ERROR: Startup Time-Out	Charcoal failed to ignite. Unit did not reach 150F (65C) in under 10mins	Ensure old ash from previous use is not left in the firebox.
		Ensure the AFS button was pressed and element is working.
		Ensure proper vent placement for classic or automatic mode.
		Ensure charcoal is not empty.
		Restart
ERROR: Max Temp Fault - P	Grill overheated	Turn off grill.
		Check for cause of overheat. - Grease fire - Fan malfunction
		Eliminate cause of overheat.
		Restart grill.
ERROR: Max Temp Fault - M	Meat probe temperature above 300F (149C)	Using protective gloves, remove meat probe from unit.
		Unplug from controller.
		Allow meat probe to cool.



LIMITED WARRANTY

This warranty applies to all Kamado Joe® products.

Limited Lifetime Warranty on Ceramic Parts

Kamado Joe® warrants that key ceramic parts used in this Kamado Joe® grill and smoker are free of defects in material and workmanship for as long as the original purchaser owns the grill.

5-Year Warranty on Metal Parts and Kettle Joe Grills

Kamado Joe® warrants that key metal and cast iron parts used in this Kamado Joe® grill and smoker are free of defects in material and workmanship for a period of five (5) years.

3-Year Warranty on Electronic Components, Heat Deflectors, and Pizza Stones

Kamado Joe® warrants that electronic components of this Kamado Joe® grill and smoker are free of defects in material and workmanship for a period of three (3) years.

2-Year Warranty on Miscellaneous Components and Standalone Accessories

Kamado Joe® warrants that any miscellaneous components used in this Kamado Joe® grill and smoker (including, but not limited to the thermometer, gaskets, and iKamand controllers) or any Kamado Joe accessories are free of defects in material and workmanship for a period of two (2) years.

When Does the Warranty Coverage Begin?

Warranty coverage commences on the original date of purchase and covers only the original purchaser. For the warranty to apply, you must register your Kamado Joe® product using the product registration page on our website. If you discover a defect in material or workmanship during the applicable warranty period under normal use and maintenance, Kamado Joe® will, at our sole option, replace or repair the defective component at no cost to you for the component itself. This warranty does not apply to labor, or any other cost associated with the service, repair or operation of the grill. Kamado Joe will pay all shipping charges on warranty parts.

AUSTRALIAN AND NEW ZEALAND RESIDENTS ONLY: Our goods come with guarantees that cannot be excluded under the Australian Consumer Law. You are entitled to a replacement or refund for a major failure and compensation for any other reasonably foreseeable loss or damage. You are also entitled to have the goods repaired or replaced if the goods fail to be of acceptable quality and the failure does not amount to a major failure.

What is Not Covered?

This warranty does not apply to damage caused by abuse or use of the product for purposes other than that for which it is designed, damage caused by lack of proper use, assembly, maintenance or installation, damages caused by accidents or natural disasters, damage caused by unauthorized attachments or modifications, or damage during transport. This warranty does not cover damage from normal wear and tear from use of the product (for example, scratches, dents, dings and chipping) or changes in the appearance of the grill that do not affect its performance.

THIS LIMITED WARRANTY IS EXCLUSIVE AND IN LIEU OF ANY OTHER WARRANTY, WRITTEN OR ORAL, EXPRESS OR IMPLIED, INCLUDING BUT NOT LIMITED TO THE WARRANTY OF MERCHANTABILITY OR FITNESS FOR A PARTICULAR PURPOSE. THE DURATION OF ANY IMPLIED WARRANTIES, INCLUDING ANY IMPLIED WARRANTY OF MERCHANTABILITY OR FITNESS FOR A PARTICULAR PURPOSE IS EXPRESSLY LIMITED TO THE DURATION OF THE WARRANTY PERIOD FOR THE APPLICABLE COMPONENT.

THE PURCHASER'S EXCLUSIVE REMEDY FOR BREACH OF THIS LIMITED WARRANTY OR OF ANY IMPLIED WARRANTY SHALL BE LIMITED AS SPECIFIED HEREIN TO REPLACEMENT. IN NO CASE SHALL KAMADO JOE® BE LIABLE FOR ANY SPECIAL, INCIDENTAL OR CONSEQUENTIAL DAMAGES.

This warranty is provided to you in addition to all rights and remedies conveyed to you by consumer protection laws and regulations. This warranty in no way affects your legal rights under statutory warranty regulations in your state or country of residence. Depending on your state or country of residence limitations on the length of an implied warranty or the damages available to you might not be limited by this warranty.

What Will Void the Warranty?

Purchasing any Kamado Joe® product through an unauthorized dealer voids the warranty. An unauthorized dealer is defined as any retailer who has not been expressly granted permission by Kamado Joe® to sell Kamado Joe® products.

NEED ASSISTANCE? CONTACT US

Our warranty terms may change from time to time. For an updated version of our warranty, visit www.kamadojoe.com/pages/warranty. For assistance or to request an updated copy of our warranty, contact us at the below.

North America

Kamado Joe ®
Premier Specialty Brands, LLC
5367 New Peachtree Road
Suite 150, Chamblee, GA 30341
Kamadojoe.com/pages/contact-us

European Union

Kamado Joe Europe
Lange Voorhout 86, 2514 EJ
Den Haag, Netherlands
service@kamadojoe.com

United Kingdom

Kamado Joe UK Limited
Cheyenne House
West Street, Farnham
GU9 7EQ
service@kamadojoe.com

KAMADOJOE®
LE FRANÇAIS



AVERTISSEMENT

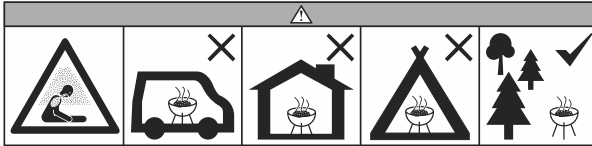


À défaut de suivre ces instructions, un incendie, une explosion ou des brûlures pourraient survenir, entraînant des dommages matériels ou des blessures, voire la mort.



DANGER LIÉ AU MONOXYDE DE CARBONE

- La combustion de copeaux de bois, de morceaux de bois, de granules de bois, de charbon ou de propane dégage du monoxyde de carbone, qui n'a pas d'odeur et peut causer la mort.
- NE brûlez PAS de copeaux de bois, de morceaux de bois, de granules de bois, de charbon ou de propane à l'intérieur d'habitations, de véhicules, de tentes, de garages ou d'espaces fermés.
- **UTILISEZ UNIQUEMENT À L'EXTÉRIEUR avec de bonnes conditions de ventilation.**



AVERTISSEMENTS ET INFORMATIONS RELATIVES À LA SÉCURITÉ

LISEZ TOUTES LES INSTRUCTIONS

AVERTISSEMENT! Ce gril deviendra très chaud. Ne le déplacez pas pendant qu'il fonctionne.

AVERTISSEMENT! N'utilisez pas le gril à l'intérieur!

AVERTISSEMENT! N'utilisez jamais de combustible pour lanterne de type essence, de kérosène, de liquide d'allumage pour charbon ou de liquides similaires pour allumer ou rafraîchir un feu dans ce gril. Gardez tous ces liquides loin du gril pendant son utilisation.

AVERTISSEMENT! Gardez les enfants et les animaux à distance du gril en tout temps. NE laissez PAS les enfants utiliser le gril. Une surveillance attentive est nécessaire si des enfants ou des animaux se trouvent à proximité du gril pendant son utilisation.

AVERTISSEMENT! N'utilisez pas de charbon Match Light!

AVERTISSEMENT! Risque d'incendie! Ne surchauffez pas l'appareil. Si les flammes sortent du gril, il y a surchauffe. La surchauffe peut enflammer le créosote ou endommager le gril.

RESPECTEZ CES DIRECTIVES POUR EMPÊCHER CE GAZ INCOLORE ET INODORE DE VOUS EMPOISONNER, VOUS, VOTRE FAMILLE OU D'AUTRES PERSONNES.

- Connaissez les symptômes d'une intoxication au monoxyde de carbone : maux de tête, vertiges, faiblesse, nausées, vomissements, somnolence et confusion. Le monoxyde de carbone réduit la capacité du sang à transporter l'oxygène. Un faible taux d'oxygène dans le sang peut entraîner une perte de conscience et la mort.
- Consultez un médecin si vous ou d'autres personnes développez des symptômes semblables à ceux du rhume ou la grippe lorsque vous cuisinez ou vous êtes à proximité de cet appareil. L'intoxication au monoxyde de carbone, qui peut facilement être confondue avec le rhume ou la grippe, est souvent détectée trop tard.
- La consommation d'alcool et de drogues augmente les effets de l'intoxication au monoxyde de carbone.

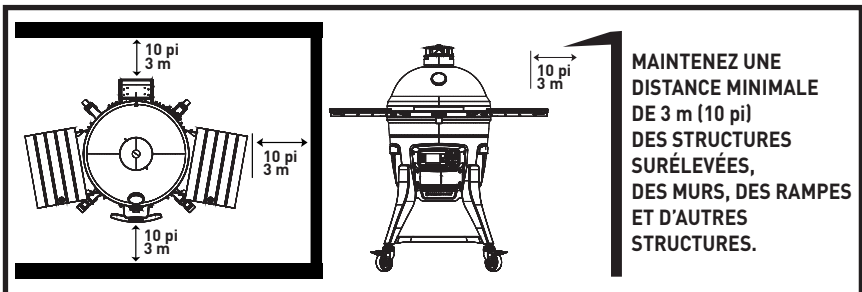
Le monoxyde de carbone est particulièrement toxique pour la mère et l'enfant pendant la grossesse, les nourrissons, les personnes âgées, les fumeurs et les personnes souffrant de problèmes sanguins ou circulatoires, tels que l'anémie ou les maladies cardiaques.

Charbon NON inclus



AVERTISSEMENTS ET INFORMATIONS RELATIVES À LA SÉCURITÉ

- N'utilisez pas le gril dans un espace clos ou habitable, par exemple une maison, une tente, une roulotte, une maison mobile ou un bateau. Danger de décès causé par l'empoisonnement au monoxyde de carbone.
- N'utilisez jamais le gril sous une structure surélevée comme une couverture, un abri pour voiture, une marquise ou un porte-à-faux.
- Utilisez toujours le gril conformément à tous les codes de prévention des incendies municipaux, provinciaux et fédéraux applicables.
- Avant toute utilisation, vérifiez la totalité des écrous, des vis et des boulons afin de vous assurer qu'ils sont bien serrés.
- Ce gril est conçu pour une UTILISATION À L'EXTÉRIEUR SEULEMENT.
- Gardez une distance minimale de 3 m (10 pi) entre l'appareil et tout matériau combustible tel que le bois, les plantes sèches, le gaz, la broussaille, le papier ou la toile.



- Ne placez aucun type d'isolation dans l'espace de dégagement requis autour du gril. Utilisez le gril uniquement de la manière prévue. Ce gril n'est PAS destiné à un usage commercial.
- L'utilisation d'accessoires non fournis par Kamado Joe n'est PAS recommandée et peut provoquer des blessures.
- La consommation d'alcool ou de médicaments, sur ordonnance ou en vente libre, peut affecter la capacité de l'utilisateur à monter le gril ou à le faire fonctionner de manière sûre.
- Conservez toujours un extincteur à portée de la main pendant que vous utilisez le gril.
- Lorsque vous préparez des aliments avec de l'huile ou de la graisse, conservez un extincteur de type BC ou ABC à portée de la main.
- Ne tentez pas d'éteindre un feu d'huile ou de graisse avec de l'eau. Appelez immédiatement les pompiers. Dans certains cas, un extincteur de type BC ou ABC peut contenir le feu.
- Mettez le gril sur une surface stable plate et non combustible comme la terre battue, le béton, la brique ou la pierre. Une surface en asphalte (revêtement hydrocarboné) n'est pas nécessairement acceptable.
- Le gril DOIT être posé sur le sol. Ne placez pas le gril sur une table ou un comptoir. NE déplacez PAS le gril sur des surfaces inégales.
- N'utilisez pas le gril sur des surfaces en bois ou inflammables.
- Gardez le gril à distance de tout matériau combustible comme l'essence ou les autres vapeurs et liquides inflammables.
- Ne laissez pas le gril sans surveillance. Ne permettez à PERSONNE de mener des activités autour du gril pendant ou après son fonctionnement, tant qu'il n'a pas refroidi.
- N'utilisez pas d'accessoires dont l'utilisation avec cet appareil n'est pas indiquée.
- N'utilisez pas de produits dont l'utilisation avec cet appareil n'est pas indiquée.



AVERTISSEMENTS ET INFORMATIONS RELATIVES À LA SÉCURITÉ

- Ne mettez jamais d'articles de cuisine en verre, en plastique en céramique dans le gril. Ne mettez jamais d'articles de cuisine vides dans le gril pendant son utilisation.
- Ne déplacez jamais le gril pendant l'utilisation. Attendez que le gril ait refroidi complètement (température inférieure à 45 °C) avant de le déplacer ou de l'entreposer.
- Ne rangez pas le gril s'il contient encore des cendres ou du charbon chauds. Ne le rangez qu'une fois que le feu est complètement éteint et que toutes les surfaces ont refroidi.
- N'utilisez jamais un gril comme appareil de chauffage. LISEZ LA RUBRIQUE « DANGER LIÉ AU MONOXYDE DE CARBONE ».
- Le gril est CHAUD en cours d'utilisation et restera CHAUD pendant un certain temps ensuite et pendant le refroidissement. Faites preuve de PRUDENCE. Portez des gants de protection ou des gants isolants.
- NE heurtez ou NE percutez PAS le gril pour éviter des lésions personnelles, des dommages au gril ou le renversement ou les éclaboussures de liquide de cuisson chaud.
- Faites preuve de prudence lorsque vous retirez des aliments du gril. Toutes les surfaces sont CHAUDES et peuvent provoquer des brûlures. Portez des gants de protection ou utilisez de solides ustensiles de cuisson à manche long pour vous protéger contre les surfaces chaudes et les éclaboussures.
- Ne touchez pas de surfaces CHAUDES.
- Le gril est chaud pendant son utilisation. Pour éviter les brûlures, gardez le visage et le corps loin des événements et du couvercle lorsque vous l'ouvrez. L'utilisation génère de la vapeur et de l'air chaud.
- Lorsque vous cuisinez à une température supérieure à 175 °C, ouvrez prudemment le gril (ou dépressurisez-le) chaque fois que vous ouvrez le dôme pour empêcher le retour de flamme, c'est-à-dire une vague de chaleur blanche causée par une ruée d'oxygène. Pour éviter une telle situation, ouvrez partiellement le couvercle de 5 à 8 cm et laissez la chaleur s'échapper pendant environ 5 secondes.
- Les entrées d'air sont CHAUDES pendant l'utilisation du gril et la période de refroidissement. Portez des gants de protection lorsque vous les ajustez.
- ATTENTION! Lorsque le gril fonctionne en mode automatique, l'évent inférieur doit toujours être complètement fermé.
- Le gril produit une flamme nue. Gardez les mains, les cheveux et le visage à distance de la flamme. NE vous penchez PAS au-dessus du gril pendant que vous l'allumez. Les cheveux non attachés ou les vêtements amples peuvent s'enflammer.
- N'obstruez PAS la circulation des gaz de combustion ou les orifices de ventilation.
- Ne couvrez pas les grilles de cuisson avec des feuilles métalliques. Cela emprisonne la chaleur et pourrait endommager le gril.
- Ne laissez jamais des cendres ou du charbon CHAUDS sans surveillance.
- Il faut que le combustible reste chauffé au rouge pendant au moins 30 minutes avant l'utilisation.
- Ne cuisinez pas avant que le combustible ne soit couvert d'une couche de cendres.
- N'enlevez pas le bac à cendres lorsque les cendres et le charbon de bois sont CHAUDS.
- Portez des gants de protection lorsque vous manipulez ce gril ou que vous travaillez avec du feu. Utilisez des gants de protection ou des outils longs et résistants lors de l'ajout de bois ou de charbon.
- N'utilisez jamais de liquide d'allumage pour charbon, d'essence, d'alcool ou d'autres fluides extrêmement volatils pour allumer le charbon. Ces liquides peuvent exploser et causer des blessures ou la mort.



AVERTISSEMENTS ET INFORMATIONS RELATIVES À LA SÉCURITÉ

- La quantité maximale de charbon pour le Konnected Joe™ est 2,7 kg (6 lb). Ne remplissez jamais trop la grille à charbon. Cela peut causer des blessures graves et endommager le grill.
- N'utilisez PAS de charbon Match Light.
- Mettez au rebut les cendres froides en les enveloppant dans une feuille d'aluminium, puis en trempant le tout dans de l'eau avant de le jeter dans un récipient non combustible.
- Portez des gants de protection lorsque vous soulevez des objets et faites preuve d'une extrême prudence. Lorsque vous utilisez des appareils électriques, vous devez toujours prendre des précautions de sécurité de base, dont les suivantes : 1) Branchez l'appareil uniquement lorsqu'il est complètement assemblé et prêt à l'emploi. 2) N'utilisez qu'une prise électrique mise à la terre approuvée. 3) N'utilisez pas l'appareil pendant un orage. 4) N'exposez jamais l'appareil à la pluie ou à l'eau.
- Pour vous protéger contre les décharges électriques, n'immergez pas le cordon, les fiches ou le panneau de commande dans de l'eau ou d'autres liquides.
- Ne faites pas fonctionner d'appareil avec une fiche ou un cordon d'alimentation endommagé, après qu'il a présenté un dysfonctionnement ou s'il est endommagé d'une quelconque manière.
- Si le cordon d'alimentation est endommagé, il faut le remplacer par un cordon ou un ensemble spécial que vous pouvez vous procurer auprès du fabricant ou de son agent de service.
- Des cordons de rallonge peuvent être utilisés en faisant preuve de prudence.
- Si vous utilisez un cordon de rallonge : 1) la capacité nominale de la rallonge doit correspondre au minimum à celle de l'appareil, et 2) le cordon doit être disposé de telle sorte qu'il ne pende pas du comptoir ou de la table, ce qui permettrait à des enfants de tirer dessus ou de faire basculer l'appareil intentionnellement.
- La rallonge doit consister en un cordon à 3 fils avec mise à la terre.
- Il faut utiliser des rallonges extérieures avec les appareils destinés à une utilisation en extérieur; les rallonges doivent être marquées d'un « W » accompagné de la mention « Suitable for Use with Outdoor Appliances » (Approuvée pour usage extérieur).
- ATTENTION – Pour réduire le risque de décharge électrique, maintenez la rallonge sèche et hors du sol.
- Ne laissez pas le cordon pendre sur des surfaces chaudes ou les toucher.
- Ne mettez pas l'appareil sur une plaque à gaz ou électrique allumée ou à proximité, ou bien dans un four chaud.
- Pour débrancher l'appareil, tournez le contrôleur sur « OFF », mettez le grill sur « OFF », puis retirez la fiche de la prise.
- Débranchez l'appareil de la prise lorsque vous n'utilisez pas l'appareil et avant de le nettoyer.
- Ne nettoyez pas ce produit avec un système de pulvérisation d'eau ou similaire.
- Faites toujours fonctionner le grill sur une surface plane.
- Cet appareil n'est pas conçu pour être utilisé par des personnes (y compris des enfants) ayant des capacités physiques, sensorielles ou mentales réduites, ou qui manquent d'expérience et de connaissances, sauf si une personne responsable de leur sécurité les supervise ou leur a fourni des instructions concernant l'utilisation sécuritaire de l'appareil.
- Gardez les enfants et les animaux à distance du grill en tout temps. NE laissez PAS les enfants utiliser le grill. Une surveillance attentive est nécessaire si des enfants ou des animaux se trouvent à proximité du grill pendant son utilisation.



EXIGENCES ÉLECTRIQUES

É.-U./CA : Cordon à 3 fils avec mise à la terre, 110-120 V c.a. 4 A, 50/60 HZ, 500 W.

LISTE DES PIÈCES

1. ÉVENT SUPÉRIEUR (1)
2. DÔME DU GRIL (1)
3. GRILLES DE CUISSON EN DEMI-LUNE (2)
4. SUPPORT POUR ACCESSOIRES (1)
5. DÉFLECTEURS DE CHALEUR EN CÉRAMIQUE (2)
6. GRILLE DE CUISSON FLEXIBLE DIVIDE & CONQUER® (1)
7. BAGUE EN ACIER INOXYDABLE DE LA CUVE (1)
8. ÉTAGÈRE DE GAUCHE (1)
9. ÉTAGÈRE DE DROITE (1)
10. CUVE EN CÉRAMIQUE AMP (ADVANCED MULTI-PANEL) (5)
11. RACLOIR À CENDRE (1)
12. PINCE POUR BARBECUE (1)
13. SUPPORTS DE LA TABLETTE LATÉRALE (4)
14. BAC À CENDRES COULISSANT (1)
15. POIGNÉE AVANT (1)
16. CORPS DU KONNECTED JOE (1)
17. PIEDS (4)
18. PLAQUE SUPÉRIEURE (1)
19. PLAQUE INFÉRIEURE (1)
20. ROULETTES PIVOTANTES NON BLOQUANTES (2)
21. ROULETTES PIVOTANTES BLOQUANTES (2)
22. CORDON D'ALIMENTATION (1)
23. TROUSSE DE DÉTACHEMENT DE LA CHARNIÈRE (1)
24. THERMOMÈTRE À VIANDE (1)



INSTALLATION DU GRIL

DÉBALLAGE DU GRIL

- 1 Coupez les bandes de plastique et retirez les panneaux de côté et du dessus du conteneur.
- 2 Mettez la boîte du chariot du grill de côté.
- 3 Ouvrez le dôme et retirez les composants intérieurs du grill. Manipulez les parties internes en céramique avec soin.

GRIL KAMADO JOE AVEC CHARIOT

- 1 Assemblez le chariot du grill.

2 Une fois que les composants intérieurs du grill ont été enlevés, soulevez le grill pour le sortir du contenant et mettez-le dans le chariot. En raison du poids de ce grill, nous vous recommandons fortement d'effectuer cette tâche à deux. Soulevez le grill uniquement par les poignées arrière et latérales. NE soulevez PAS le grill par les supports des tablettes. Portez des gants de protection lorsque vous soulevez des objets et faites preuve d'une extrême prudence.

3 Ajustez le grill dans le chariot de façon que l'évent inférieur fasse face à l'avant du chariot. Le devant du chariot est le côté avec les deux roulettes verrouillables.

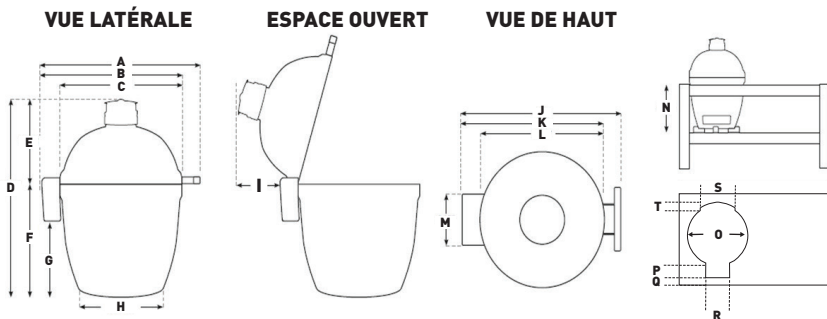
KONNECTED JOE INTÉGRÉ

Veillez utiliser ceci comme un guide général pour l'installation de votre grill en céramique dans une cuisine extérieure intégrée ou une table à grill. Nous recommandons fortement de mesurer le grill réel qui sera installé.

La table doit être fixée au sol ou au mur.

Nous suggérons d'utiliser des matériaux de construction non inflammables.

Le dessin n'est pas à l'échelle.



Pour installer votre Konnected Joe dans une cuisine, un chariot, une table ou un support intégrés, assurez-vous que la surface sur laquelle repose le grill possède une ouverture de 32 cm (12,25 po) de diamètre directement sous le grill pour permettre à l'air frais d'atteindre le fond du grill. Assurez-vous que la surface est non combustible et peut supporter des températures élevées. Assurez-vous que le grill est accessible par l'arrière afin d'avoir accès à l'interrupteur d'alimentation. Faites preuve d'une extrême prudence, les étincelles et les cendres chaudes peuvent atteindre le fond de ce grill.

A	B	C	D	E	F	G	H	I	J	K	L	M	N	O	P	Q	R	S	T
30.3	26.9	22.3	30.7	14.3	16.4	8.4	18.1	1.6	30.3	26.9	22.3	7.8	13.3	22.8	5.5	3.6	9.3	13.3	3

Guide de démarrage rapide



AVERTISSEMENT – N'utilisez jamais de ventilateur et/ou de contrôleur externe.

MISE EN SERVICE

Vous pouvez utiliser votre Konnected Joe en « mode de cuisson classique » ou en « mode de cuisson automatique ». Le mode classique vous offre une expérience de cuisson de style kamado traditionnelle. En mode automatique, votre gril utilise le Kontrol Board™ et le Kontrol Fan™ pour maintenir automatiquement la température pour vous.

MODE CLASSIQUE :

1. Ajoutez du charbon de bois à votre gril et allumez-le en utilisant un ou deux allume-feu. Vous pouvez également allumer le charbon de bois sans allume-feu en appuyant sur le bouton de l'allume-feu automatique (AFA) pour engager l'élément et allumer le charbon de bois. L'élément est allumé lorsque le voyant rouge est allumé. L'élément reste allumé pendant 15 minutes. Appuyez sur le bouton AFA et maintenez-le enfoncé pour éteindre l'élément si vous le souhaitez.
2. Laissez le dôme ouvert pendant environ 10 minutes avec l'évent inférieur entièrement ouvert.
3. Fermez le dôme.
4. Commencez à fermer l'évent supérieur et l'évent inférieur lorsque la température du dôme est à 10 °C (50 °F) de votre température cible.

MODE AUTOMATIQUE :

REMARQUE – La première fois que vous ouvrez le couvercle après avoir allumé le contrôleur, l'écran des accessoires s'affiche. Veuillez vous reporter à la section du mode d'emploi consacrée à l'écran des accessoires.

1. Nettoyez les cendres restantes d'une cuisson précédente dans la cuve. Les vieilles cendres peuvent empêcher le charbon de s'enflammer correctement. Il est recommandé d'utiliser votre racloir à cendre pour gratter et nettoyer la cuve et le bac à cendres. Faites-le pendant que l'appareil est froid.
2. Ajoutez du charbon de bois dans la cuve.
3. Fermez complètement l'évent inférieur. ATTENTION! Lorsque le gril fonctionne en mode automatique, l'évent inférieur doit toujours être complètement fermé.
4. Fermez le dôme.
5. Mettez votre gril en marche à l'aide de l'interrupteur situé à l'arrière. Mettez en marche le contrôleur.
6. Réglez la température sur votre contrôleur et positionnez les événements de la manière décrite.
7. Appuyez sur le bouton AFA (allume-feu automatique) pour engager l'élément afin d'allumer le charbon de bois. L'élément est allumé lorsque le voyant rouge est allumé. L'élément reste allumé pendant 15 minutes. Appuyez de nouveau sur le bouton AFA et maintenez-le enfoncé pour éteindre l'élément si vous le souhaitez.



BOUTON AFA

MAINTIEN DE LA TEMPÉRATURE

MODE CLASSIQUE :

Pour baisser la température, diminuez le débit d'air du gril en fermant les événements. À l'opposé, augmentez la température en les ouvrant. Les ajustements des événements n'ont pas un effet immédiat : prévoyez 10 à 15 minutes pour que le changement prenne effet. Comme votre gril Kamado Joe retient très bien la chaleur, il peut prendre un certain temps pour chauffer complètement. Prévoyez entre 20 et 40 minutes pour que la température du gril se stabilise avant de commencer la cuisson.

MODE AUTOMATIQUE :

ATTENTION! Lorsque le gril fonctionne en mode automatique, l'évent inférieur doit toujours être complètement fermé. Votre Konnected Joe maintient automatiquement la température réglée lorsqu'il fonctionne en mode automatique. Veuillez vous assurer que votre événement supérieur est réglé comme indiqué sur le Kontrol Board.

Il ne faut PAS installer de déflecteurs de chaleur lorsque les températures sont supérieures à 204 °C (400 °F). Pour maintenir des températures inférieures à 204 °C (400 °F), il est préférable de cuisiner avec les déflecteurs de chaleur installés.

REFROIDISSEMENT DU GRIL

MODE CLASSIQUE :

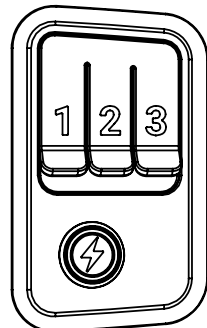
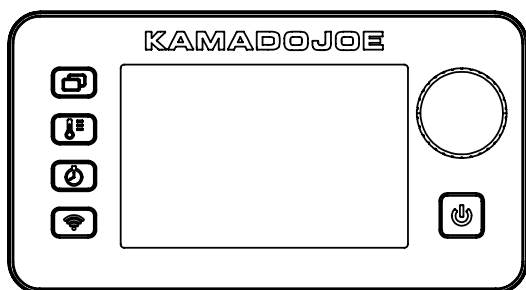
1. Lorsque vous avez fini de cuisiner, fermez entièrement l'évent inférieur.
2. Dès que la température est tombée à moins de 205 °C (400 °F), fermez l'évent supérieur.
3. Ne couvrez pas le gril si le dôme est encore chaud.

MODE AUTOMATIQUE :

1. Une fois la cuisson terminée, éteignez votre contrôleur et mettez votre gril hors tension.
2. Gardez l'évent inférieur complètement fermé.
3. Dès que la température est tombée à moins de 205 °C (400 °F), fermez l'évent supérieur.
4. Ne couvrez pas le gril si le dôme est encore chaud.

KONTROL BOARD™

3 THERMOMÈTRE À VIANDE



Mise en marche – Appuyez sur le bouton pour mettre le contrôleur en marche. Appuyez sur le bouton et tenez-le enfoncé pour éteindre le contrôleur.



AFA (allume-feu automatique) – Appuyez sur le bouton pour engager l'élément qui allume le charbon de bois. L'élément est allumé lorsque le voyant rouge est allumé. L'élément reste allumé pendant 15 minutes. Appuyez de nouveau sur le bouton AFA et maintenez-le enfoncé pour éteindre l'élément si vous le souhaitez.



Cycle d'écran – Appuyez sur le bouton pour faire défiler les différentes vues du contrôleur.



Bouton de réglage de la température – Appuyez sur le bouton. Tournez le bouton sur la température voulue. Appuyez de nouveau sur le bouton pour régler la température.



Réglage de la durée :

Minuterie de compte à rebours

1. Appuyez sur le bouton.
2. Tournez le bouton sur le nombre d'heures voulu.
3. Appuyez sur le bouton pour régler les heures.
4. Tournez le bouton sur le nombre de minutes voulu.
5. Appuyez sur le bouton pour régler les minutes.
Le compte à rebours commencera.
6. Appuyez sur le bouton pour interrompre et reprendre la minuterie.
7. Appuyez sur le bouton et tenez-le enfoncé pour réinitialiser le compte à rebours.

Minuterie croissante

1. Appuyez sur le bouton et tenez-le enfoncé.
2. La minuterie commencera le chronométrage à partir de 00:00. La minuterie présentera le chronométrage par minutes:secondes, puis par heures:minutes.
3. Appuyez sur le bouton pour interrompre et reprendre la minuterie.
4. Appuyez sur le bouton et tenez-le enfoncé pour réinitialiser le compte à rebours.

Mode économiseur d'écran :

Appuyez sur le bouton de cycle d'écran et maintenez-le enfoncé pour activer le mode économiseur d'écran. En mode économiseur d'écran, toutes les températures et minuteries réglées restent actives. L'écran devient noir et le logo Kamado Joe s'affiche faiblement à l'écran. Pour quitter le mode économiseur d'écran, appuyez sur n'importe quelle touche. Le mode économiseur d'écran est également désactivé si une sonde à viande a atteint la température de consigne, la durée d'une minuterie précédemment réglée s'est écoulée, le statut de couvercle ouvert est activé ou un message d'erreur est déclenché.

Mode accessoire :

La première fois que vous ouvrez le couvercle après avoir allumé le contrôleur, l'écran des accessoires s'affiche. Si vous souhaitez utiliser l'un des accessoires répertoriés, appuyez sur le bouton du contrôleur correspondant à l'accessoire en question; si vous ne souhaitez pas utiliser d'accessoire, fermez le couvercle. L'accessoire sélectionné devrait s'afficher dans le coin supérieur droit de votre écran dans tous les modes, sauf le mode graphique. Reprenez l'utilisation normale de votre contrôleur pour régler vos températures, minuteries et sondes à viande.

Plaque de cuisson complète :

Veillez noter que le mode accessoire de la plaque de cuisson complète est destiné à être utilisé avec une plaque de cuisson qui remplit toute la surface de cuisson. Faites fonctionner le grill dans des conditions normales pour une surface de cuisson en demi-lune. Lorsque vous utilisez une plaque de cuisson, il est préférable de fermer le couvercle afin que le grill puisse réguler la température.



Appairage du gril à vos appareils intelligents (BLUETOOTH + WIFI) :

1. Téléchargez l'appli Kamado Joe à partir de l'App Store de Apple ou du Google Play Store sur votre ou vos appareils intelligents.

REMARQUE – En fonctionnement normal, l'application peut présenter un léger décalage par rapport aux relevés du contrôleur de votre gril.

2. Une fois le téléchargement terminé, ouvrez l'appli Kamado Joe et suivez les instructions pour appairer votre gril Bluetooth + WIFI et vos appareils intelligents.

REMARQUE : Veuillez vous assurer que votre réseau WiFi est capable de fonctionner à 2,4 GHz.

Si vous avez un routeur à double bande (2,4 GHz et 5 GHz), choisissez le réseau 2,4 GHz. Les deux réseaux doivent avoir des noms différents pour garantir un bon appairage.

Cet appareil est conforme à la partie 15 du règlement de la FCC. Le fonctionnement est soumis aux deux conditions suivantes :

1. cet appareil ne doit pas causer d'interférences nuisibles;
2. cet appareil doit accepter toute interférence reçue, y compris des interférences qui peuvent provoquer un fonctionnement non désiré. Essayez de corriger l'interférence en prenant une ou plusieurs des mesures suivantes :

Avertissement de la FCC

Avertissement : Tout changement ou toute modification non expressément approuvés par la partie responsable de la conformité peut annuler l'autorisation de l'utilisateur à utiliser ce gril.

Déclaration de la FCC

Cet appareil a été testé et est conforme aux limites imposées aux dispositifs numériques de classe B, conformément à la section 15 des règlements du FCC. Ces limites sont conçues pour offrir une protection raisonnable contre les interférences nuisibles dans une installation résidentielle. Cet appareil génère, utilise et peut émettre une énergie radiofréquence et peut, s'il n'est pas installé et utilisé selon les consignes, causer des interférences nuisibles aux communications radio.

Cependant, il n'y a aucune garantie que des interférences ne se produiront pas dans une installation donnée. Si cet appareil cause des interférences nuisibles à la réception des signaux de radio ou de télévision, ce qui peut être déterminé en allumant et en éteignant l'appareil, on encourage l'utilisateur à essayer de corriger ces interférences par l'un des moyens suivants :

1. Réorienter l'antenne réceptrice ou la placer à un autre endroit.
2. Augmenter la distance entre l'appareil et le récepteur.
3. Brancher l'appareil dans une prise de courant se trouvant sur un circuit électrique autre que celui auquel il est branché actuellement.
4. Communiquer avec un technicien radio/télévision pour obtenir de l'aide.

Remarque : Si vous perdez la connexion, le gril continuera à fonctionner comme il a été programmé. Le gril peut être contrôlé à partir du panneau de commande en cas de défaillance de l'appairage ou de la connexion.

Émetteur sans fil

Caractéristiques de l'émetteur et du WiFi = RF 0 dBm / 2412-2484 MHz

AJUSTEMENT DE LA CHARNIÈRE « AIR LIFT »

La charnière « Air Lift » de votre **Connected Joe** est préajustée pour vous offrir équilibre et stabilité. Pour tout ajustement supplémentaire convenant mieux à vos préférences personnelles, veuillez suivre ces instructions.

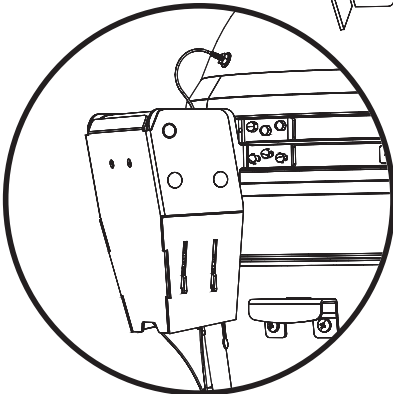
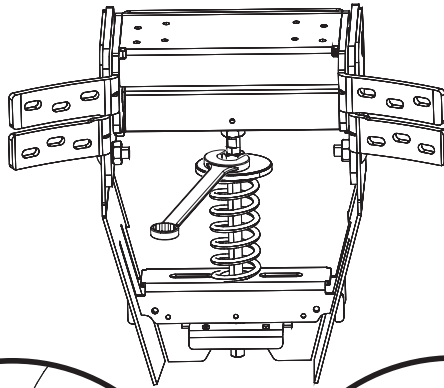
Attention : La charnière « Air Lift » est sous tension.

CHARNIÈRE KONNECTED JOE

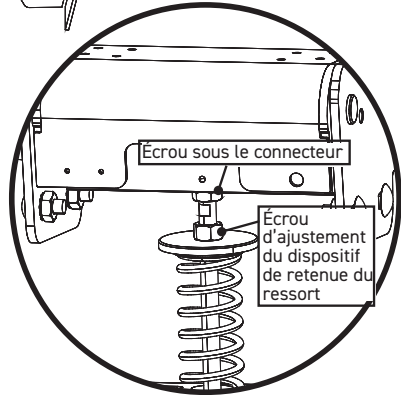
- 1 Ouvrez le dôme de votre gril **Connected Joe**.
- 2 Placez la clé de 17 mm sur l'écrou du dispositif de retenue du ressort (voir l'encart 1).
- 3 Pour rendre le dôme plus facile à soulever, faites tourner la clé de 17 mm dans le sens des aiguilles d'une montre, de la façon illustrée. Retirez la clé et vérifiez le mouvement du dôme pour chaque rotation complète de l'écrou. Si vous voulez que le dôme semble plus lourd, tournez l'écrou dans le sens contraire des aiguilles d'une montre. Retirez la clé et vérifiez le mouvement du dôme pour chaque rotation complète de l'écrou. N'ajustez pas l'écrou de façon qu'il entre en contact avec l'écrou situé sous le connecteur (voir l'encart 1).

INFORMATIONS RELATIVES À LA SÉCURITÉ DE LA CHARNIÈRE

Ne tentez pas de démonter la charnière de votre gril sans le matériel approprié. Seuls des ajustements mineurs au poids du dôme devraient être effectués.



Charnière « Air Lift »



Encart 1

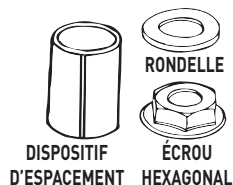
INFORMATION SUR LA SÉCURITÉ POUR L'OUTIL DE DÉTACHEMENT

CHARNIÈRE

Ne tentez pas de démonter la charnière ou de desserrer les bandes de votre gril sans utiliser la trousse d'outil de détachement de la charnière.

OUTIL DE DÉTACHEMENT

Pour installer la trousse d'outil de détachement, placez d'abord le dispositif d'espacement, puis la rondelle, puis l'écrou hexagonal sur le dispositif de retenue du ressort sur le côté inférieur de la charnière. L'installation de l'outil de détachement libère la tension du ressort, ce qui vous permet de retirer la charnière ou les bandes du gril en toute sécurité.

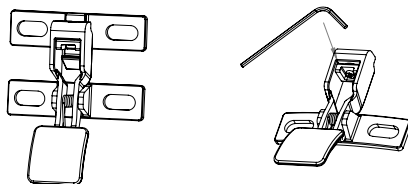


AJUSTEMENTS DU LOQUET

Le loquet de votre Konnected Joe est préréglé pour un joint d'étanchéité ultraserré. Pour tout ajustement supplémentaire, veuillez suivre ces instructions.

LOQUET DU KONNECTED JOE

Pour serrer ou desserrer le loquet, utilisez une petite clé Allen. Ajustez l'écrou de réglage pour baisser la plaque du loquet et ajouter le dispositif d'espacement. Une fois le dispositif d'espacement installé, réinstallez la plaque du loquet en serrant l'écrou de réglage.



Nettoyage et entretien

Nous avons conçu et fabriqué votre gril Kamado Joe avec des matériaux de qualité afin de réduire au minimum l'entretien et le nettoyage généraux. La meilleure façon de protéger votre Kamado Joe contre les éléments consiste à utiliser une housse. Les légères craquelures de la porcelaine constituent une caractéristique naturelle.

AUTONETTOYAGE

- 1 Ajoutez du charbon de bois et allumez-le.
- 2 Installez la grille de cuisson flexible Divide & Conquer® sur la position supérieure, et les deux déflecteurs de chaleur sur le support pour accessoires.
- 3 En mode de cuisson classique, ouvrez complètement les événements supérieur et inférieur et laissez la température à l'intérieur du gril s'élever à 315 °C (600 °F) avec le dôme fermé.
- 4 Maintenez la température à environ 315 °C (600 °F) pendant 15 à 20 minutes.
- 5 Fermez complètement l'événement inférieur, attendez 15 à 20 minutes de plus et fermez l'événement supérieur.

Ce processus brûlera le résidu logé à l'intérieur du gril. Avant de cuisiner à nouveau, brossez les grilles de cuisson avec une brosse à gril standard. Brossez les pièces en céramique et les déflecteurs de chaleur avec une brosse à soies souples. Retirez ou aspirez toutes les cendres froides du fond du gril. Lorsque vous utilisez régulièrement le gril, si vos déflecteurs de chaleur se salissent, retournez-les pour la prochaine cuisson, et la chaleur éliminera les résidus indésirables.

Une ou deux fois l'an, vous devriez faire un plus gros nettoyage de l'intérieur du gril. Retirez les panneaux de la cuve de l'intérieur du gril. Enlevez toutes les cendres ou tous les débris. Utilisez une brosse à soies souples en plastique pour nettoyer la surface intérieure de céramique, et aspirez les débris du fond du gril avant de replacer les composants internes.

JOINT D'ÉTANCHÉITÉ

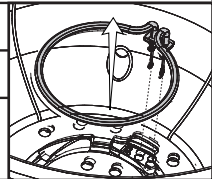
Un autonettoyage avec le cycle de chaleur naturelle est recommandé. N'utilisez pas de nettoyants à base de produits chimiques sur le joint d'étanchéité. Si c'est absolument nécessaire, essayez doucement les renversements ou l'humidité. Ne frottez pas ou n'abrayez pas le joint pendant le nettoyage. Un frottage excessif peut causer de l'usure.

CONSERVEZ CES INSTRUCTIONS



Dépannage

SYMPTÔME	CAUSE	SOLUTION POSSIBLE
Le contrôleur n'est pas allumé	Le gril n'est pas sous tension	Vérifiez l'interrupteur à l'arrière du gril.
	Le contrôleur n'est pas sous tension	Appuyez sur le bouton d'alimentation du Kontrol Board.
	L'appareil n'est pas branché.	Branchez le cordon à l'arrière du gril et dans une prise murale.
	Le coupe-circuit a sauté	Vérifiez le disjoncteur de la prise murale et réinitialisez-le s'il s'est déclenché.
Le ventilateur n'est pas en marche.	La sonde a atteint la température réglée	Une fois la température réglée atteinte, le ventilateur s'éteint. Lorsque la température de l'armoire tombe sous la température réglée, le ventilateur se remet en marche. Le ventilateur continue à s'ajuster automatiquement pour maintenir la température réglée.
	Le dôme du gril est ouvert	Par sécurité, le ventilateur ne doit pas alimenter le feu lorsque le couvercle est ouvert. Une fois le couvercle fermé, le ventilateur continue à fonctionner normalement.
	L'interrupteur du couvercle n'est pas enclenché	Il se peut que votre interrupteur de couvercle ne soit pas en contact lorsque votre dôme est fermé. Si le dôme est fermé et que le ventilateur n'est pas allumé alors qu'il devrait l'être, vous avez peut-être besoin d'un nouvel interrupteur de couvercle.
	ERREUR - Défaut de température maximale P	Voir ci-dessous.
Le chauffage est lent	Des cendres se sont accumulées après une utilisation antérieure	Avant de mettre votre appareil en marche, retirez de la cuve et du bac à cendre tous les restes de cendres qui pourraient provenir d'une cuisson précédente. L'accumulation de cendres peut empêcher l'allumage correct du charbon de bois.
	La quantité de charbon est basse	Rajoutez du charbon dans la cuve.
	Le couvercle est ouvert	Fermez le couvercle.
	Le ventilateur n'est pas en marche	Voir la section « Le ventilateur n'est pas en marche »
L'élément ne s'allume pas	Le bouton AFA n'est pas enfoncé	Assurez-vous que le bouton AFA a été enfoncé et qu'il rougeoit.
	L'élément est endommagé	Retirez l'élément du gril et vérifiez qu'il n'y a pas de dommage visuel.
	L'élément n'est pas correctement positionné	Retirez complètement l'élément du gril, reconnectez l'élément au gril et assurez-vous de bien enfoncer l'élément dans les connecteurs.
ERREUR : Défaut de la sonde - P	La sonde de température est défectueuse	Vérifiez que la sonde de température est branchée à l'arrière du gril.
		Vérifiez que le raccord de la sonde de température est bien enfoncé.
		Vérifiez qu'aucun débris ne se trouve dans la prise de la sonde de température.
		Débranchez l'appareil du mur, attendez 10 secondes et rebranchez-le.
ERREUR : Défaut de la sonde - M	Le thermomètre à viande est défectueux	Communiquez avec le service à la clientèle de Kamado Joe.
ERREUR : Délai de démarrage	Le charbon ne s'allume pas. L'appareil n'a pas atteint 65 °C (150 °F) en moins de 10 minutes.	Veillez à ne pas laisser les cendres d'une utilisation précédente dans la cuve.
		Assurez-vous que le bouton AFA a été enfoncé et que l'élément fonctionne.
		Veillez à placer correctement l'évent pour le mode classique ou automatique.
		Assurez-vous qu'il y a du charbon.
		Redémarrez.
ERREUR : Défaut de température maximale - P	Le gril a surchauffé.	Éteignez le gril.
		Cherchez la cause de la surchauffe. <ul style="list-style-type: none"> - Feu de graisse - Défaut du ventilateur
		Éliminez la cause de la surchauffe.
		Remettez le gril en marche.
ERREUR : Défaut de température maximale - M	La température du thermomètre à viande est supérieure à 149 °C (300 °F)	En portant des gants de protection, retirez le thermomètre à viande de l'appareil.
		Débranchez-le du contrôleur.
		Laissez refroidir le thermomètre à viande.



GARANTIE LIMITÉE

Cette garantie s'applique à tous les produits Kamado Joe®.

Garantie à vie limitée sur les pièces en céramique

Kamado Joe garantit que les principales pièces en céramique utilisées dans ce barbecue et ce fumoir Kamado Joe® seront exemptes de défauts de matériel et de fabrication tant et aussi longtemps que le propriétaire d'origine possède le barbecue.

Garantie de 5 ans sur les pièces en métal et les grils Kettle Joe

Kamado Joe® garantit que les principales pièces en métal et en fonte utilisées dans ce gril et fumoir Kamado Joe® seront exemptes de défauts de matériel et de fabrication pendant cinq (5) ans.

Garantie de 3 ans sur les composants électroniques, les déflecteurs de chaleur et les plaques à pizza

Kamado Joe® garantit que les composants électroniques de ce barbecue et ce fumoir Kamado Joe® seront exemptes de défauts de matériel et de fabrication pendant trois (3) ans.

Garantie de 2 ans sur les composants divers et les accessoires autonomes

Kamado Joe® garantit que les composants divers utilisés dans ce gril et fumoir Kamado Joe® (y compris, notamment, le thermomètre, les joints d'étanchéité et les contrôleurs iKamand), et les accessoires Kamado Joe seront exemptes de défauts de matériel et de fabrication pendant deux (2) ans.

Quand commence la couverture de garantie?

La couverture de garantie commence à la date de l'achat original et couvre seulement le propriétaire d'origine. Pour que la garantie s'applique, vous devez enregistrer votre produit Kamado Joe® utilisant la page d'enregistrement du produit sur notre site Web. Si vous découvrez un défaut de matériel ou de fabrication durant la période de garantie applicable dans des conditions normales d'utilisation et d'entretien, Kamado Joe® remplacera ou réparera, à son entière discrétion, le composant défectueux sans vous facturer de frais pour le composant lui-même. Cette garantie ne s'applique pas à la main-d'œuvre ou à tout autre coût associé à l'entretien, à la réparation ou au fonctionnement du barbecue. Kamado Joe paiera tous les frais d'expédition des pièces sous garantie.

RÉSIDENTS DE L'AUSTRALIE ET DE LA NOUVELLE-ZÉLANDE SEULEMENT : Nos marchandises sont associées à une garantie dont l'exclusion est interdite par l'*Australian Consumer Law*. Vous avez droit au remplacement ou au remboursement des marchandises en cas de défaillance majeure et à une rémunération de toute autre perte ou de tout autre dommage raisonnablement prévisible. Vous avez également droit à la réparation ou au remboursement du produit si sa qualité n'est pas acceptable sans que la défaillance soit majeure.

Exclusions de la couverture

Cette garantie ne s'applique pas aux dommages causés par l'abus du produit ou son utilisation à des fins autres que celles pour lesquelles le gril a été conçu, aux dommages causés par une mauvaise utilisation ou installation ou par un assemblage ou un entretien inadéquats, aux dommages causés par des accidents ou des catastrophes naturelles, aux dommages causés par des modifications ou des attachements non autorisés, ou aux dommages subis durant le transport. Cette garantie ne couvre pas les dommages résultant de l'usure normale d'utilisation (par exemple les rayures, les coups, les bosses et l'écaillage) ou les changements dans l'apparence du gril qui n'affectent pas sa performance.

CETTE GARANTIE LIMITÉE EXCLUSIVE REMPLACE TOUTE AUTRE GARANTIE, ÉCRITE OU VERBALE, EXPRESSE OU IMPLICITE, INCLUANT, NOTAMMENT, LA GARANTIE DE QUALITÉ MARCHANDE OU D'ADAPTATION À UN USAGE PARTICULIER. LA DURÉE DE TOUTE GARANTIE IMPLICITE, INCLUANT TOUTE GARANTIE IMPLICITE DE QUALITÉ MARCHANDE OU D'ADAPTATION À UN USAGE PARTICULIER, EST EXPRESSÉMENT LIMITÉE À LA DURÉE DE LA PÉRIODE DE GARANTIE POUR LE COMPOSANT APPLICABLE.

LE RECOURS EXCLUSIF DU PROPRIÉTAIRE POUR LA VIOLATION DE CETTE GARANTIE LIMITÉE OU DE TOUTE GARANTIE IMPLICITE SERA LIMITÉ AU REMPLACEMENT, TEL QUE SPÉCIFIÉ PAR LA PRÉSENTE GARANTIE. KAMADO JOE® NE SERA TENU RESPONSABLE EN AUCUN CAS DES DOMMAGES PARTICULIERS, ACCESSOIRES OU CONSÉCUTIFS.

Cette garantie vous est fournie en plus de tous les droits et recours qui vous sont conférés par les lois et les règlements de protection des consommateurs. Cette garantie n'affecte en rien vos droits légaux en vertu des règlements sur les garanties légales dans votre État ou votre pays de résidence. Selon votre État ou votre pays de résidence, les limitations de la durée d'une garantie implicite ou les dommages-intérêts dont vous disposez peuvent ne pas être applicables à cette garantie.

Annulation de la garantie

L'achat de tout produit Kamado Joe® chez un détaillant non autorisé annule la garantie. Un détaillant non autorisé est défini comme étant tout détaillant n'ayant pas été expressément autorisé par Kamado Joe® pour vendre les produits Kamado Joe®.

BESOIN D'AIDE? COMMUNIQUEZ AVEC NOUS

Nos conditions de garantie peuvent être modifiées de temps à autre. Pour obtenir une version à jour de notre garantie, rendez-vous sur le site www.kamadोजoe.com/pages/warranty. Pour toute assistance ou pour demander une copie à jour de notre garantie, communiquez avec nous à l'adresse ci-dessous.

North America

Kamado Joe ®
Premier Specialty Brands, LLC
5367 New Peachtree Road
Suite 150, Chamblee, GA 30341
Kamadोजoe.com/pages/contact-us

European Union

Kamado Joe Europe
Lange Voorhout 86, 2514 EJ
Den Haag, Netherlands
service@kamadोजoe.com

United Kingdom

Kamado Joe UK Limited
Cheyenne House
West Street, Farnham
GU9 7EQ
service@kamadोजoe.com

KAMADOJOE®
ESPAÑOLA



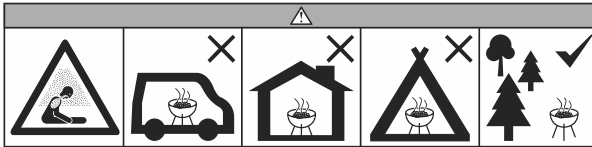
ADVERTENCIA

Si no sigue estas instrucciones, podría producirse un peligro de incendio, explosión o quemadura, lo cual podría causar daños a la propiedad, lesiones personales o la muerte.



PELIGRO DE MONÓXIDO DE CARBONO

- Quemar trozos de madera, leños de madera, perlas de madera, carbón vegetal y propano produce monóxido de carbono que no tiene olor y puede causar la muerte.
- NO quemar trozos de madera, leños de madera, perlas de madera, carbón vegetal o propano dentro de viviendas, vehículos, tiendas para camping, garajes o cualquier área cerrada.
- **USE SOLAMENTE AL AIRE LIBRE donde está bien ventilado.**



ADVERTENCIAS Y SALVAGUARDAS IMPORTANTES LEA TODAS LAS INSTRUCCIONES

¡ADVERTENCIA! Esta parrilla se tornará muy caliente. No la mueva mientras esté en funcionamiento.

¡ADVERTENCIA! ¡No usar en interiores!

¡ADVERTENCIA! Nunca use combustible para linternas tipo gasolina, kerosene, líquido de encendedor de carbón o líquidos similares para encender o mantener el fuego en esta parrilla. Mantenga dichos líquidos bien alejados de la parrilla cuando esté en uso.

¡ADVERTENCIA! Mantenga a los niños y mascotas lejos de la parrilla en todo momento. NO permita que los niños usen la parrilla. Es necesaria una supervisión cercana cuando haya niños o mascotas en el área donde se usa la parrilla.

¡ADVERTENCIA! ¡No use carbón para encendido con fósforos!

¡ADVERTENCIA! ¡Riesgo de incendio! No encienda demasiado fuego. Cuando la llama sale fuera de la parrilla, quiere decir que hay demasiado fuego. Demasiado fuego puede encender creosota o dañar la parrilla.

SIGA ESTAS PAUTAS PARA EVITAR QUE ESTE GAS INCOLORO E INODORO LO INTOXIQUE A USTED, A SU FAMILIA O A OTRAS PERSONAS.

- Identifique los síntomas de intoxicación por monóxido de carbono: dolor de cabeza, mareos, debilidad, náuseas, vómitos, somnolencia y confusión. El monóxido de carbono reduce la capacidad de la sangre de transportar oxígeno. Los niveles bajos de oxígeno en la sangre pueden provocar pérdida de la consciencia y muerte.
- Consulte con un médico si usted u otras personas desarrollan síntomas similares a una gripe o resfrío mientras cocina cerca de este artefacto. La intoxicación por monóxido de carbono, la cual puede confundirse con una gripe o resfrío, con frecuencia se detecta demasiado tarde.
- El consumo de alcohol y medicinas aumenta los efectos de la intoxicación por monóxido de carbono.

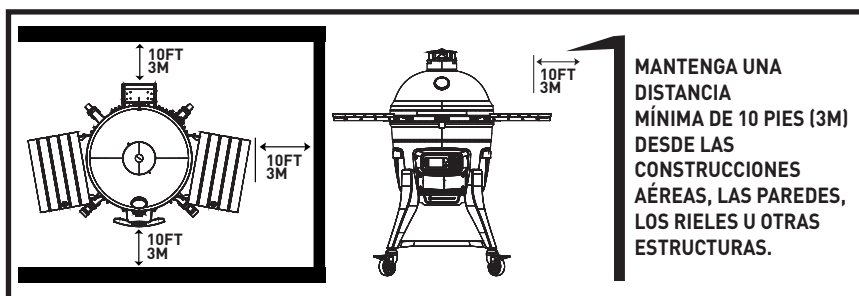
El monóxido de carbono es especialmente tóxico para la madre y el bebé durante el embarazo, los niños, los ancianos, los fumadores y las personas con problemas en la sangre o del sistema circulatorio, como asma o enfermedad cardíaca.

Carbón vegetal NO incluido



ADVERTENCIAS Y SALVAGUARDAS IMPORTANTES

- No use la parrilla en un espacio confinado y/o habitable, p. ej. en casas, tiendas, remolques, casas rodantes, botes. Peligro: Muerte por envenenamiento por monóxido de carbono.
- Nunca opere la parrilla bajo ninguna construcción aérea, como cubiertas de techos, porches de autos, toldos o voladizos.
- Siempre use la parrilla en conformidad con todos los códigos contra incendios locales, estatales y federales aplicables.
- Antes de cada uso, verifique todas las tuercas, tornillos y pernos para asegurarse que estén firmes y asegurados.
- La parrilla es SOLO PARA USO EN EXTERIORES.
- Mantenga un mínimo de 10 pies (3m) de espacio libre de todos los materiales combustibles como madera, plantas secas, césped, escobillas, papel o lienzos.
- No coloque ningún tipo de aislamiento en el espacio libre requerido alrededor de la parrilla. Nunca use la parrilla para ninguna otra cosa que no sea su propósito intencionado. Esta parrilla NO es para uso comercial.



- NO se recomienda usar accesorios adicionales no suministrados por Kamado Joe; estos podrían causar lesiones.
- El uso de alcohol y de medicamentos con o sin receta pueden obstaculizar la habilidad del usuario de ensamblar u operar la parrilla.
- Conserve un extintor de incendios accesible en todo momento mientras opere la parrilla.
- Cuando cocine con aceite o grasa, tenga un extintor tipo BC o ABC a disponibilidad.
- En caso de un incendio de aceite o grasa, no intente extinguirlo con agua. Llame inmediatamente al departamento de bomberos. En ciertos casos, un extintor tipo BC o ABC puede contener el incendio.
- Use la parrilla sobre una superficie no combustible y estable tal como tierra, concreto, ladrillo o piedra. Mejor no utilizar una superficie de asfalto (bituminosa) para este propósito.
- La parrilla DEBE estar sobre el suelo. No coloque la parrilla en mesas o mostradores. NO mueva la parrilla por superficies desniveladas.
- No use la parrilla en superficies de madera o inflamables.
- Mantenga la parrilla despejada y libre de materiales combustibles, como gasolina y otros vapores y líquidos inflamables.
- No deje la parrilla desatendida. NO permita que nadie realice actividades alrededor de la parrilla durante o después de su uso hasta que se haya enfriado.
- No utilice accesorios no especificados para su uso con este aparato.
- No utilice productos no especificados para su uso con este horno.
- Nunca use recipientes de vidrio, plástico o cerámica en la parrilla. Nunca coloque utensilios vacíos en la parrilla mientras esté en uso.
- Nunca mueva la parrilla cuando esté en uso. Deje que la parrilla se enfríe completamente (por debajo de los 115°F (45°C) antes de moverla o guardarla.



ADVERTENCIAS Y SALVAGUARDAS IMPORTANTES

- No almacene la parrilla con carbón o cenizas calientes dentro de ella. Almacene únicamente cuando el fuego esté totalmente apagado y todas las superficies estén frías.
- Nunca use la parrilla como un calentador. LEA PELIGRO DEL MONÓXIDO DE CARBONO.
- La parrilla está CALIENTE mientras está en uso y permanecerá CALIENTE por un cierto período de tiempo y durante el proceso de enfriamiento. Tenga PRECAUCIÓN. Use guantes/mitones de protección.
- NO choque o golpee la parrilla para evitar lesiones personales, daños a la parrilla o derrames/salpicaduras del líquido de cocción caliente.
- Tenga cuidado cuando retire los alimentos de la parrilla. Todas las superficies están CALIENTES y pueden causar quemaduras. Use guantes/mitones de protección o herramientas de cocción resistentes para protegerse de las superficies calientes o las salpicaduras de los líquidos de la cocción.
- No toque las superficies CALIENTES.
- La parrilla está CALIENTE durante su uso. Para evitar quemaduras, mantenga el rostro y cuerpo lejos de ductos cuando abra la tapa. Se expelen vapor y aire caliente durante el uso.
- Cuando cocine por encima de los 350°F (175°C), abra cuidadosamente la parrilla (o deje que la parrilla "eructe") cada vez que levante su domo para evitar estallidos, un disparo de calor caliente blanco provocado por una ráfaga de oxígeno. Abrir parcialmente la tapa 2-3 pulgadas (5-8 cm) y dejar que el calor se escape por unos 5 segundos ("hacer eructar" la parrilla) debería evitar esto.
- Los reguladores de aire están CALIENTES mientras la parrilla esté en uso y durante el enfriamiento. Use guantes protectores cuando realice ajustes.
- ¡ATENCIÓN! Cuando la parrilla funcione en modo automático, el ducto inferior debe estar completamente cerrado en todo momento.
- La parrilla tiene una llama abierta. Mantenga las manos, cabello y rostro lejos de la llama. NO se incline sobre la parrilla mientras la esté encendiendo. El cabello y la ropa sueltos pueden incendiarse.
- NO obstruya el flujo de combustión y ventilación.
- No cubra las rejillas de cocción con papel aluminio. Esto atraparará el calor y podría causar daños a la parrilla.
- Nunca desatienda el carbón o las cenizas CALIENTES.
- El combustible debe mantenerse al rojo vivo al menos por 30 minutos antes de su uso.
- No cocine antes que el combustible tenga una cubierta de cenizas.
- No retire la bandeja para cenizas mientras las cenizas y el carbón estén CALIENTES.
- Use guantes protectores cuando manipule esta parrilla o cuando trabaje con fuego. Use guantes protectores o herramientas largas y robustas cuando agregue madera o carbón vegetal.
- Nunca use líquido de encendido de carbón, gasolina, alcohol u otros líquidos altamente volátiles para encender el carbón vegetal. Estos fluidos pueden explotar y causar lesiones o la muerte.
- La cantidad máxima de carbón vegetal para el Konnected Joe™ es de 6 lbs. (2.7 kg.). Nunca llene demasiado la rejilla del carbón. Esto puede ocasionar lesiones graves así como dañar la parrilla.
- NO use carbón para encendido con fósforos.
- Deseche las cenizas frías colocándolas en papel aluminio, remojándolas en agua y desechándolas en un contenedor no combustible.
- Use guantes protectores cuando la levante y precaución extrema. Cuando use artefactos eléctricos, siempre se deben seguir las precauciones básicas de seguridad, incluyendo las siguientes: 1) No enchufe el artefacto hasta que esté completamente ensamblado y listo para usarse. 2) Use únicamente un tomacorriente eléctrico puesto a tierra aprobado. 3) No use el ahumador durante una tormenta eléctrica. 4) No exponga el artefacto a la lluvia o al agua en ningún momento.



ADVERTENCIAS Y SALVAGUARDAS IMPORTANTES

- Para protegerse contra una descarga eléctrica, no sumerja el cable, enchufe o panel de control en agua u otro líquido.
- No opere ningún ahumador con un cable o enchufe dañado, o si el ahumador se malogra o se ha dañado de alguna manera.
- Si el cable de alimentación está dañado, debe ser reemplazado por un cable o conjunto especial disponible en el fabricante o su agente de servicio.
- Se pueden usar cables de extensión si se tiene cuidado en su uso.
- Si se usa un cable de extensión: 1) La calificación eléctrica marcada del cable de extensión debe ser al menos igual que la calificación eléctrica del artefacto; y 2) El cable debe acomodarse de tal forma que no cuelgue del mostrador o de la mesa, de donde pueda ser tirado por los niños o donde sea objeto de tropiezo inintencional.
- El cable de extensión debe ser uno de tipo 3 puesto a tierra.
- Se debe usar cables de extensión para exteriores con productos de uso para exteriores, los cuales deben llevar una marca del sufijo “W”, además de la leyenda “Apropiado para uso con artefactos de uso en exteriores”.
- PRECAUCIÓN - Para reducir el riesgo de descarga eléctrica, conserve seco el cable de extensión y fuera de la tierra.
- No permita que el cable esté colgando o tocando superficies calientes.
- No lo coloque encima o cerca de una hornilla eléctrica o de gas caliente, o en un horno calentado.
- Para desconectar, apague el controlador en OFF, luego retire el enchufe del tomacorriente.
- Desenchufe el enchufe del tomacorriente cuando no esté en uso y antes de la limpieza.
- No limpie este producto con un rociador de agua o producto similar.
- Siempre opere la parrilla sobre una superficie nivelada.
- Este artefacto no está previsto para ser utilizado por personas (incluidos los niños) con capacidades físicas, sensoriales o mentales reducidas, ni por personas que no tengan ninguna experiencia o conocimiento, a menos que una persona responsable de su seguridad las supervise o las instruya sobre el uso del equipo.
- Mantenga a los niños y mascotas lejos de la parrilla en todo momento. NO permita que los niños usen la parrilla. Es necesaria una supervisión cercana cuando haya niños o mascotas en el área donde se usa la parrilla.



REQUERIMIENTOS ELÉCTRICOS

EE. UU./CA 110-120V CA, 4AMP, 50/60HZ, 500W, enchufe de conexión a tierra de 3 puntas.

LISTA DE PARTES

1. DUCTO SUPERIOR (1)
2. DOMO DE LA PARRILLA (1)
3. REJILLAS PARA COCCIÓN EN MEDIA LUNA (2)
4. REPISA DE ACCESORIOS (1)
5. DEFLECTORES DE CALOR CERÁMICOS (2)
6. REJILLA DE COCCIÓN FLEXIBLE DIVIDE & CONQUER®
7. ANILLO DEL FOGÓN DE ACERO INOXIDABLE (1)
8. REPISA DEL LADO IZQUIERDO (1)
9. REPISA DEL LADO DERECHO (1)
10. FOGÓN CERÁMICO AMP (MULTIPANEL AVANZADO) (5)
11. HERRAMIENTA PARA CENIZAS (1)
12. TENAZAS DE PARRILLA (1)
13. ABRAZADERAS DE LA REPISA LATERAL (4)
14. BANDEJA PARA CENIZAS DESLIZANTE (1)
15. ASA DELANTERA (1)
16. CUERPO DEL KONNECTED JOE (1)
17. PATAS (4)
18. PLACA SUPERIOR (1)
19. PLACA INFERIOR (1)
20. RUEDECILLAS GIRATORIAS SIN BLOQUEO (2)
21. RUEDECILLAS GIRATORIAS CON BLOQUEO (2)
22. CABLE DE ALIMENTACIÓN (1)
23. KIT DE HERRAMIENTAS DE DESENGANCHE DE LA BISAGRA (1)
24. SONDA PARA CARNE (1)



CONFIGURACIÓN DE LA PARRILLA

DESEMPACANDO SU PARRILLA

- 1 Corte las bandas de plástico y retire los paneles superior y lateral del contenedor de envío.
- 2 Coloque la caja del carro de la parrilla a un lado.
- 3 Abra el domo de la parrilla y retire los componentes de la parte interior de la parrilla. Manipule las partes de cerámica internas con cuidado.

PARRILLA KAMADO JOE CON CARRO

- 1 Ensamble el carro de la parrilla.
- 2 Una vez que los componentes internos de la parrilla hayan sido retirados, levante la parrilla fuera del contenedor y póngala dentro del carro. Debido al peso de esta parrilla, recomendamos que dos personas realicen esta tarea. Levante la parrilla sólo por las asas traseras y laterales. NO levante la parrilla por las lengüetas de la repisa lateral, la bisagra o el asa frontal. Use guantes protectores cuando la levante y precaución extrema.
- 3 Ajuste la parrilla en el carro para que el ducto inferior de la parrilla esté mirando a la parte delantera del carro. El lado delantero del carro es el costado con las dos ruedecillas con bloqueo.

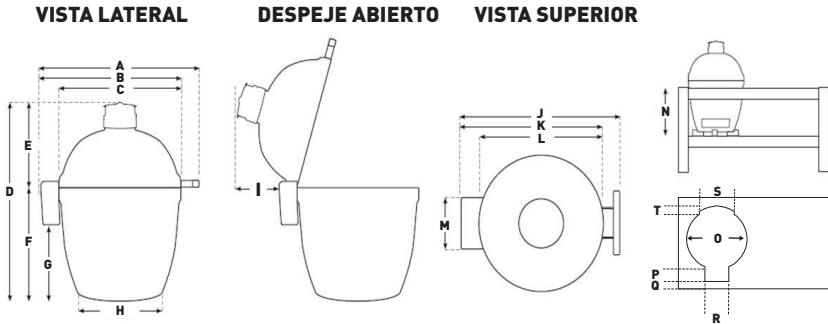
KONNECTED JOE INTEGRADO

Use esto como guía general para instalar su parrilla de cerámica empotrada en una mesa de parrilla o cocina para exteriores. Recomendamos encarecidamente que se mida la parrilla real que se va a instalar.

La tabla debería estar fija en el suelo o una pared.

Se sugiere usar materiales de construcción no inflamables.

El dibujo no está a escala.



Para instalar su Konnected Joe en una cocina empotrada, un carrito, una mesa o un soporte, asegúrese que la superficie sobre la que se asienta la parrilla tenga una abertura de 12.25 pulgadas (32 cm) de diámetro directamente debajo de la parrilla para permitir que el aire frío llegue a la parte inferior de la parrilla. Asegúrese que la superficie sea incombustible y que pueda soportar altas temperaturas. Asegúrese que haya un acceso posterior a la parrilla para poder acceder al interruptor de encendido. Tenga mucho cuidado, las chispas y la ceniza caliente pueden llegar a la parte inferior de esta parrilla.

A	B	C	D	E	F	G	H	I	J	K	L	M	N	O	P	Q	R	S	T
30.3	26.9	22.3	30.7	14.3	16.4	8.4	18.1	1.6	30.3	26.9	22.3	7.8	13.3	22.8	5.5	3.6	9.3	13.3	3

GUÍA DE INICIO RÁPIDO



ADVERTENCIA: No utilice un ventilador y/o controlador externo en ningún momento.

ENCENDIÉNDOLO

Su Konnected Joe puede funcionar con el "modo de cocción clásico" o con el "modo de cocción automático". El modo clásico le proporcionará una experiencia de cocción kamado tradicional. En el modo automático, su parrilla utilizará el Kontrol Board™ y el Kontrol Fan™ para mantener la temperatura por usted automáticamente.

MODO CLÁSICO:

1. Agregue carbón vegetal al fogón y enciéndalo usando uno o dos arrancadores de fuego. También puede encender el carbón sin arrancadores presionando el botón AFS (arrancador de fuego automático) para activar el elemento y encender el carbón. El elemento está encendido cuando la luz roja brilla. El elemento permanecerá encendido durante 15 minutos. Mantenga presionado el botón AFS para apagar el elemento en OFF si lo desea.
2. Deje el domo abierto por 10 minutos con el ducto inferior completamente abierto.
3. Cierre el domo.
4. Comience a cerrar el ducto superior y el ducto inferior cuando la temperatura del domo esté dentro de los 50°F (10°C) de su objetivo.

MODO AUTOMÁTICO:

NOTA: La primera vez que se abra la tapa después de encender el controlador, aparecerá la pantalla de accesorios. Consulte la sección de la pantalla de accesorios del manual de instrucciones.

1. Limpie cualquier resto de ceniza en el fogón de una cocción anterior. La ceniza antigua puede impedir que el carbón se encienda correctamente. Se recomienda utilizar su herramienta de cenizas para raspar y limpiar el fogón y la bandeja de cenizas. Hágalo mientras la unidad esté fría.
2. Añada carbón al fogón.
3. Cierre completamente el ducto inferior. ¡ATENCIÓN! Cuando la parrilla funcione en modo automático, el ducto inferior debe estar completamente cerrado en todo momento.
4. Cierre el domo.
5. Encienda su parrilla con el interruptor de la parte trasera. Encienda su controlador.
6. Configure su temperatura en su controlador y coloque los ductos como se describe.
7. Presione el botón AFS (arrancador de fuego automático) para que el elemento encienda el carbón. El elemento está encendido cuando la luz roja brilla. El elemento permanecerá encendido durante 15 minutos. Mantenga presionado el botón AFS de nuevo para apagar en OFF el elemento, si lo desea.



BOTÓN AFS

MANTENIMIENTO DE LA TEMPERATURA

MODO CLÁSICO:

Para bajar la temperatura, reduzca el flujo de aire a través de la parrilla, cerrando los ductos. Por otro lado, eleve la temperatura abriendo los ductos. Los ajustes a los ductos no son inmediatos; deje que pasen 10 a 15 minutos para que un cambio en los ductos surta efecto. Ya que su Kamado Joe de cerámica retiene el calor tan bien, puede tardar un poco en calentarse por completo. Dele a su parrilla 20-40 minutos para que establezca su temperatura antes de comenzar a cocinar.

MODO AUTOMÁTICO:

¡ATENCIÓN! Cuando la parrilla funcione en modo automático, el ducto inferior debe estar completamente cerrado en todo momento. Su Konnected Joe mantendrá automáticamente la temperatura establecida cuando funcione en modo automático. Asegúrese de que su ventilación superior esté ajustada como se describe en el Tablero de Kontrol.

Los deflectores de calor NO deben instalarse cuando se mantienen temperaturas superiores a 400 °F. Para mantener las temperaturas por debajo de 400 °F, es mejor cocinar con los deflectores de calor instalados.

ENFRIAMIENTO

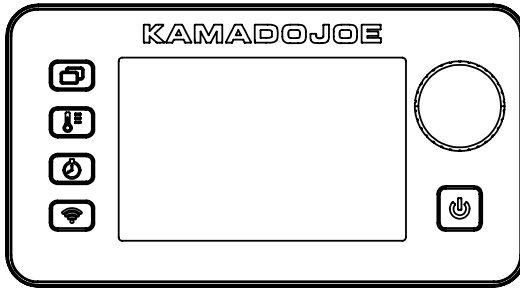
MODO CLÁSICO:

1. Cuando termine de cocinar, cierre completamente el ducto inferior.
2. Una vez que la temperatura caiga por debajo de los 400°F (205°C), cierre el ducto superior.
3. No cubra la parrilla hasta que el domo esté completamente frío al tacto.

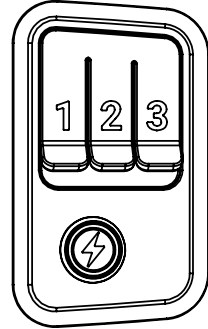
MODO AUTOMÁTICO:

1. Cuando termine de cocinar, apague su controlador y apague la parrilla.
2. Mantenga el ducto inferior completamente cerrado.
3. Una vez que la temperatura caiga por debajo de los 400 °F (205 °C), cierre el ducto superior.
4. No cubra la parrilla hasta que el domo esté completamente frío al tacto.

KONTROL BOARD™



3 SONDAS PARA CARNE



Encendido/Apagado: Presione el botón para encender el controlador. Presione y mantenga presionado para apagar el controlador.



AFS (arrancador de fuego automático): Presione el botón para que el elemento encienda el carbón. El elemento está encendido cuando la luz roja brilla. El elemento permanecerá encendido durante 15 minutos. Mantenga presionado el botón AFS otra vez para apagar el elemento en OFF si lo desea.



Ciclo de pantalla - Presione el botón para recorrer los diferentes ciclos del controlador.



Configuración de la temperatura - Presione el botón. Gire la perilla a la temperatura deseada. Presione de nuevo el botón para ajustar la temperatura.



Configurar tiempo:

Temporizador de cuenta regresiva

1. Presione el botón.
2. Gire la perilla a las horas deseadas.
3. Presione el botón para configurar las horas.
4. Gire la perilla a los minutos deseados.
5. Presione el botón para configurar los minutos. El temporizador se pondrá en marcha.
6. Presione el botón para pausar y reanudar el temporizador.
7. Mantenga presionado el botón para reiniciar el temporizador.

Temporizador de cuenta ascendente

1. Presione y sostenga el botón.
2. El temporizador comenzará a contar desde las 00:00. El temporizador contará por Minutos:Segundos y luego por Horas:Minutos.
3. Presione el botón para pausar y reanudar el temporizador.
4. Mantenga presionado el botón para reiniciar el temporizador.

Modo protector de pantalla:

Mantenga presionado el botón del ciclo de pantalla para activar el modo protector de pantalla. En el modo protector de pantalla todas las temperaturas establecidas y los temporizadores permanecen activos. La pantalla se volverá negra y el logo de Kamado Joe se verá débilmente en la pantalla. Para salir del modo protector de pantalla, presione cualquier botón. El Modo protector de pantalla también se desactivará si: una sonda de carne ha alcanzado la temperatura configurada, se ha alcanzado un temporizador previamente configurado, se activa el estado de tapa abierta o se enciende un mensaje de error.

Modo accesorios:

La primera vez que se abra la tapa después de encender el controlador, aparecerá la pantalla de accesorios. Si desea utilizar uno de los accesorios de la lista, presione el botón del controlador que corresponda al accesorio, si no desea utilizar un accesorio, cierre la tapa. Su accesorio seleccionado debería aparecer en la esquina superior derecha de la pantalla en todos los modos, excepto en el modo gráfico. Reanude el uso normal de su controlador para ajustar sus temperaturas, temporizadores y sondas de carne.

Plancha completa:

Tenga en cuenta que el modo accesorios de la plancha completa es para usar con una plancha que llene toda la superficie de cocción. Haga funcionar la parrilla en condiciones normales para una superficie de plancha de media luna. Cuando se utiliza una plancha, es mejor cerrar la tapa para que la parrilla pueda regular la temperatura.



Emparejamiento de la parrilla con dispositivos inteligentes (BLUETOOTH+WIFI):

1. Descargue la aplicación Kamado Joe desde la Apple App Store o Google Play Store a su(s) dispositivo(s) inteligente(s).

NOTA: Durante el funcionamiento normal, la aplicación puede experimentar un ligero retraso desde las lecturas de su controlador de parrilla.

2. Una vez completada la descarga, abra la aplicación Kamado Joe y siga las instrucciones para emparejar su parrilla Bluetooth + WiFi y su(s) dispositivo(s) inteligente(s).

NOTA: Asegúrese que su red WiFi sea capaz de funcionar en 2.4 Ghz. Si tiene un router de doble banda (2.4 Ghz y 5 Ghz), elija la red de 2.4 Ghz. Ambas redes deben tener nombres diferentes para garantizar un correcto emparejamiento.

Este dispositivo cumple con la Parte 15 de las Reglas de la FCC. La operación está sujeta a las siguientes dos condiciones:

1. Este dispositivo no puede causar interferencias dañinas.
2. Este dispositivo debe aceptar cualquier interferencia recibida, incluidas las que puedan causar un funcionamiento no deseado. Intente corregir la interferencia mediante una o más de las siguientes medidas:

Advertencia del FCC

Advertencia: Los cambios o modificaciones a esta parrilla no explícitamente aprobados por la parte responsable del cumplimiento, podría invalidar la autoridad del usuario de operar el equipo.

Declaración de la FCC

Este equipo ha sido probado y se ha encontrado que cumple con los límites de un dispositivo digital Clase B, conforme a la Parte 15 de las Reglas de la FCC. Estos límites han sido diseñados para ofrecer una protección razonable contra la interferencia perjudicial en una instalación residencial. Este equipo genera, usa y puede irradiar energía de radiofrecuencia y, si no se instala y usa en conformidad con las instrucciones, puede causar interferencias dañinas a las comunicaciones de radio.

Sin embargo, no hay garantía que la interferencia no vaya a ocurrir en una instalación en particular. Si este equipo causa interferencia dañina a la recepción de radio o televisión, lo que se puede determinar encendiendo y apagando el equipo, el usuario deberá intentar corregir la interferencia por medio de una de las siguientes medidas:

1. Reoriente o reubique la antena receptora.
2. Aumente la separación entre el equipo y el receptor.
3. Conecte el equipo a un tomacorriente en un circuito diferente del de donde está conectado el receptor.
4. Consulte con el representante o con un técnico experimentado con radio o TV si necesita ayuda.

Nota: Si se pierde la conexión, la parrilla continuará según lo programado. La parrilla puede ser operada desde el panel de control si el emparejamiento o la conexión fallan.

Transmisor inalámbrico

Características del transmisor y del WiFi = RF 0dBm / 2412-2484 MHz

AJUSTES DE LA BISAGRA NEUMÁTICA

La bisagra neumática de su Konnected Joe ya viene previamente ajustada para un equilibrio y estabilidad ideales. Siga estas instrucciones para cualquier ajuste adicional, según sus preferencias personales.

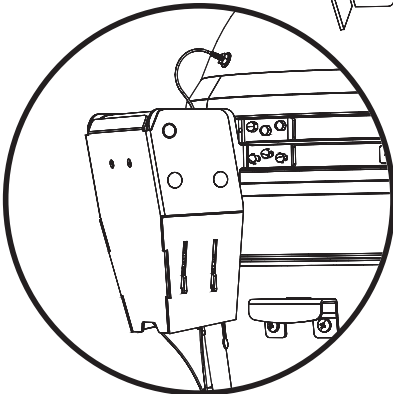
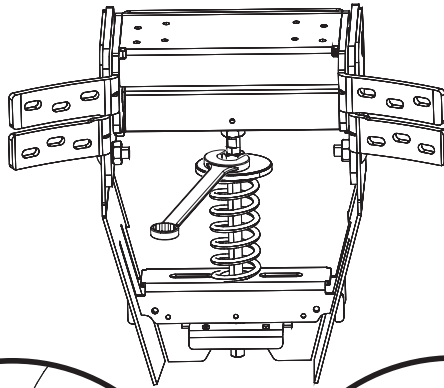
Precaución: Bisagra neumática bajo alta tensión.

BISAGRA DEL KONNECTED JOE

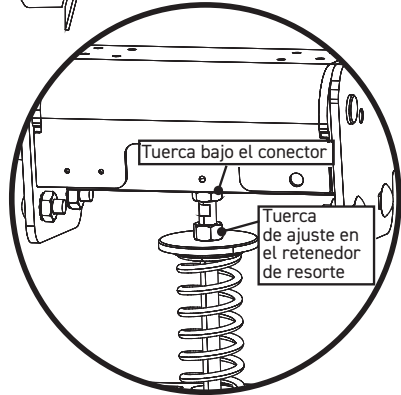
- 1 Abra el domo de su parrilla Konnected Joe.
- 2 Coloque la llave de 17 mm en la tuerca sobre el retenedor de resorte (ver Recuadro 1).
- 3 Para facilitar la elevación del domo, gire la llave de 17 mm en el sentido de las agujas del reloj, como se muestra. Retire la llave y verifique la acción del domo para cada rotación completa de la tuerca. Si desea que el domo se sienta más pesado, gire la tuerca hacia la izquierda. Retire la llave y verifique la acción del domo para cada rotación completa de la tuerca. No ajuste la tuerca para que pueda contactar a la tuerca que está debajo del conector (ver recuadro 1).

INFORMACIÓN DE SEGURIDAD DE LA BISAGRA

No intente desensamblar la bisagra de su parrilla sin las herramientas adecuadas. Sólo deben hacerse pequeños ajustes al peso del domo.



Bisagra neumática



Recuadro 1

INFORMACIÓN DE SEGURIDAD DE LA HERRAMIENTA DE DESENGANCHE

BISAGRA

No intente desensamblar la bisagra o aflojar las bandas de su parrilla sin el kit de herramientas de desenganche.

HERRAMIENTA DE DESENGANCHE

Para instalar el kit de herramientas de desenganche, coloque primero el espaciador luego la arandela y después la tuerca hexagonal en el retenedor del resorte en el lado inferior de la bisagra. La instalación de la herramienta de desenganche liberará la tensión del resorte permitiéndole retirar la bisagra o las bandas de forma segura de la parrilla

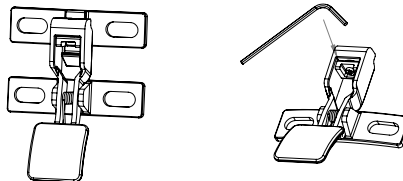


AJUSTES DEL SEGURO

El seguro de su Konnected Joe ya está preconfigurado para un sellado ultra hermético. Use estas instrucciones si necesita hacer algún ajuste.

SEGURO DEL KONNECTED JOE

Para ajustar y aflojar el ajuste del seguro, utilice una pequeña llave Allen. Ajuste el tornillo de fijación para bajar la placa del pestillo y añada un espaciador. Una vez añadido el espaciador, vuelva a instalar la placa del pestillo ajustando el tornillo de ajuste.



Limpieza y cuidado

Su parrilla Kamado Joe está hecha con materiales de calidad, así que el cuidado y mantenimiento generales son mínimos. La mejor manera de proteger su Kamado Joe del clima, es con una cubierta para parrillas. La porcelana ligeramente agrietada, es decir cuarteada, forma parte de la característica natural.

AUTOLIMPIEZA

- 1 Añada carbón y enciéndalo.
- 2 Instale la rejilla de cocción flexible Divide & Conquer® en la posición superior y ambos deflectores de calor en la rejilla de accesorios.
- 3 En el Modo Clásico, abra completamente los ductos de aire superior e inferior y deje que la temperatura dentro de la parrilla se eleve a 600°F (315°C) con el domo cerrado.
- 4 Mantenga la temperatura a unos 600°F (315°C) por 15 a 20 minutos.
- 5 Cierre completamente de ducto inferior y espere otros 15 a 20 minutos para cerrar el ducto superior.

Este proceso quemará cualquier residuo de la parte interna de su parrilla. Antes de volver a cocinar, cepille las rejillas de cocción con un cepillo para parrillas estándar. Cepille la cerámica y los deflectores de calor con un cepillo de cerdas suaves. Recoja o aspire toda la ceniza fría del fondo de la parrilla. Durante el uso regular, cuando los deflectores de calor se ensucien, déles la vuelta para la siguiente cocción y el calor eliminará los residuos no deseados.

Una o dos veces al año, debe hacer una limpieza más profunda de la parte interna de la parrilla. Retire los paneles del fogón del interior de la parrilla. Retire toda la ceniza o los residuos. Use un cepillo de cerdas suaves para limpiar la superficie cerámica interna y aspirar todos los escombros fríos de la parte inferior de la parrilla antes de reemplazar los componentes internos.

JUNTA

Se recomienda la autolimpieza a través de un ciclo de calor natural. No use limpiadores químicos en la junta. Si es absolutamente necesario, limpie suavemente cualquier derrame o traza de humedad. No frote o raspe la junta si está limpiándola. Raspar excesivamente puede causar desgaste.

CONSERVE ESTAS INSTRUCCIONES



Detección y solución de problemas

PROBLEMA	CAUSA	SOLUCIÓN POSIBLE	
Controlador no encendido en ON	Parrilla no encendida en ON	Verifique el interruptor en la parte trasera de la parrilla.	
	Controlador no encendido en ON	Presione el botón de Power (inicio) en el Panel de Kontrol.	
	No está enchufado	Enchufe el cable en la parte trasera de la parrilla y en el tomacorriente de la pared.	
	El interruptor se ha desconectado	Compruebe el disyuntor del tomacorriente de la pared y reajuste si se ha desconectado.	
El ventilador no está encendido.	La sonda de fondo ha alcanzado la temperatura ajustada.	Una vez alcanzada la temperatura establecida, el ventilador se apagará. Una vez que la temperatura de la cabina caiga por debajo de la temperatura establecida, el ventilador se reiniciará. El ventilador continuará ajustándose automáticamente para mantener la temperatura establecida.	
	Tapa del domo abierta	Por seguridad, el ventilador no debe avivar el fuego cuando la tapa está abierta. Una vez cerrada la tapa, el ventilador continuará con su funcionamiento normal.	
	Interruptor de la tapa no accionado	Es posible que su interruptor de la tapa no haga contacto cuando el domo esté cerrado. Si el domo está cerrado y el ventilador no está encendido cuando debería estarlo, es posible que necesite un nuevo interruptor de la tapa.	
	ERROR - Fallo de temperatura máxima P	Ver a continuación.	
Calentamiento lento.	Acumulación de cenizas por el uso anterior	Antes de poner en marcha el aparato, retire los restos de ceniza del fogón y de la bandeja de cenizas que puedan quedar de una cocción anterior. La acumulación de cenizas puede impedir el correcto encendido del carbón.	
	Carbón bajo	Rellene el fogón con carbón.	
	Tapa abierta	Cierre la tapa.	
	El ventilador no está encendido.	Ver sección de ventilador no encendido	
El elemento no está encendido	El botón AFS no está presionado	Asegúrese de que se haya presionado el botón AFS y que se ilumine en rojo.	
	Elemento dañado	Retire el elemento de la parrilla, inspeccione en busca de daños visuales.	
	El elemento no está bien asentado	Retire el elemento completamente de la parrilla, vuelva a conectar el elemento a la parrilla y asegúrese de presionar completamente el elemento en los conectores.	
ERROR: Fallo de la sonda - P	Sonda del fondo defectuosa	Compruebe que la sonda del fondo está enchufada en la parte trasera de la parrilla.	
		Compruebe que la conexión de la sonda del fondo está completamente asentada.	
		Compruebe que no haya residuos en la clavija de la sonda del fondo.	
		Desenchufe la unidad de la pared, espere 10 segundos y vuelva a conectarla.	
ERROR: Fallo de la sonda - M	Sonda de carne defectuosa	Contacte al servicio de atención al cliente de Kamado Joe.	
ERROR: Tiempo agotado para la puesta en marcha	El carbón no se enciende. La unidad no alcanzó los 150 °F (65 °C) en menos de 10 mins	Asegúrese que las cenizas antiguas del uso anterior no se hayan quedado en el fogón.	
		Asegúrese que el botón AFS se haya presionado y el elemento esté funcionando.	
		Asegúrese que la colocación de la ventilación sea la adecuada para el modo clásico o automático.	
		Asegúrese que el carbón no esté vacío.	
		Reiniciar	
ERROR: Fallo de temperatura máxima - P	Parrilla sobrecalentada	Apague la parrilla.	
		Compruebe la causa del sobrecalentamiento. - Incendio de grasa - Mal funcionamiento del ventilador	
		Elimine la causa del sobrecalentamiento.	
		Reinicie la parrilla.	
ERROR: Fallo de temperatura máxima - M	Temperatura de la sonda de carne superior a 300 °F (149 °C)	Utilizando guantes de protección, retire la sonda de carne de la unidad.	
		Desenchufe del controlador.	
		Deje que la sonda de carne se enfríe.	

GARANTÍA LIMITADA

Esta garantía se aplica a todos los productos Kamado Joe®.

Garantía de por vida limitada en las piezas cerámicas

Kamado Joe® garantiza que las piezas cerámicas clave usadas en esta parrilla y ahumador Kamado Joe® no presentan defectos de material ni de mano de obra durante el período que el comprador original sea el dueño de la parrilla.

Garantía de 5 años en las partes metálicas y en las parrillas con tapa Kettle Joe

Kamado Joe® garantiza que todas las piezas de metal y hierro fundido usadas en esta parrilla y ahumador Kamado Joe® no presentan defectos de material ni de mano de obra durante un período de cinco (5) años.

Garantía de 3 años en los componentes electrónicos, los deflectores de calor y las piedras para pizzas

Kamado Joe® garantiza que todos los componentes electrónicos de esta parrilla y ahumador Kamado Joe® no presentan defectos de material ni de mano de obra durante un período de tres (3) años.

Garantía de 2 años en los componentes misceláneos y accesorios independientes

Kamado Joe® garantiza que todos los componentes misceláneos utilizados en esta parrilla y ahumador Kamado Joe® (incluyendo, entre otros, el termómetro, las juntas y los controladores iKamand) o cualquier accesorio Kamado Joe están libres de defectos de material y mano de obra por un período de dos (2) años.

¿Cuándo comienza la cobertura de la garantía?

La cobertura de la garantía comienza en la fecha de compra original y cubre solamente al comprador original. Para que la garantía se aplique, debe registrar su producto Kamado Joe® utilizando la página de registro del producto en nuestro sitio web. Si usted descubre un defecto de material o de mano de obra durante el período de garantía correspondiente bajo uso y mantenimiento normal, Kamado Joe®, a su discreción, reemplazará o reparará el componente defectuoso sin costo alguno para usted, por otro componente. La presente garantía no se aplica a mano de obra u otros costos asociados con el servicio, reparación u operación de la parrilla. Kamado Joe pagará todos los cargos de envío en las piezas bajo garantía.

SÓLO PARA RESIDENTES DE AUSTRALIA Y NUEVA ZELANDA: Nuestros productos vienen con garantías que no pueden excluirse bajo la Ley del consumidor australiana. Tiene derecho a un reemplazo o reembolso por una falla importante y compensación por cualquier otra pérdida o daño previsible. Tiene derecho a que le reparen o reemplacen los productos si estos carecen de una calidad aceptable y si la falla no progresa hasta convertirse en una falla importante.

¿Qué cosas no están cubiertas?

La presente garantía no se aplica a daños causados por el uso o abuso del producto por motivos distintos a los previstos, daños causados por la falta del correcto uso, ensamblaje, mantenimiento o instalación, daños causados por accidentes o desastres naturales, daños causados por accesorios o modificaciones no autorizados o daños causados durante el transporte. La presente garantía no cubre daños de desgaste normal por el uso del producto (por ejemplo, rasguños, indentaciones, abolladuras y astillado) o cambios en la apariencia de la parrilla que no afecte su rendimiento.

LA PRESENTE GARANTÍA LIMITADA ES EXCLUSIVA Y REEMPLAZA A CUALQUIER OTRA GARANTÍA, ESCRITA U ORAL, IMPLÍCITA O EXPLÍCITA, INCLUYENDO SIN LIMITACIONES LA GARANTÍA DE COMERCIABILIDAD O IDONEIDAD PARA UN PROPÓSITO PARTICULAR. LA DURACIÓN DE CUALQUIER GARANTÍA IMPLÍCITA, INCLUYENDO CUALQUIER GARANTÍA IMPLÍCITA DE DE COMERCIABILIDAD O IDONEIDAD PARA UN PROPÓSITO PARTICULAR SE LIMITA EXPLÍCITAMENTE A LA DURACIÓN DEL PERÍODO DE GARANTÍA PARA EL COMPONENTE CORRESPONDIENTE.

EL ÚNICO DERECHO EXCLUSIVO DEL COMPRADOR PARA EL INCUMPLIMIENTO DE LA PRESENTE GARANTÍA LIMITADA O CUALQUIER GARANTÍA IMPLÍCITA DEBE ESTAR LIMITADO COMO SE ESPECIFICA EN LA PRESENTE AL REEMPLAZO. KAMADO JOE® EN NINGÚN CASO, SERÁ RESPONSABLE POR DAÑOS ESPECIALES, ACCIDENTALES O DERIVADOS.

Esta garantía se le proporciona junto con todos los derechos y recursos que le confieren las leyes y regulaciones de protección al consumidor. Esta garantía no afecta en modo alguno sus derechos legales bajo las regulaciones de garantía estatutaria de su estado o país de residencia. Dependiendo de su estado o país de residencia, las limitaciones en la duración de una garantía implícita o los daños disponibles para usted podrían no estar limitados por esta garantía.

¿Qué cosas invalidan la garantía?

Adquirir cualquier producto Kamado Joe® a través de un distribuidor no autorizado invalida la garantía. Un distribuidor no autorizado se define como cualquier minorista al que Kamado Joe® no le haya concedido expresamente el permiso para vender productos Kamado Joe®.

¿NECESITA ASISTENCIA? CONTÁCTENOS

Nuestras condiciones de garantía pueden cambiar de vez en cuando. Para obtener una versión actualizada de nuestra garantía, visite www.kamadojoe.com/pages/warranty. Para obtener asistencia o solicitar una copia actualizada de nuestra garantía, contáctenos en las direcciones que se indican a continuación.

North America

Kamado Joe ®
Premier Specialty Brands, LLC
5367 New Peachtree Road
Suite 150, Chamblee, GA 30341
Kamadojoe.com/pages/contact-us

European Union

Kamado Joe Europe
Lange Voorhout 86, 2514 EJ
Den Haag, Netherlands
service@kamadojoe.com

United Kingdom

Kamado Joe UK Limited
Cheyenne House
West Street, Farnham
GU9 7EQ
service@kamadojoe.com

KAMADOJOE®

**SAVE THESE INSTRUCTIONS
CONSERVEZ CES INSTRUCTIONS
CONSERVE ESTAS INSTRUCCIONES**

www.birstall.com

0116 267 7091

Birstall

Garden & Leisure

— Est. 1969 —



**BBQ
BASECAMP**