

EVOLUTION OCTAGONAL



Cedar Greenhouses

9x6

Instruction Manual



Made in the United Kingdom

Please read all instructions before proceeding

09/20



Contents:	Section	Page
Introduction	-	3
Base Preparation	1	4
Overview	2	5
Base Assembly	3	6
Side Assembly	4	7-18
Door Installation	5	19
Fix to Aluminium Base	6	20
Board Installation	7	21
Roof Assembly	8	22-25
Louvre Assembly	9	26-27
Louvre Frame Assembly	10	28-29
Louvre Positions	11	30-32
Glazing (part 1)	12	33-35
Gutter Installation	13	36-40
Glazing (part 2)	14	41-44
Slam Rail and Ridge Board	15	45
Roof Cowl and Finial	16	46
Roof Vent Installation	17	47-49
Staging Installation	18	50-56
High Level Shelf Installation	19	57-59
Downpipe Installation	20	60
Fixing Down	21	61
Packing Lists		62-64

Introduction

Thank you for purchasing your new Alton greenhouse. We recommend you familiarise yourself with the instructions and read all safety information before you commence assembly.

HELPLINE: 0116 267 7091

Safety Warning

- Glass, aluminium and timber can potentially cause injury. Please ensure you wear protective goggles, gloves, headgear and suitable footwear when assembling and glazing the building.
- Please remember that glass is fragile and should be handled with extreme care. Always clear up and dispose of any breakages immediately.
- Do not assemble the greenhouse in high winds.
- DIY assembly - For safety reasons and ease of assembly, we recommend that this greenhouse is assembled by a minimum of two people.
- Please clear all lying snow from the greenhouse roof as it can cause the roof to buckle or collapse.

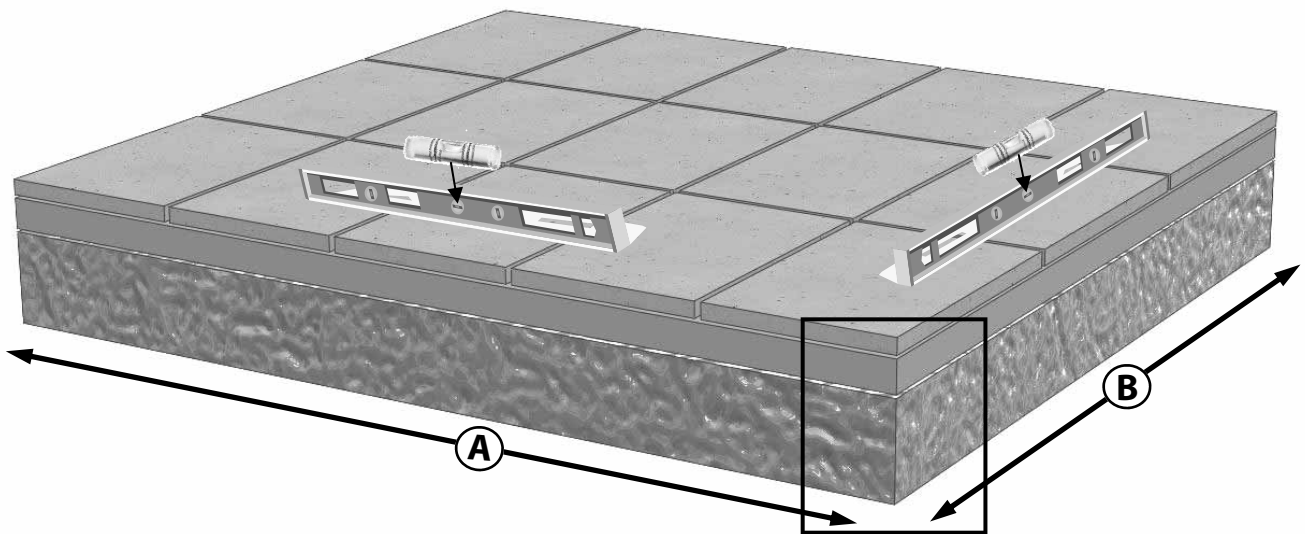
Site Preparation

- When selecting a site for your greenhouse, it is vital that you choose as flat and level an area as possible.
- A concrete or slabbed base will provide the most solid foundation for your greenhouse. A slabbed base would be our preferred choice as this helps with drainage.
- Avoid placing your greenhouse under trees or in other vulnerable locations.
- To minimise the risk of wind damage, try to select as sheltered a site as possible, e.g. beside a hedgerow or garden fence.

Additional Considerations

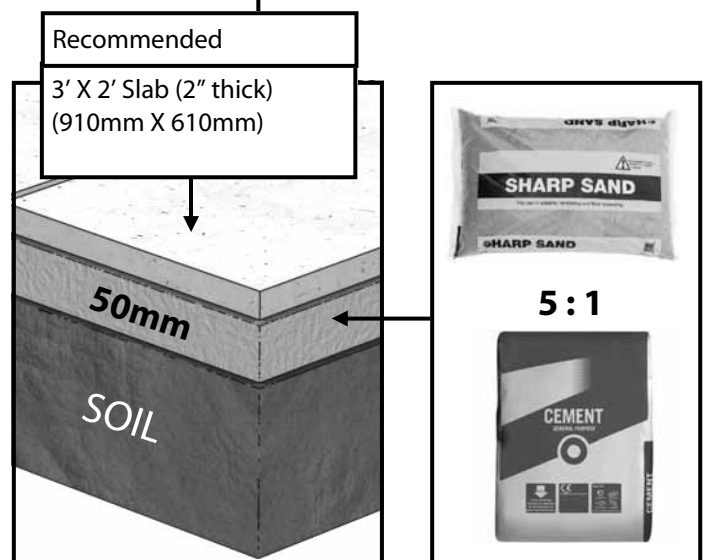
- Please bear in mind that assembling your greenhouse can be time consuming. You may need to spread the construction over two or more days. We recommend that you avoid leaving the building partially glazed. If you ever have to leave your greenhouse half assembled and not anchored down, weigh it down with slabs or bags of sand to stop the wind moving it.
- You will find it helpful to prepare a large, clean and clear area in which to work in. A garage floor or flat lawn area is ideal.
- If you have arranged for someone to install your greenhouse for you, please check that all components are included and are correct before your fitter comes on site. Most parts are numbered and can be identified by a stamp or removable label. Alternatively, the components can be identified by lengths detailed in the packing list in your main cardboard box.
- Remember this is a natural timber product. Cedarwood can vary from white through shades of pink to dark brown colours, this natural variation is a characteristic of cedar. The wood will soak up some water to start with and some staining may occur. This will settle down over time and the greenhouse will really blend with its surroundings. If you want to avoid this and give your greenhouse a more permanent finish you could apply an oil or spirit based product (it would be best to do this before glazing!).

Base Preparation



Slab Base Size (Recommended)
Note: The base should always be larger than your building.
The measurements given in 'A' and 'B' should only be used as a guide.

Greenhouse Width	Greenhouse Length	A (mm)	B (mm)
9'2" - 2800mm	6'6" - 1989mm	3000	2700



It is necessary to leave sufficient working room around your greenhouse when you're putting it up and also to allow for the possible need to replace a piece of glass in the future. If possible try and leave a space of 2ft/610mm around the greenhouse.

Locate the greenhouse where there is maximum amount of sunlight and avoid if possible any shade from trees, fences or other buildings. Over-hanging branches can be a particular nuisance and should be avoided.

Choose a site where the greenhouse is relatively easy to get to and convenient to bring water to and possibly a supply of electricity.

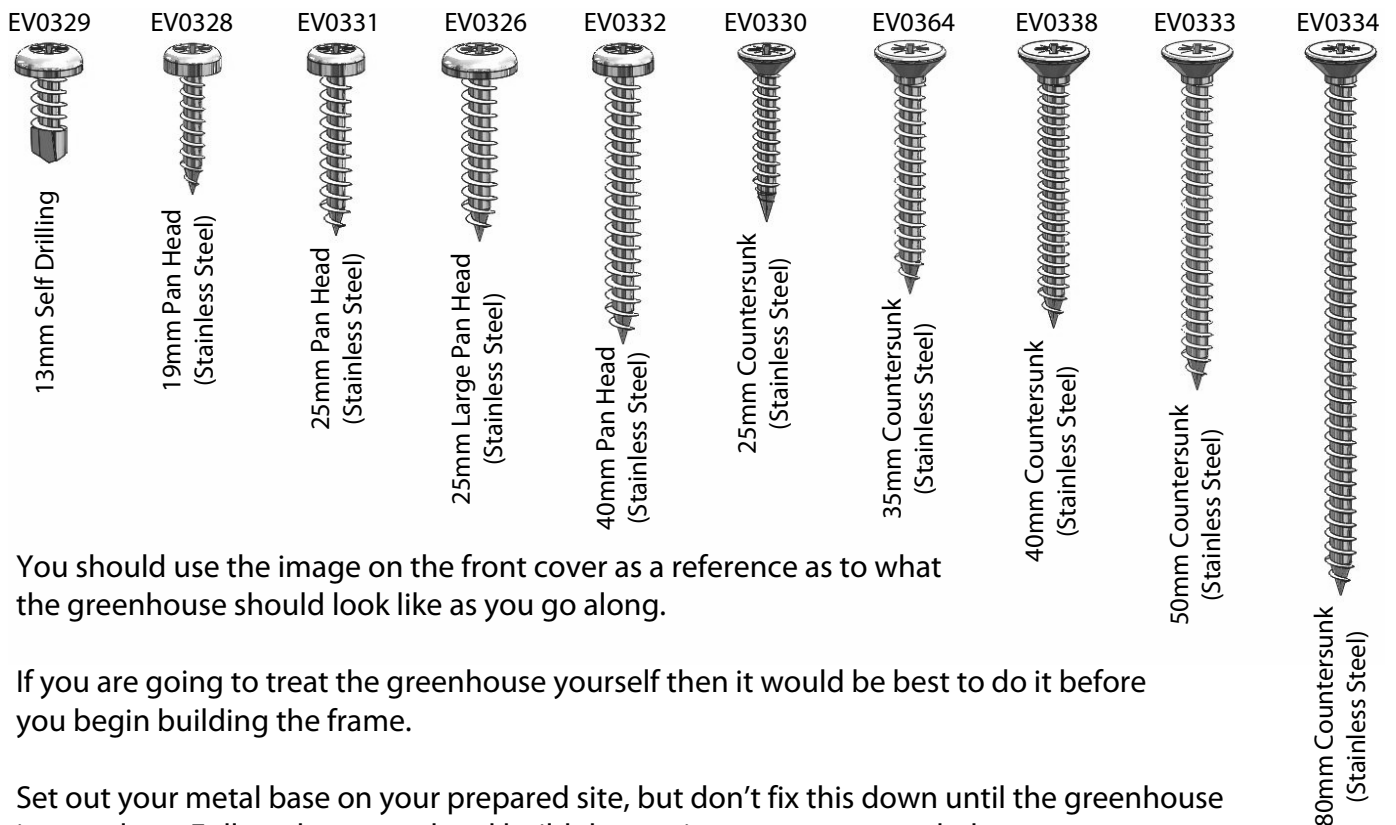
Finally, and most importantly, choose a site where your Alton Greenhouse will look right so that it will complement your garden.

Overview

To build your new greenhouse you will need the following tools:

- | | |
|-----------------|--|
| Spirit Level | Pozidrive No. 2 Screwdriver Bit |
| Pencil | Cordless Screwdriver (2 would be ideal, 1 to drill and 1 to screw) |
| 4mm Drill Bit | Hammer |
| Hammer Drill | Step ladders |
| 7mm Masonry Bit | Tape Measure |

There are 10 types of screws used in the construction of the greenhouse. These are as follows:



You should use the image on the front cover as a reference as to what the greenhouse should look like as you go along.

If you are going to treat the greenhouse yourself then it would be best to do it before you begin building the frame.

Set out your metal base on your prepared site, but don't fix this down until the greenhouse is complete. Follow the manual and build the sections as recommended.

When screwing through one piece of timber into another it is always recommended to pre-drill the first piece. This will prevent the timber from splitting which could weaken the structure.

Glazing the structure is very simple but be very careful of the edges of the glass as the pane will break into tiny pieces if you catch an edge on a hard surface such as concrete. You should also wear suitable gloves when handling the glass (this also helps to keep it clean).

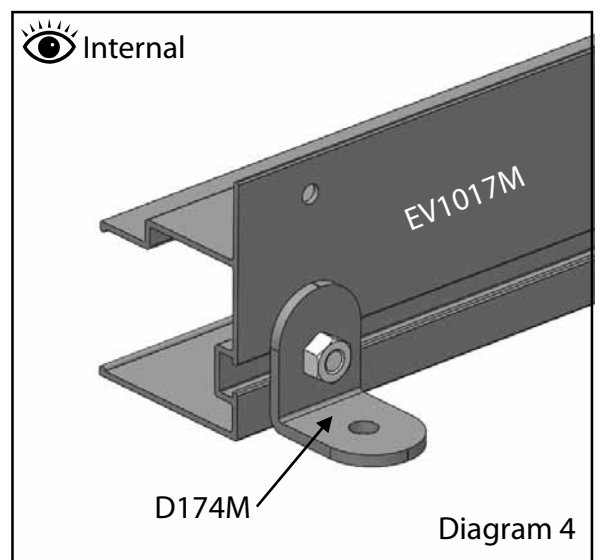
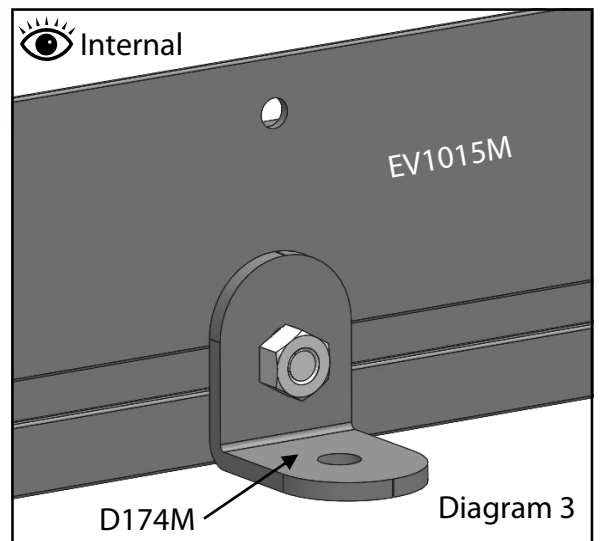
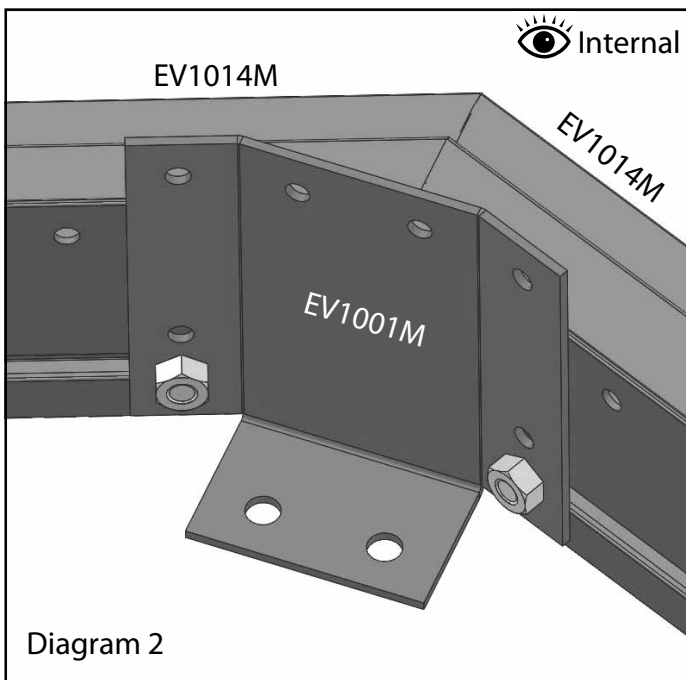
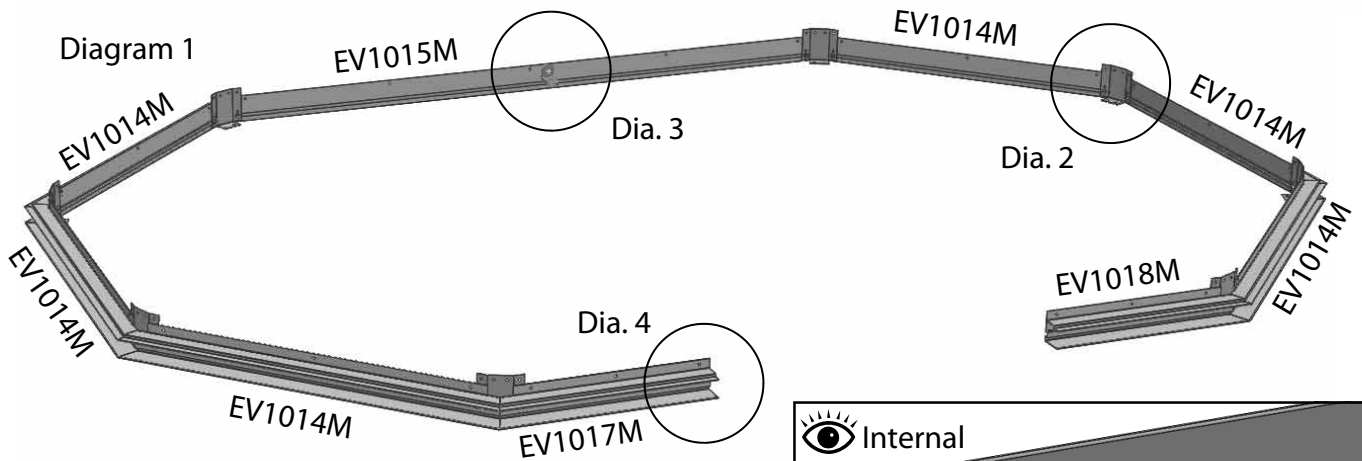
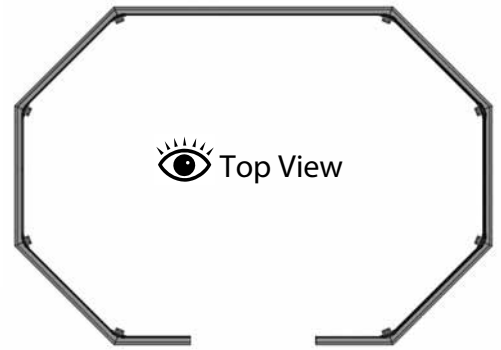
Option of gluing joints. This is not required for strength but you may do it if you wish. However bear in mind if you ever intend to move or adapt the greenhouse in the future this would make it very difficult. The best glue for this would be Poly Urethane Wood Adhesive. Take care when applying this, you only need a very small amount as the glue expands to fill the joint. If you use too much it may seep out of the joint and could be unsightly! Try a test piece before you start.

Read through the rest of this manual before starting, you are less likely to miss something doing this and you will have a better understanding of how it all works.

Base Assembly

Double door? Refer to special assembly book

Lay out your aluminium base sections as the diagram shows. The base brackets (EV1001M) attach to the base sections using the M6 bolts supplied (diagram 2). The bolts slot into the bolt channel in the aluminium base and fix through the largest hole in the base bracket. Also attach three small base brackets (D174M), one in the middle in the rear of the building (diagram 3) and one either side of the door opening (diagram 4).



Side Assembly

Start by attaching the cast eaves brackets (EV1000M) to four eaves rails (EV0953). First of all drill pilot holes through the eaves bracket into the end of the eaves bar. Be careful not to drill all the way through the rail! Once the bracket is firmly in position fix with the 40mm countersunk (CSK) screws (diagrams 5 and 6).

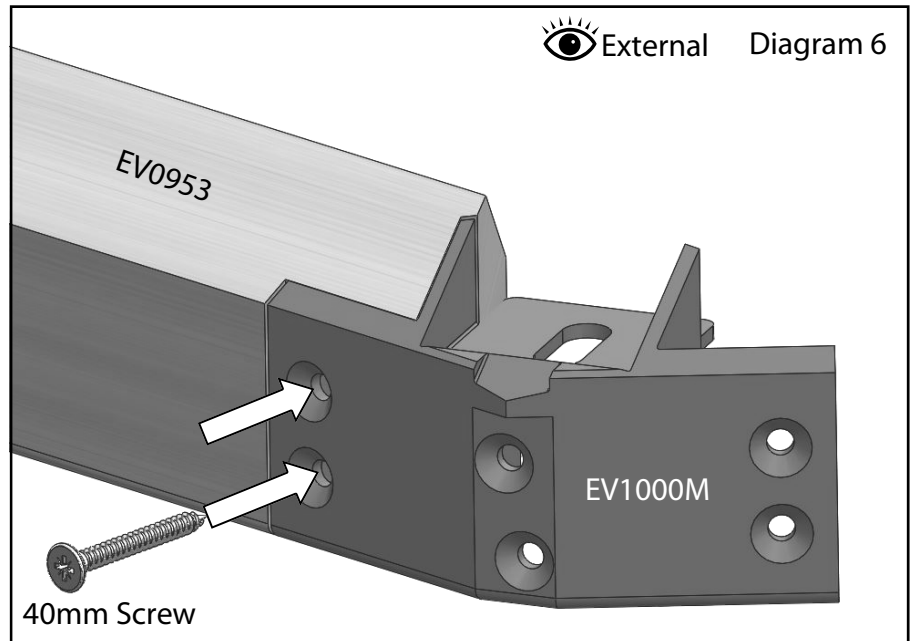


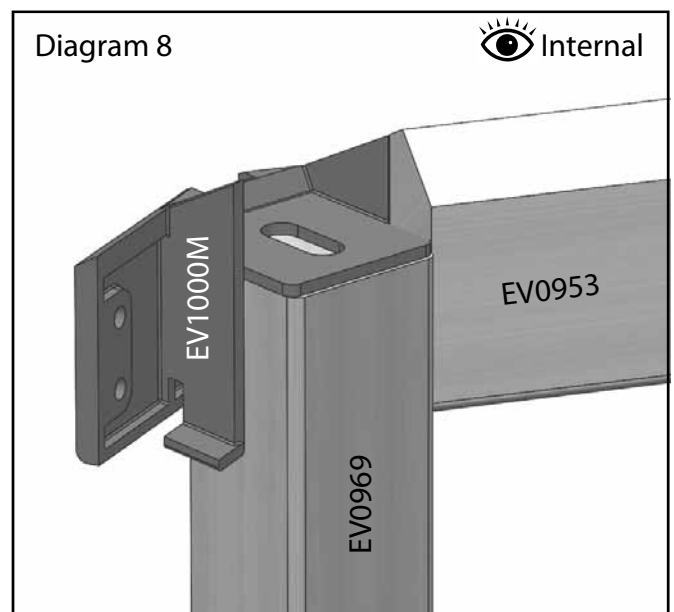
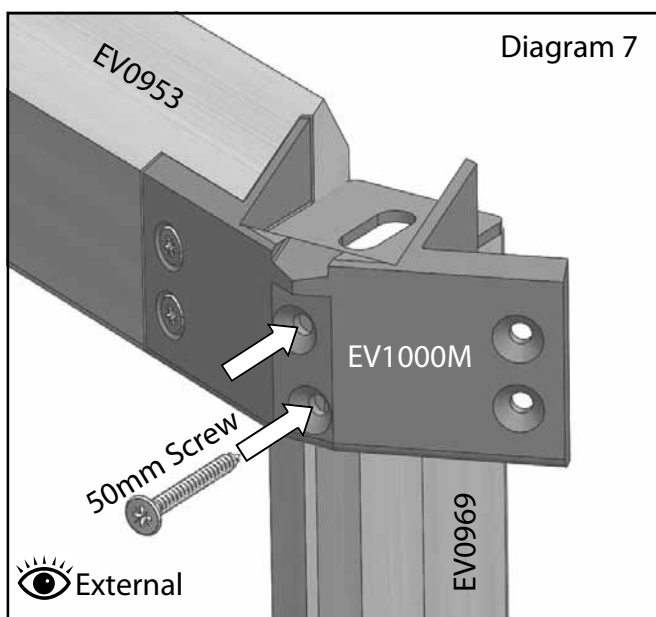
Diagram 5

X 4

Dia. 6



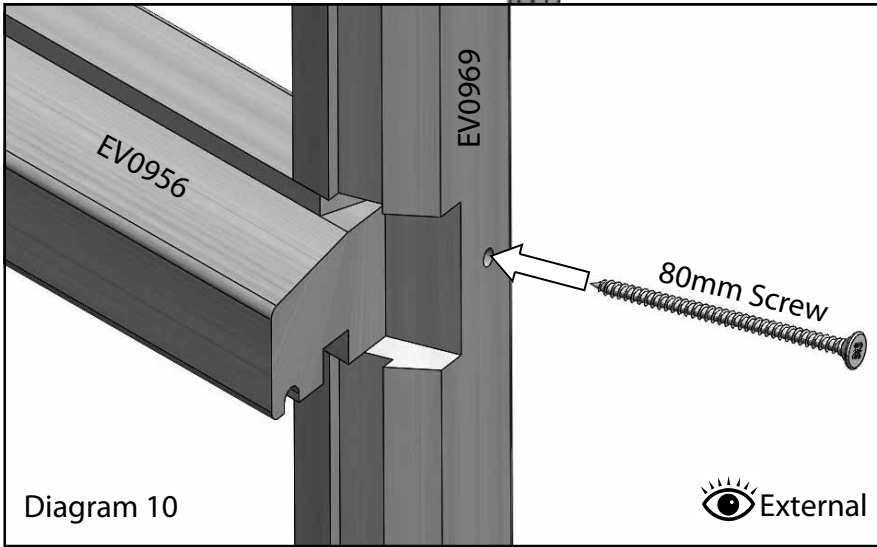
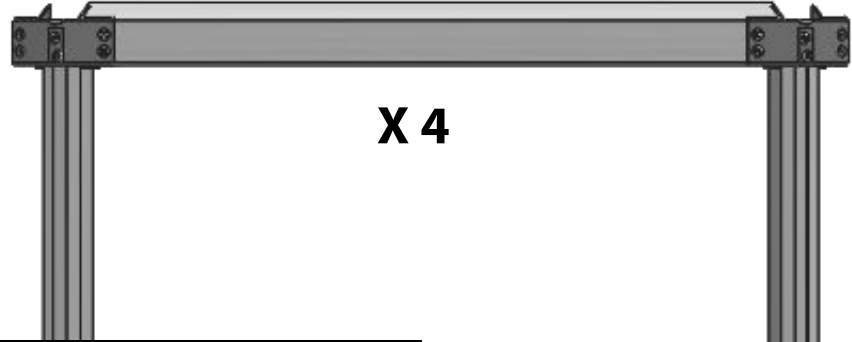
Once you have attached all the cast eaves brackets you can fix two standard side glazing bars to the eaves rails. Make sure the glazing bar is tight into the bracket (diagram 6), drill pilot holes and fix using 50mm CSK screws. Don't over tighten these screws as it may make it difficult to glaze later in the build.



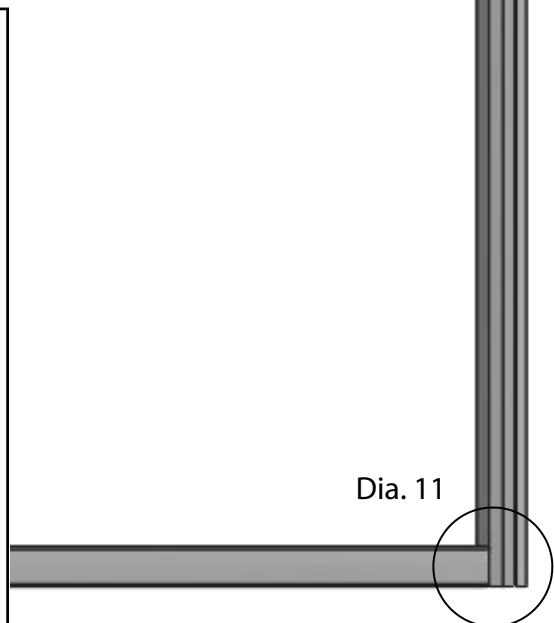
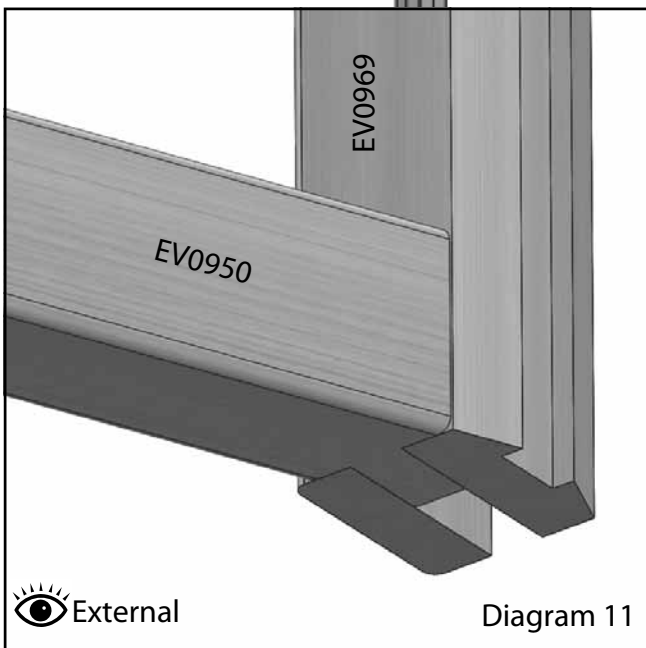
Side Assembly

Diagram 9

With the side glazing bars attached (diagram 9) you can now insert the mid rail. Drill a pilot hole through the side of the glazing bar and fix with an 80mm screw (diagram 10). Fix both ends of the mid rail like this.



Next slot the cill into place. This is not fixed at this stage, it is secured later in the build (diagram 11). Assemble **four** identical frames like this.

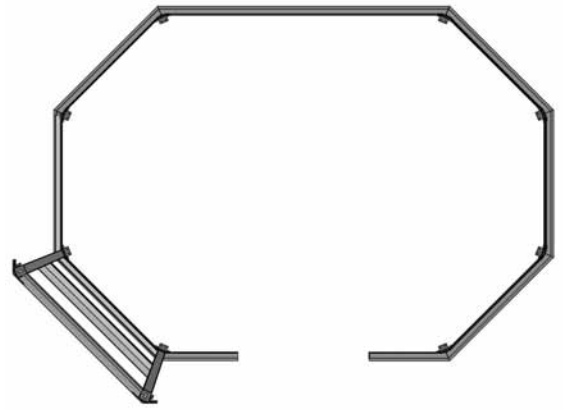


Side Assembly

Now you have four side frames assembled you can start assembling the greenhouse sides on the aluminium base. Place the first side assembly to the left of the door, position this on the base and either ask a helper to hold it in place or secure it to a step ladder.

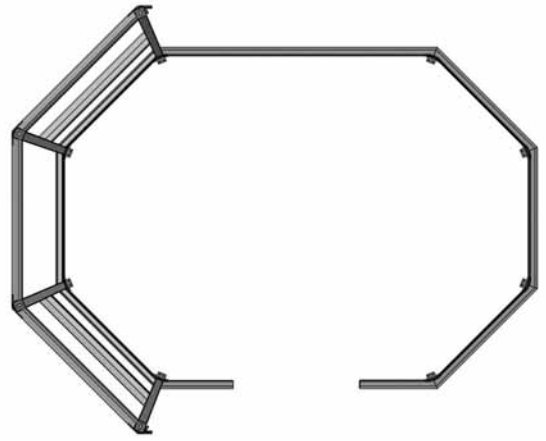
With this in place you will then need to slot a cill section (EV0950) in next to it ready for the next side frame.

Do **NOT** fix any frames or cills to the aluminium base, this is done after the door installation on page 19.



Side Assembly

Add the next side frame next, you can then slot an eaves rail (EV0953) into place. Remember to drill pilot holes and then fix with 40mm screws (diagram 14).



EV0953

Dia. 14

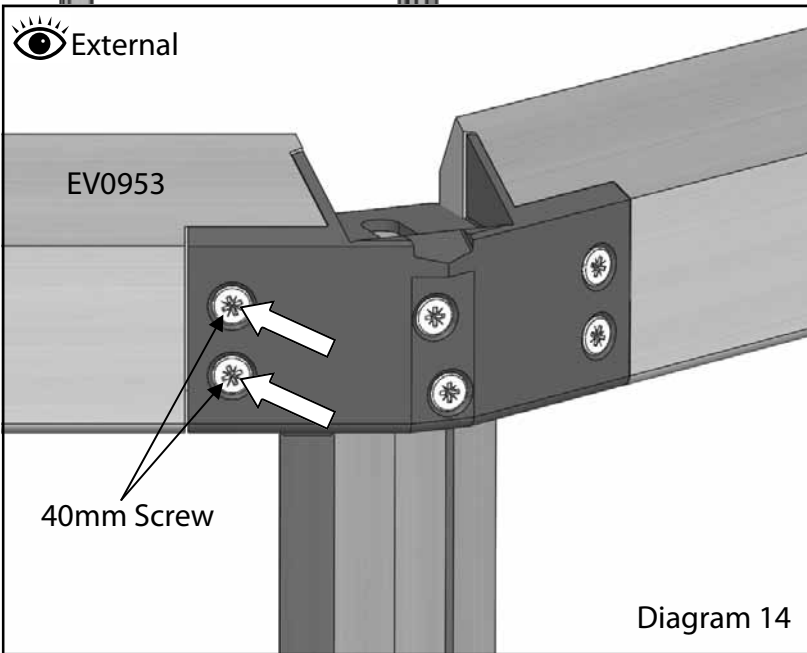
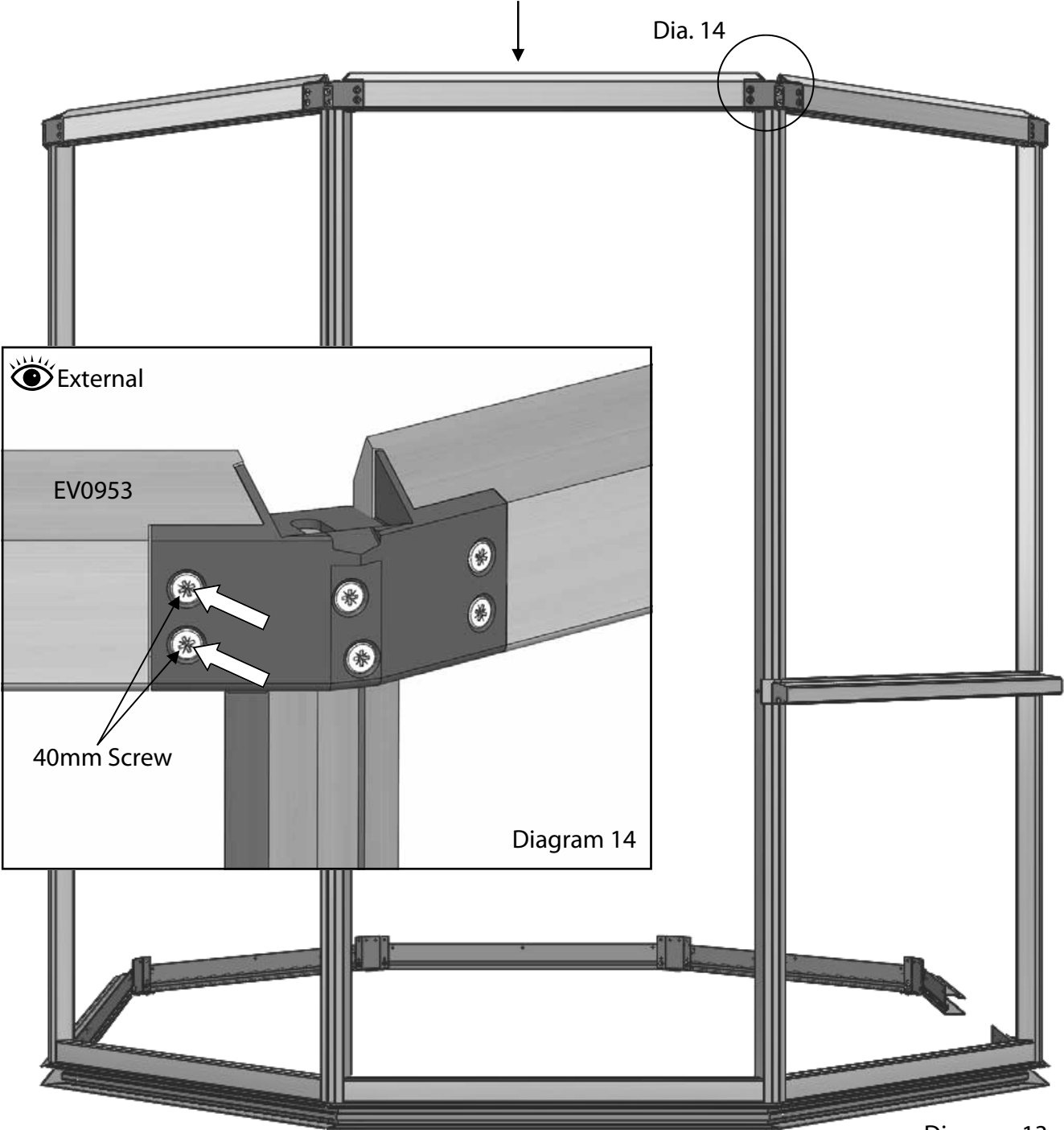


Diagram 13

Side Assembly

Slot two cill sections (EV0952) into place followed by the next standard side frame.

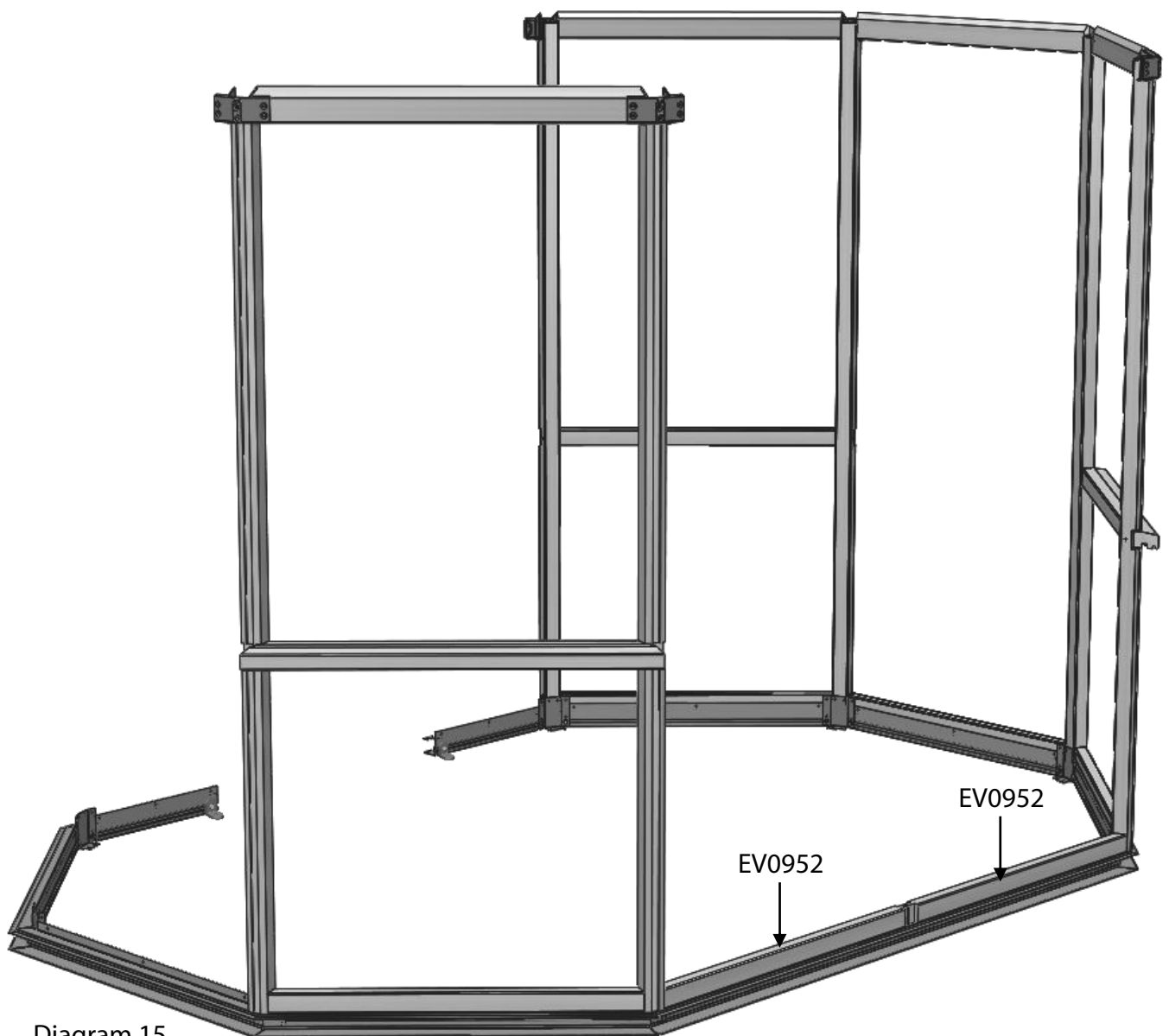
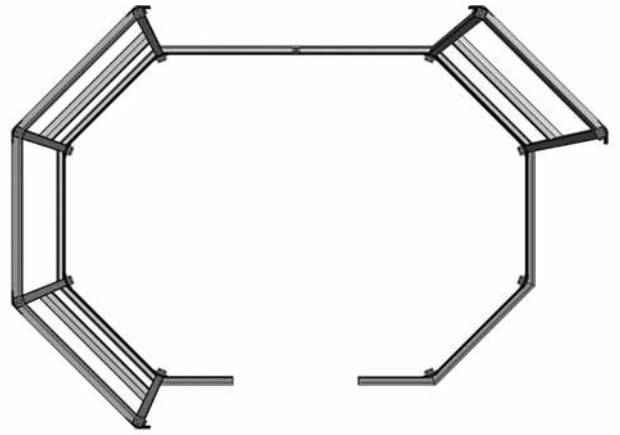


Diagram 15

Side Assembly

You now need to attach the rear glazing bar to the rear eaves section (EV0954). Drill a pilot hole in the outside face of the eaves bar into the mortice hole, then slot the top of the glazing bar into the mortice hole and fix with a 40mm countersunk screw (diagram 17).

Slot the assembly into place, locating the bottom of the glazing bar onto the tenons of the cill sections (diagram 18). Drill the pilot holes in the end of the eaves bar again and then fix with 40mm screws.

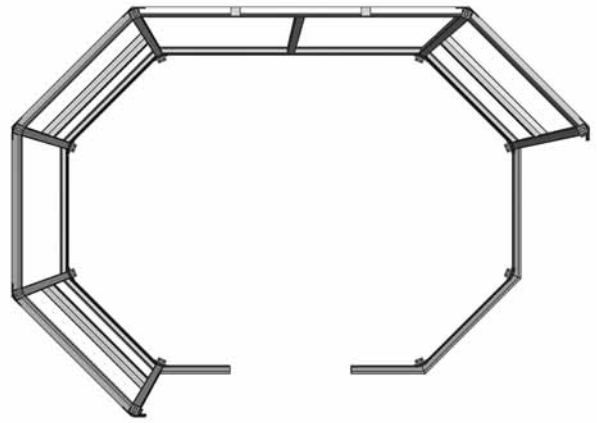


Diagram 16

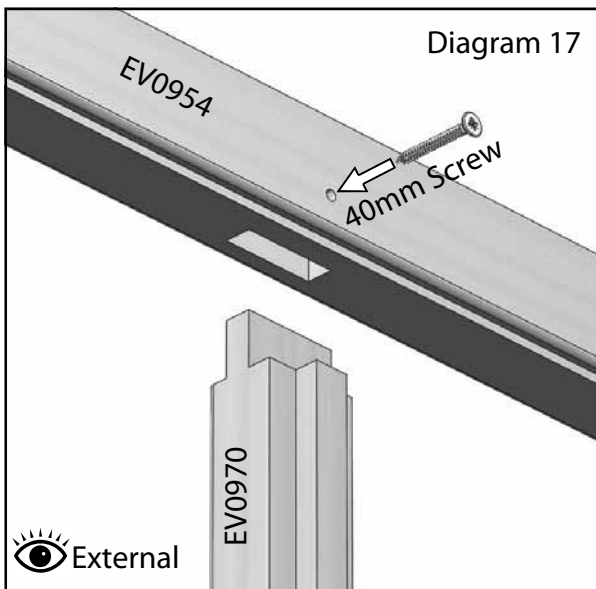


Diagram 17

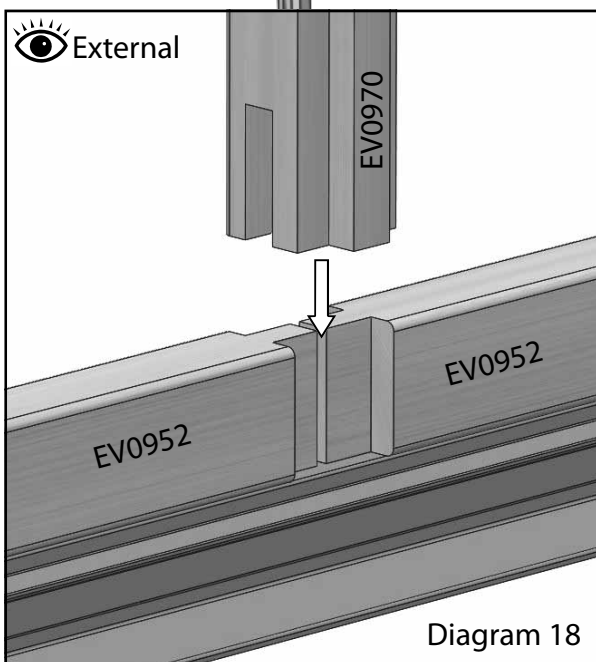
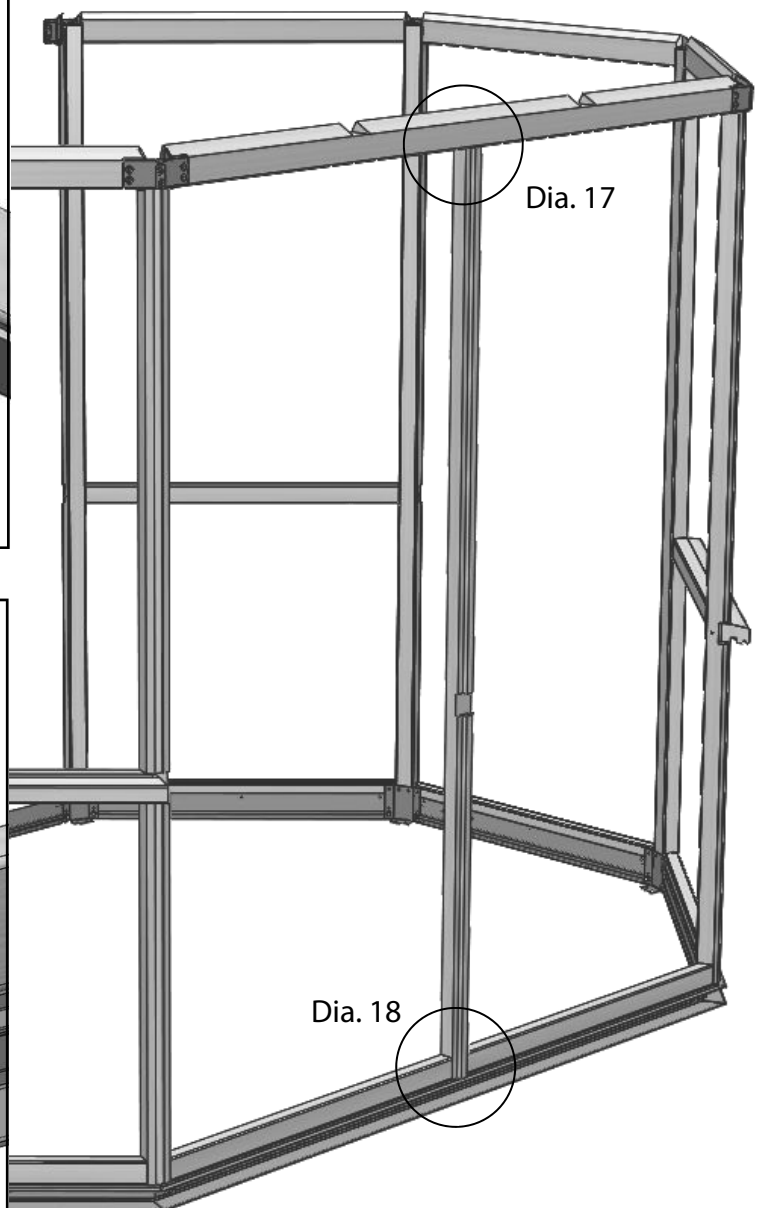


Diagram 18



Dia. 17

Dia. 18

Side Assembly

Slot the last EV0950 cill section into place and position the final side frame to the right of the door opening. With this in place you can now fit the eaves rail to secure it. Drilling and fixing with 40mm screws (diagram 20).

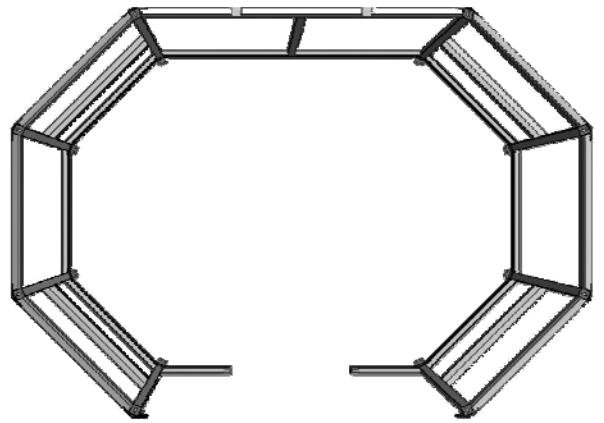
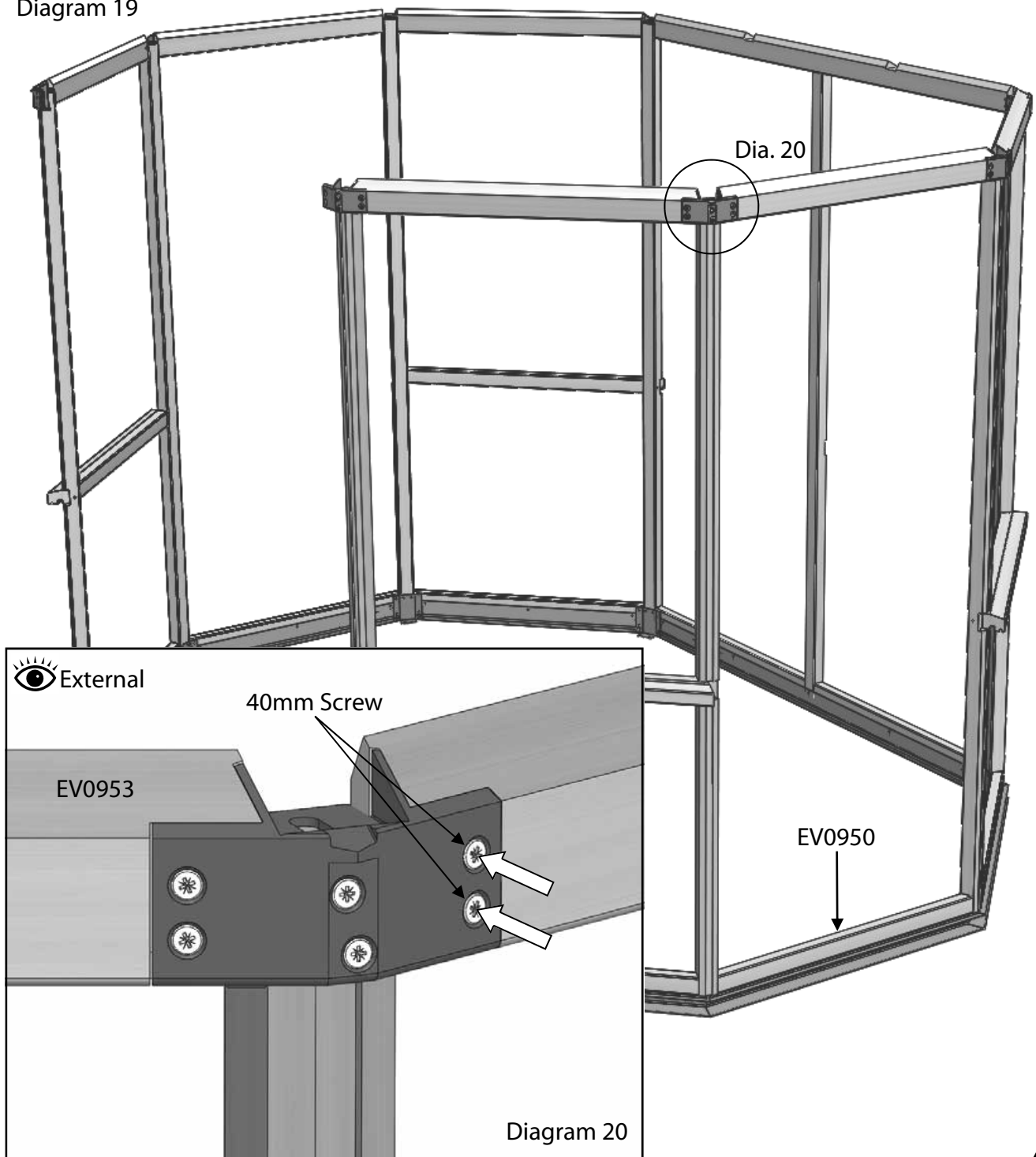


Diagram 19



Side Assembly

You now need to attach the last two glazing bars (EV0970) onto the front eaves section (EV0965). Drill two pilot holes in the outside face of the eaves bar into the mortice holes, then slot the top of the glazing bars into the mortise hole and fix with a 40mm countersunk screw (diagram 22).

Slot the assembly into place, locating the bottom of the glazing bar onto the tenons of the cill sections (diagram 23). Drill pilot holes in the end of the eaves bar again and then fix with 40mm screws.

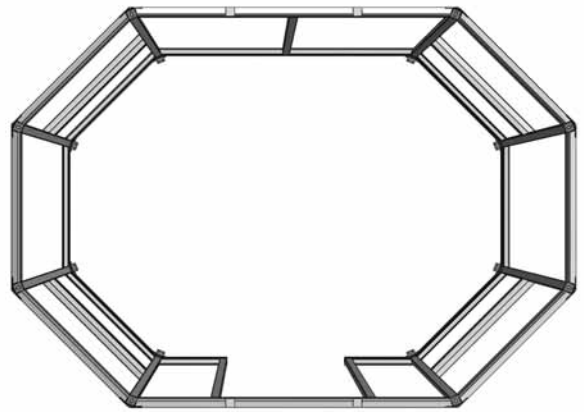


Diagram 21

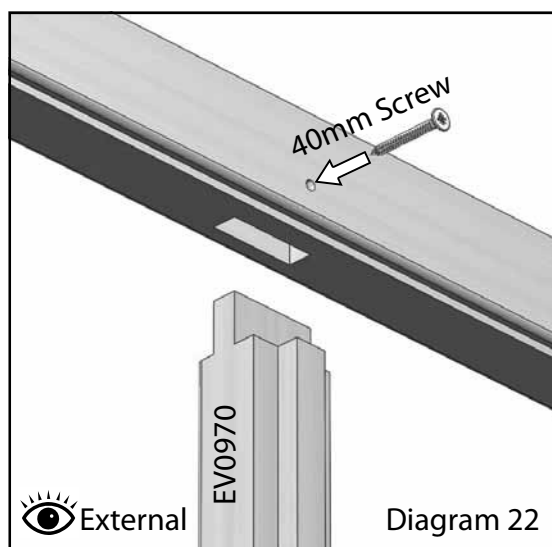
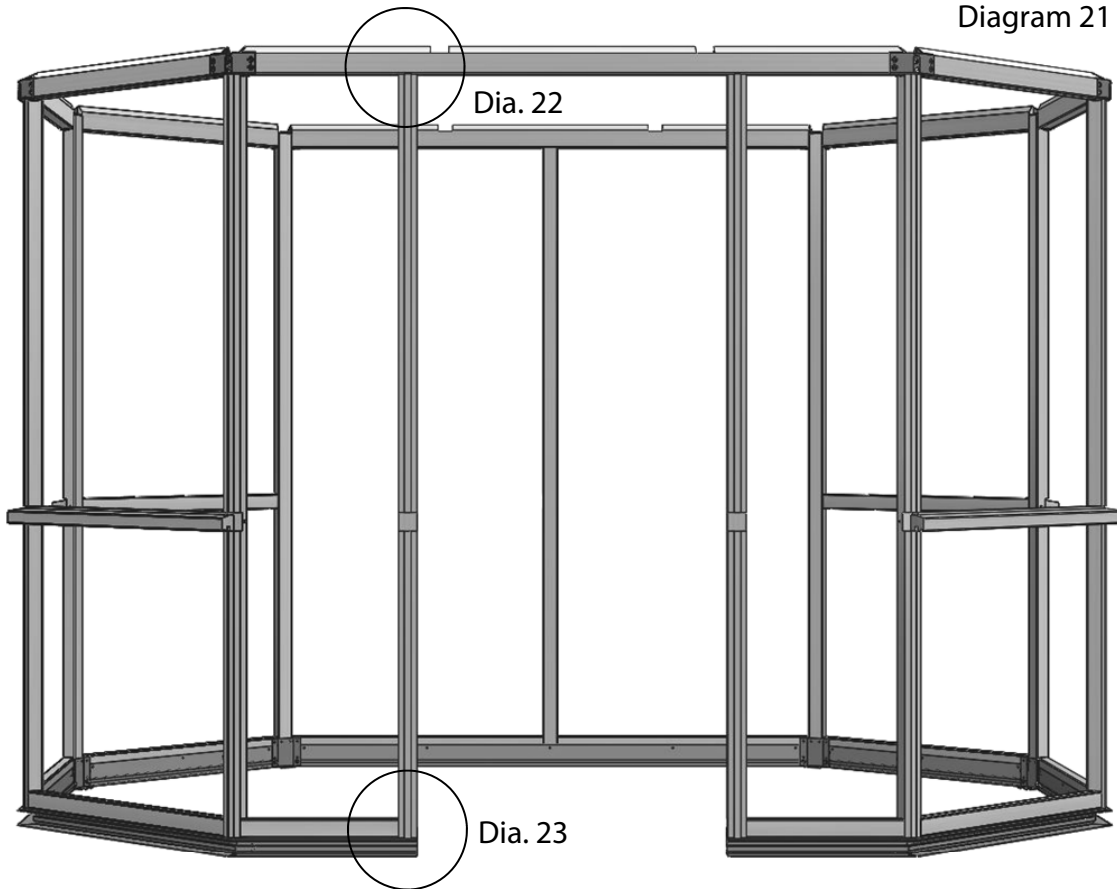


Diagram 22

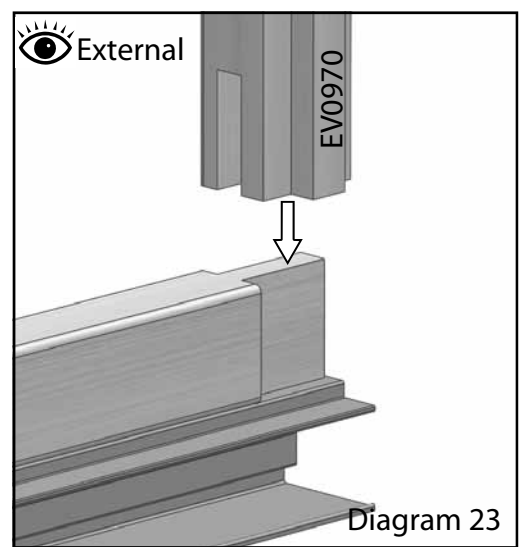


Diagram 23

Side Assembly

Now the mid rails can be fitted with 40mm Pan head screws, note that the screw positions on the mid rail brackets (EV0999M) are different in diagram 25 and 26. This is to leave space for the staging brackets. There is also an order to inserting the screws, follow the order on the diagrams as it makes installing them a little easier. 1 and 2 go into a fixed mid rail that was part of a side frame, 3 and 4 go into the loose mid rail and 5 always picks up the loose mid rail through the tenon.

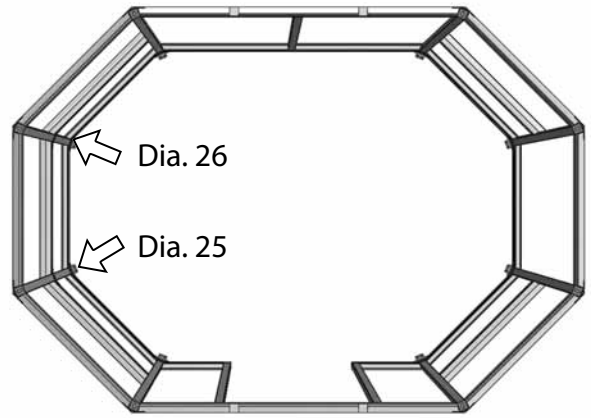
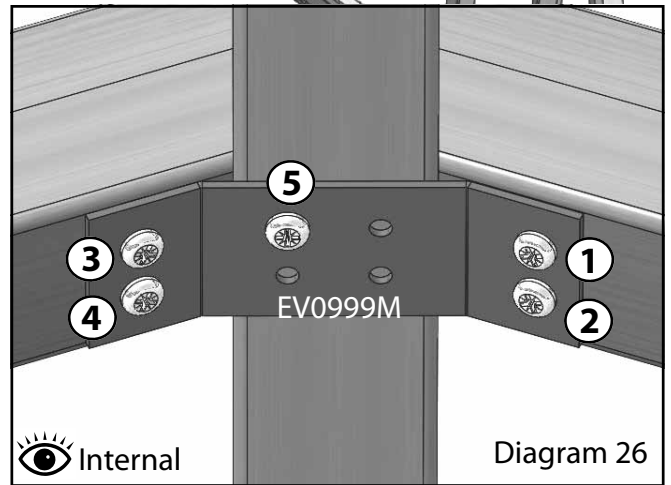
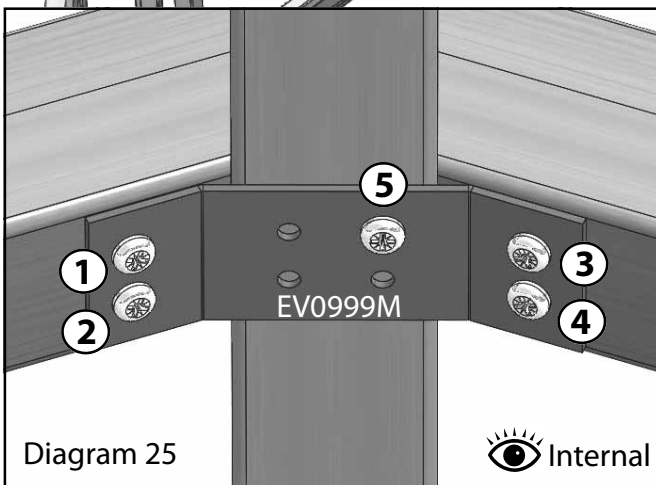
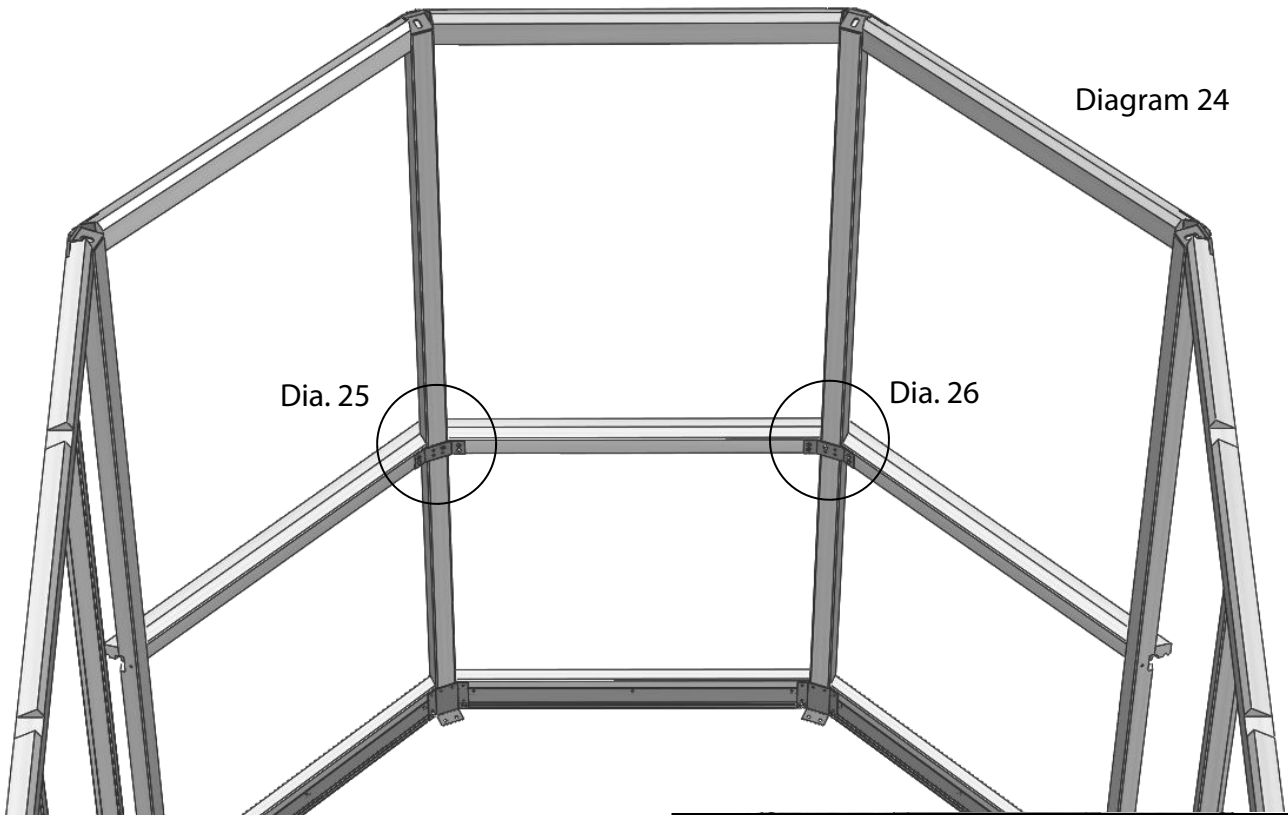
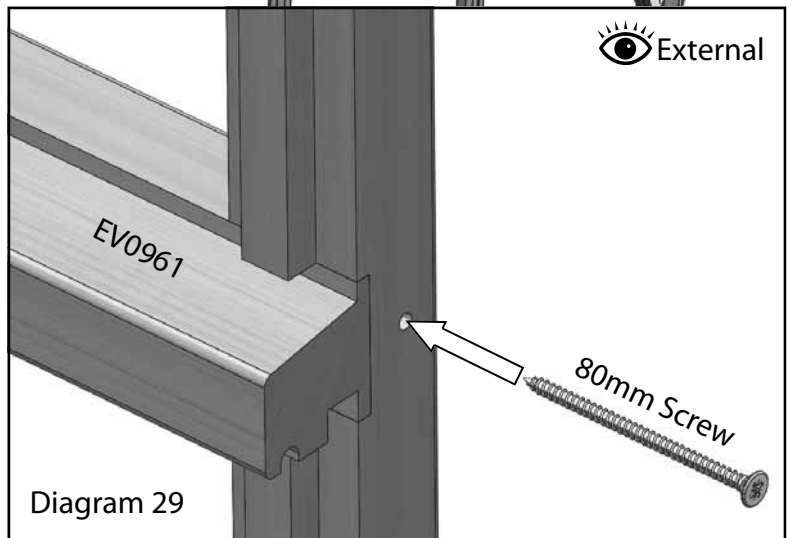
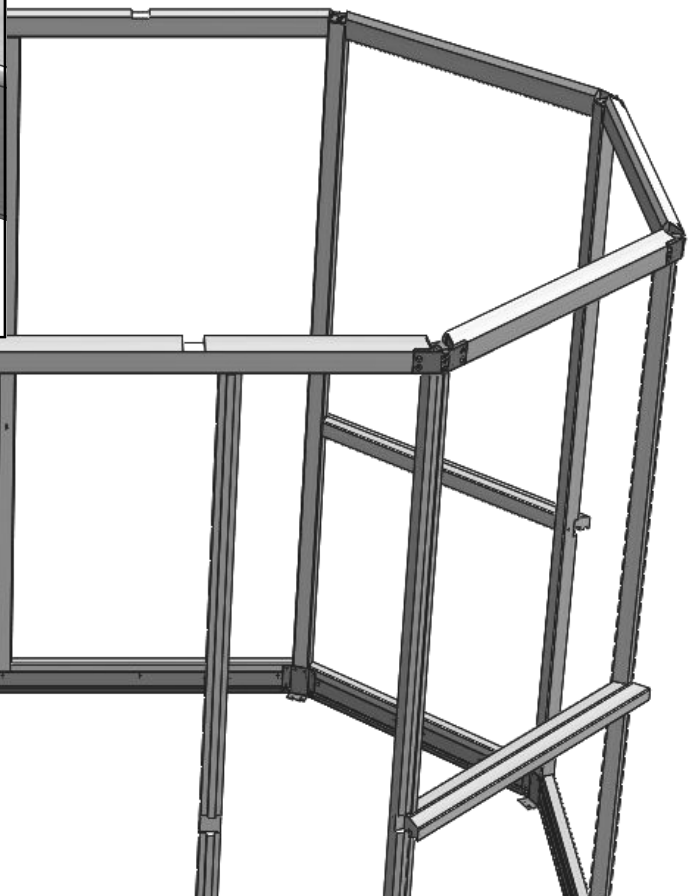
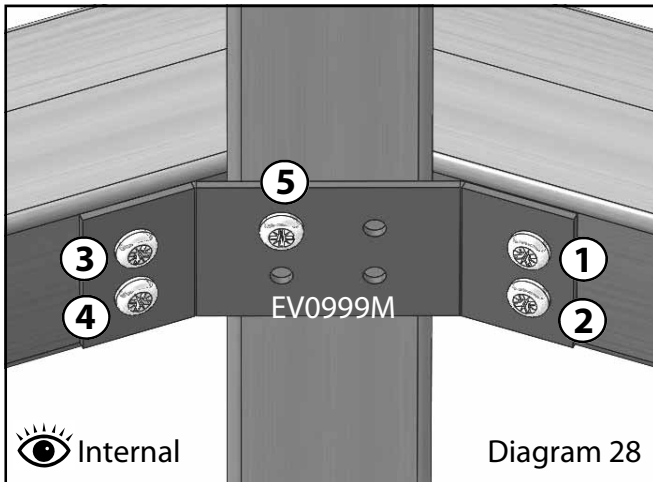
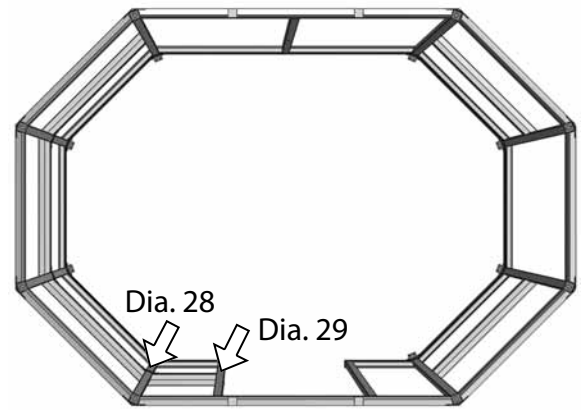


Diagram 24



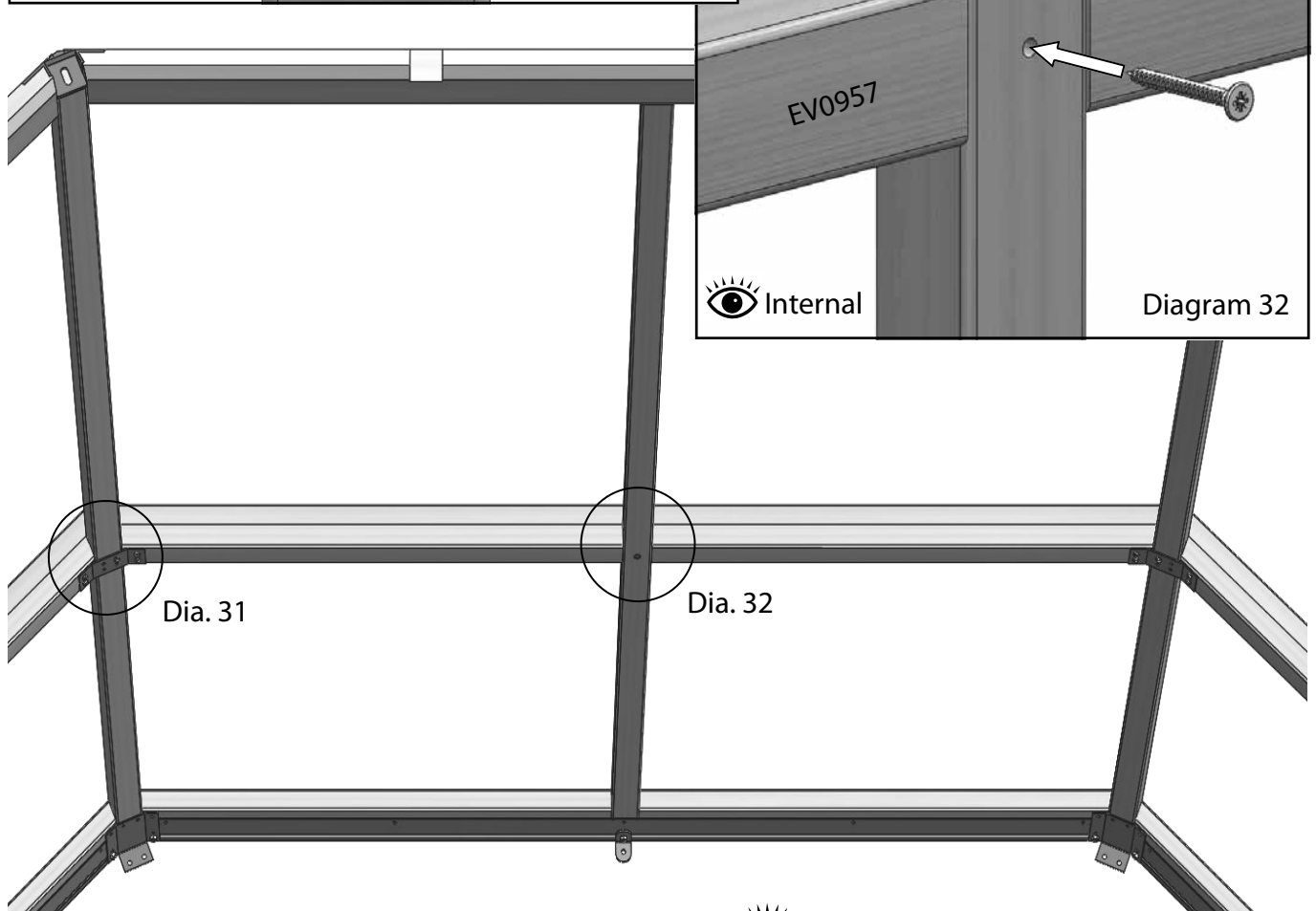
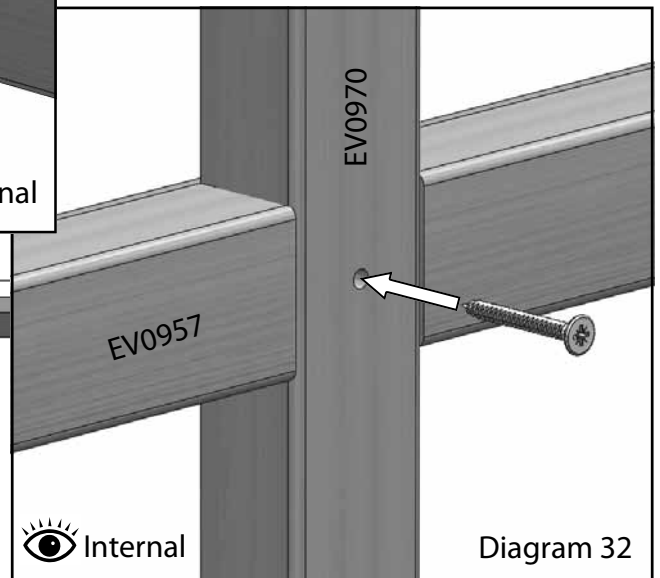
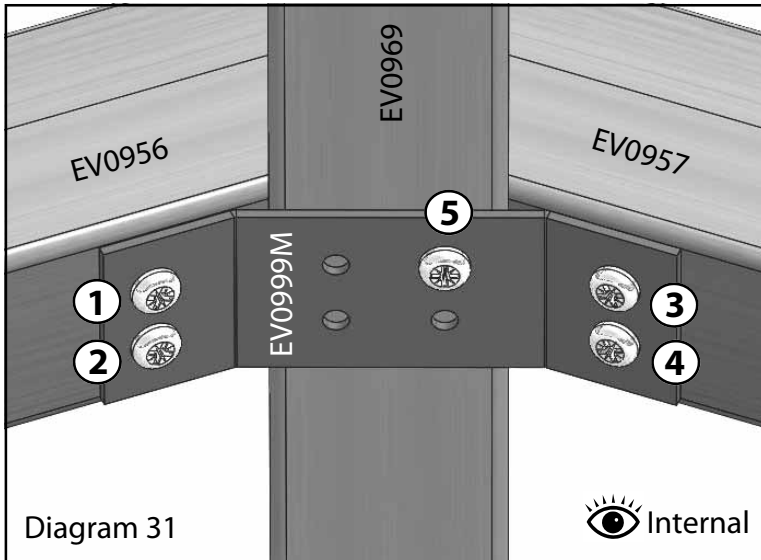
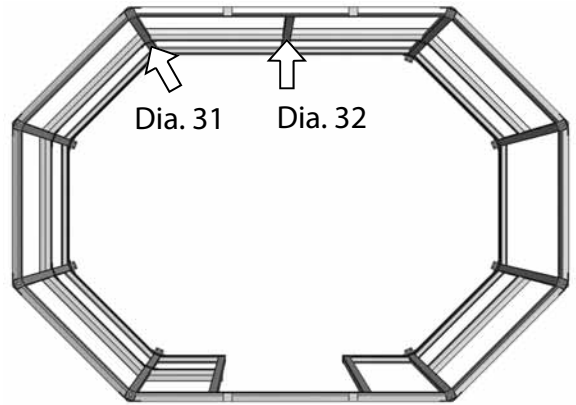
Side Assembly

Next install the short section to the left of the door (EV0961). Slot this into place and fix with a mid rail bracket (EV0999M), diagram 28. Then drill a pilot hole through the side of the glazing bar to the left of the door and secure the mid rail with an 80mm screw (diagram 29).



Side Assembly

Now slot the rear mid rail (EV0957) into position. Fix this with a mid rail bracket (diagram 31). Then drill a pilot hole through the inside face of the rear glazing bar central to the mid rail and fix with a 50mm countersunk screw (diagram 32).



Internal Diagram 30

Side Assembly

Once you have fitted the brackets to one side, do the same on the other side as a mirror image. Remember that screw 5 always picks up the loose mid rail through the glazing bar.

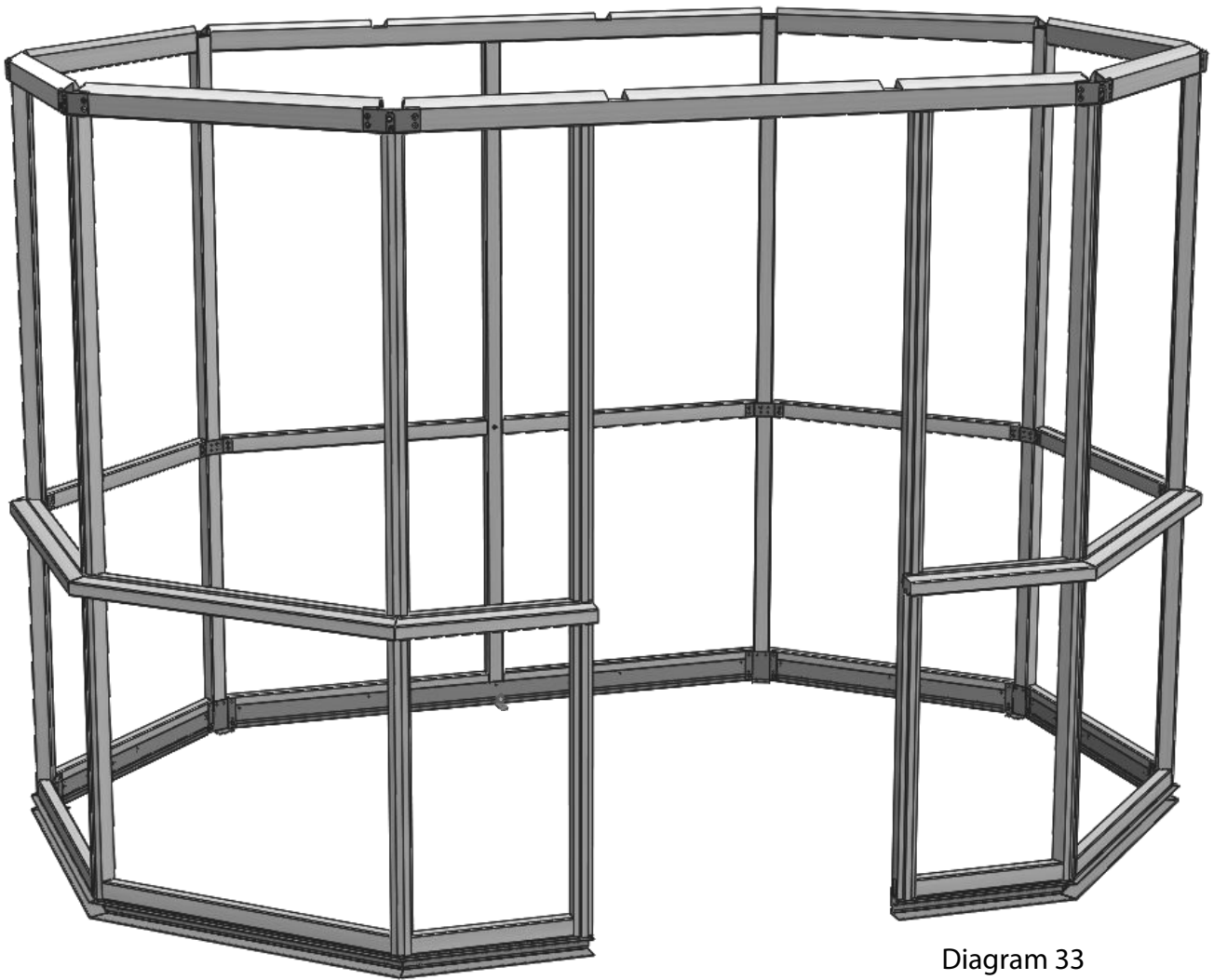
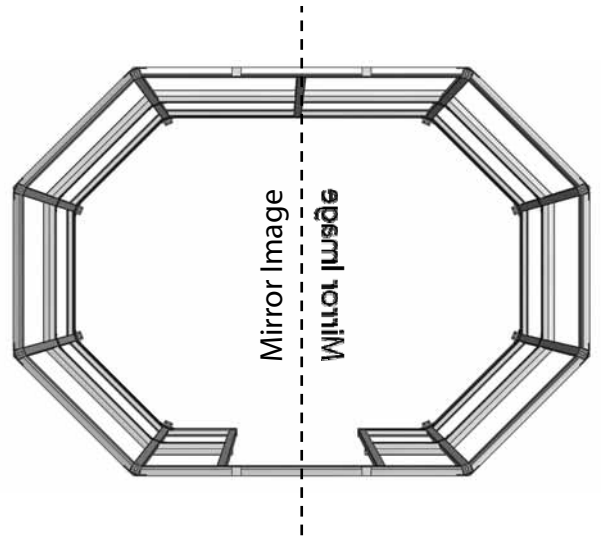
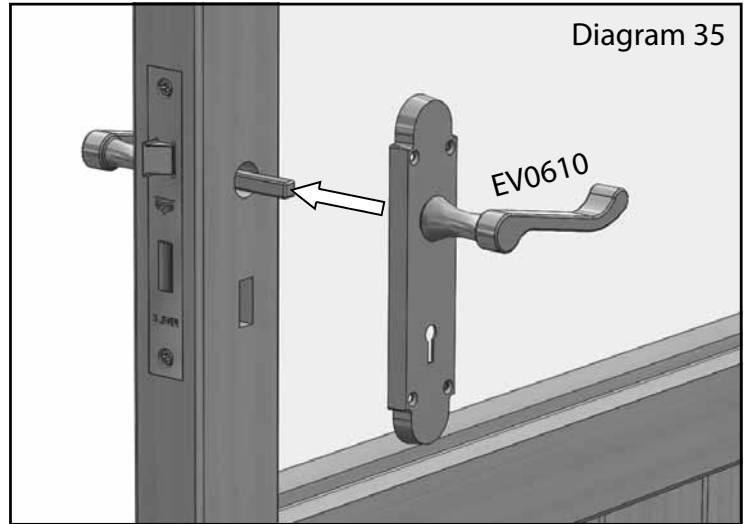
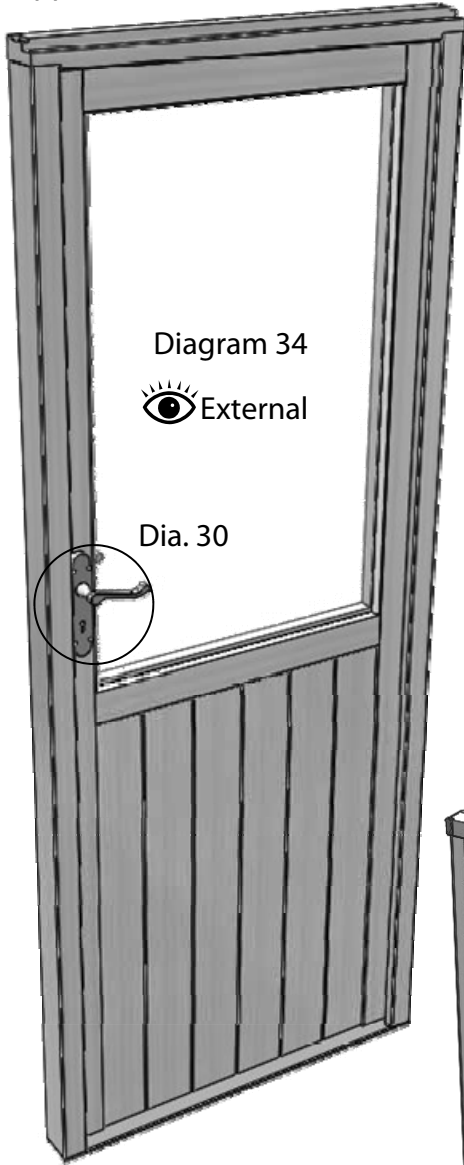
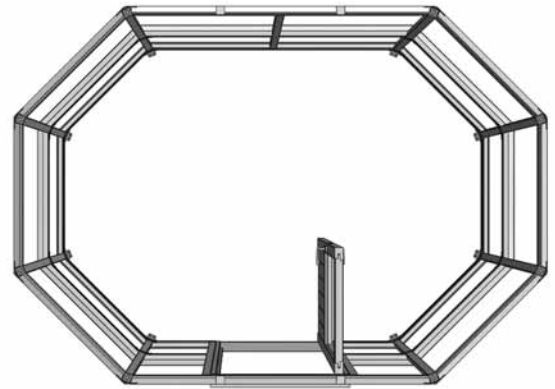


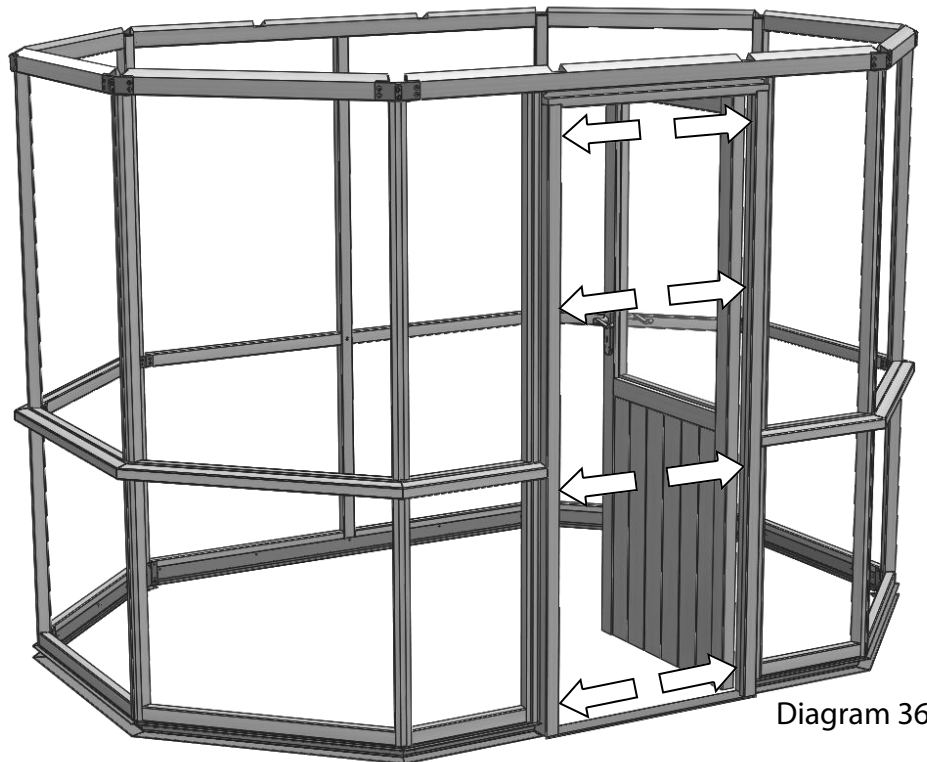
Diagram 33

Door Installation

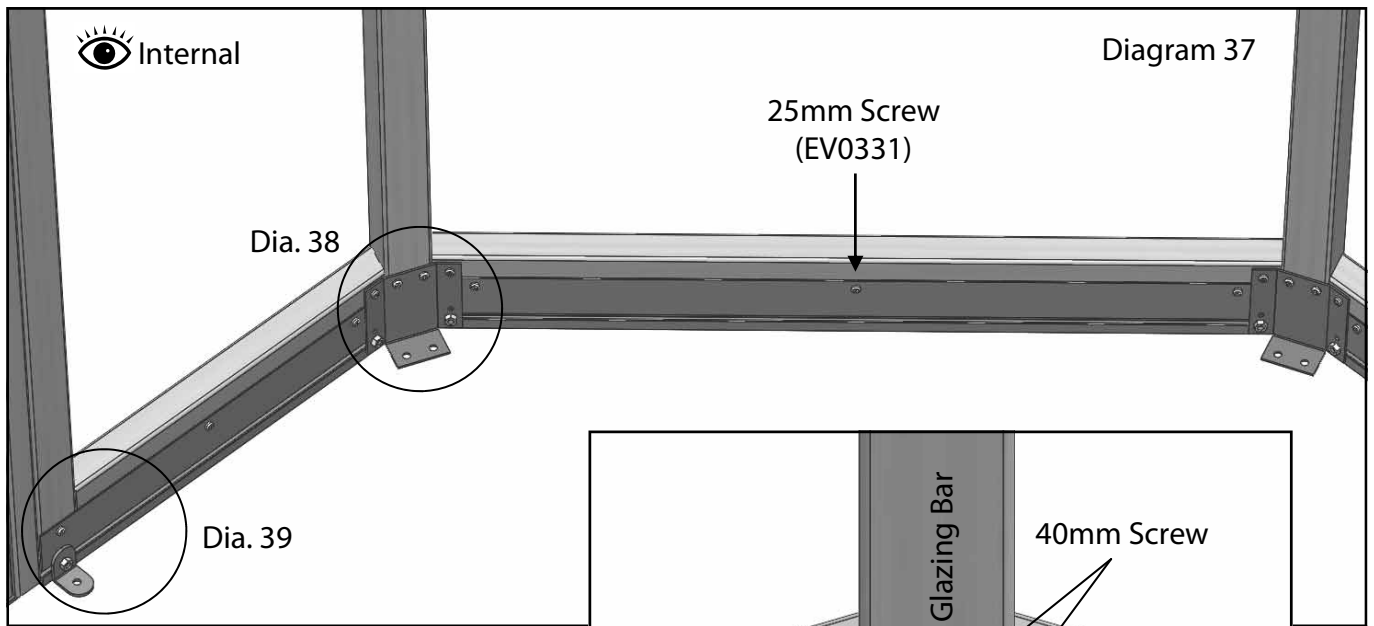
Before you can install the door section you need to fit the door handle (EV0610). Slide the spindle through the lock to give you the position of the handle on the door. Fix the handle with the 3.5 x 25mm countersunk screws supplied.



Slot the door section into the assembly, the internal surfaces should be flush. Once in position drill pilot holes and fix with 50mm screws (EV0333), suggested locations shown by the arrows in diagram 36.

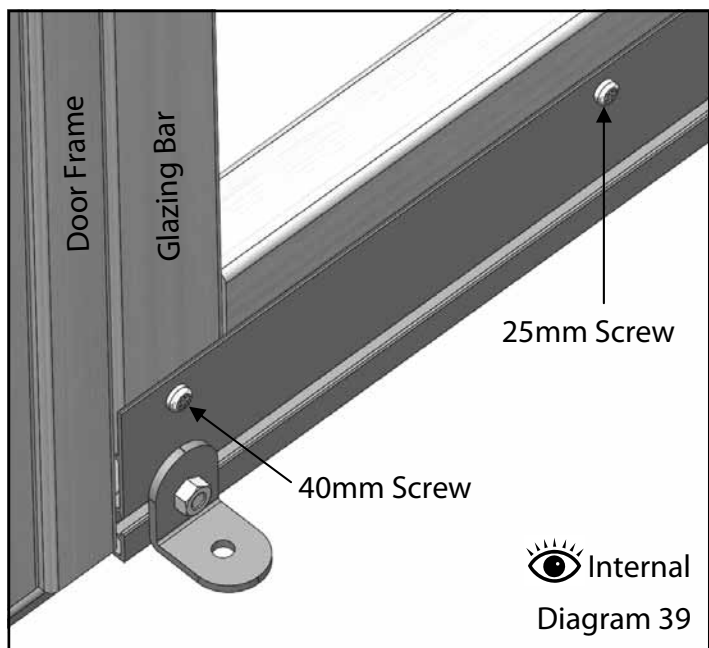
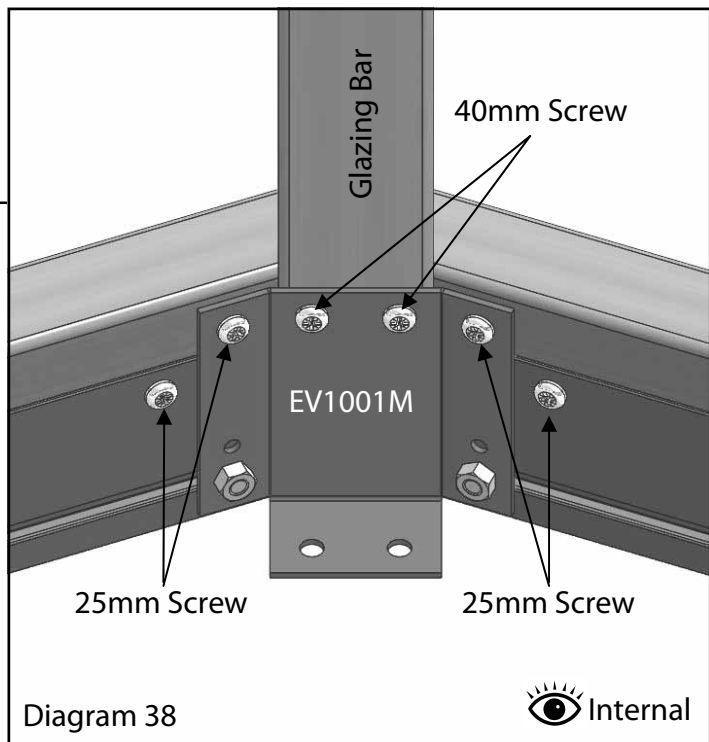


Fix to Aluminium Base



With the door frame fixed to the assembly you can now fix the aluminium base to the greenhouse frame. Follow the examples in diagrams 37, 38 and 39, these show what size screw should be used. On each base bracket, its best to start by fixing the 40mm Pan head screws (EV0332) followed by the 25mm Pan head screws (EV0331). You may find you need to loosen the nuts slightly to get the best fit, remember to tighten them again afterwards.

N.B. Only use 25mm Pan head screws for screwing into the cill section (diagram 37).

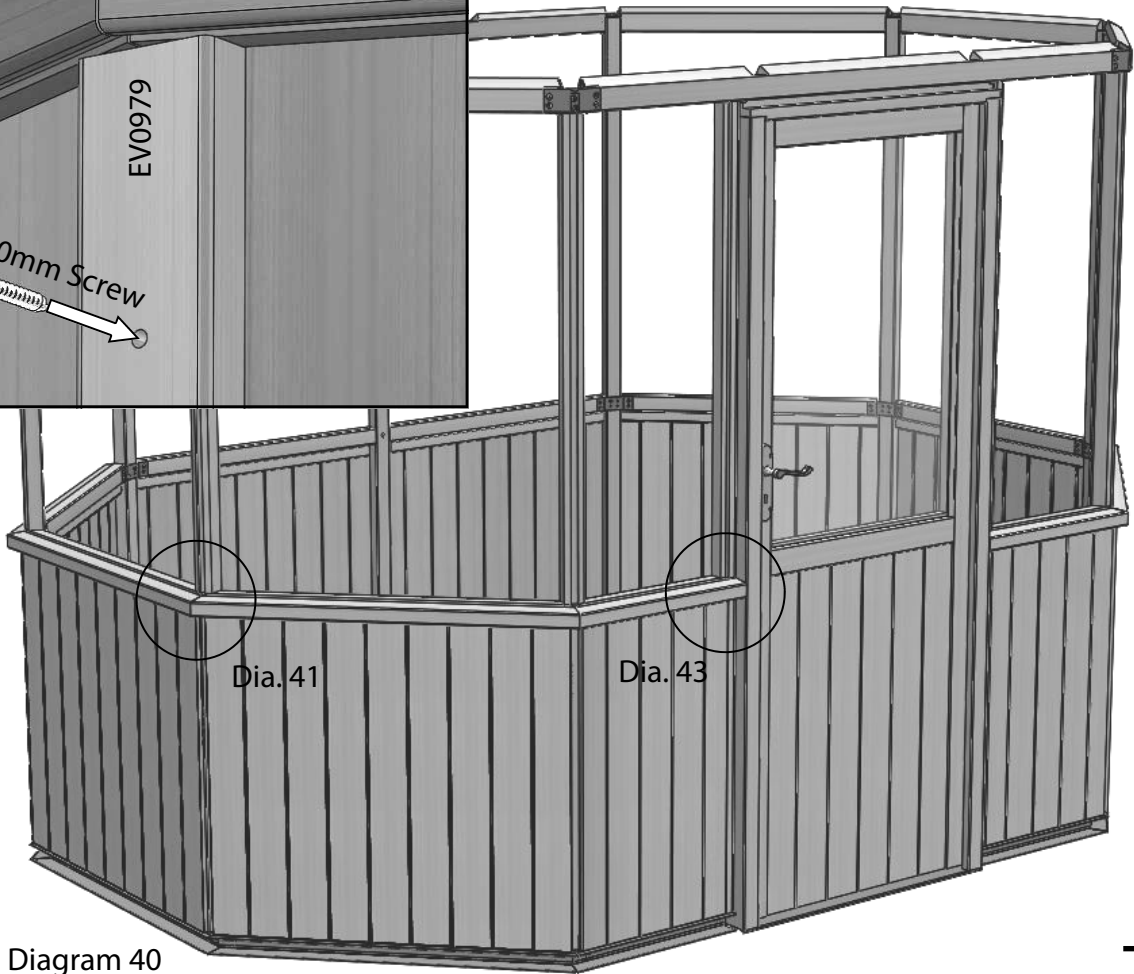
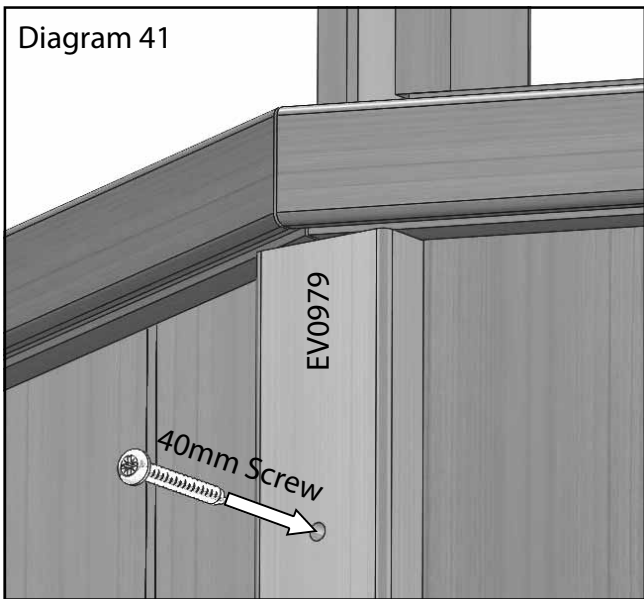
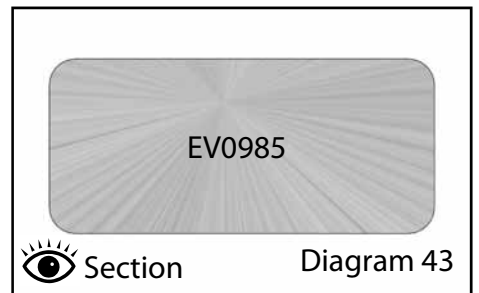
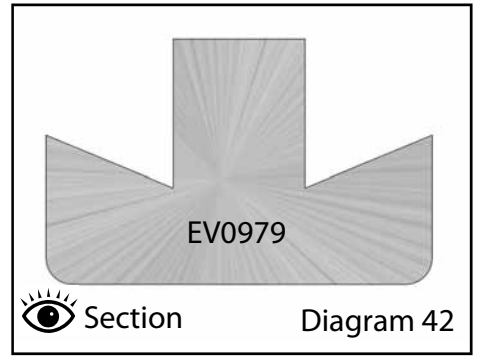


Board Installation

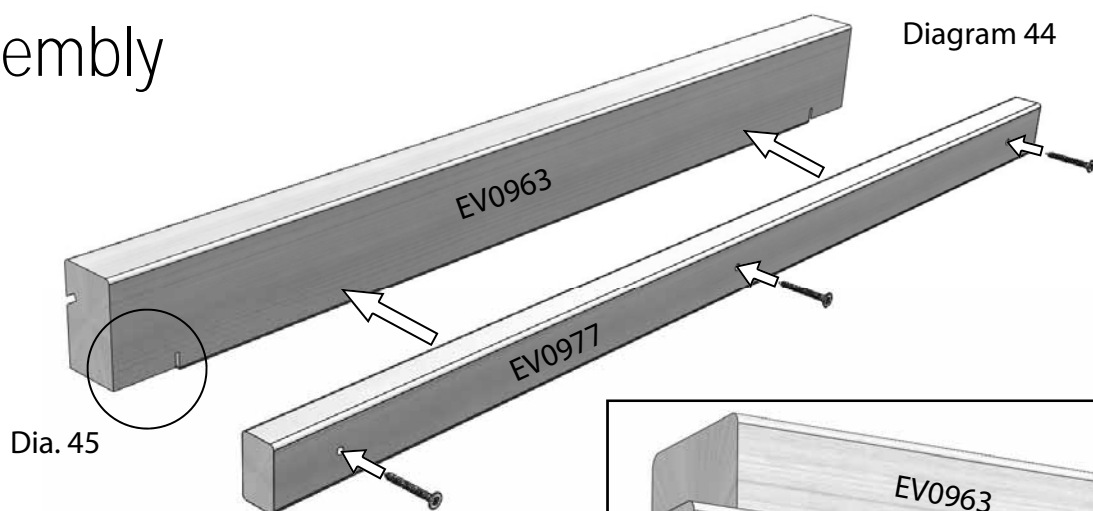
If you have purchased the low level louvre you can either fit it now or simply leave out the board where you want the louvre to be positioned and fit it later.

To fit the boards slot the top edge into the mid rail (the top of the board has the baton closest to the edge), then push the bottom of the board in until it touches the frame. The board will drop slightly and the bottom baton will rest on the cill.

Work your way around the building until all the boards are in place. Once in position you can fix them with the cedar panel capping (EV0979), diagram 42. This capping is used all around the building apart from either side of the door and in the middle of the rear panels, special capping is used here (diagram 43). Fix the capping in place with 40mm Pan head screws (diagram 41).

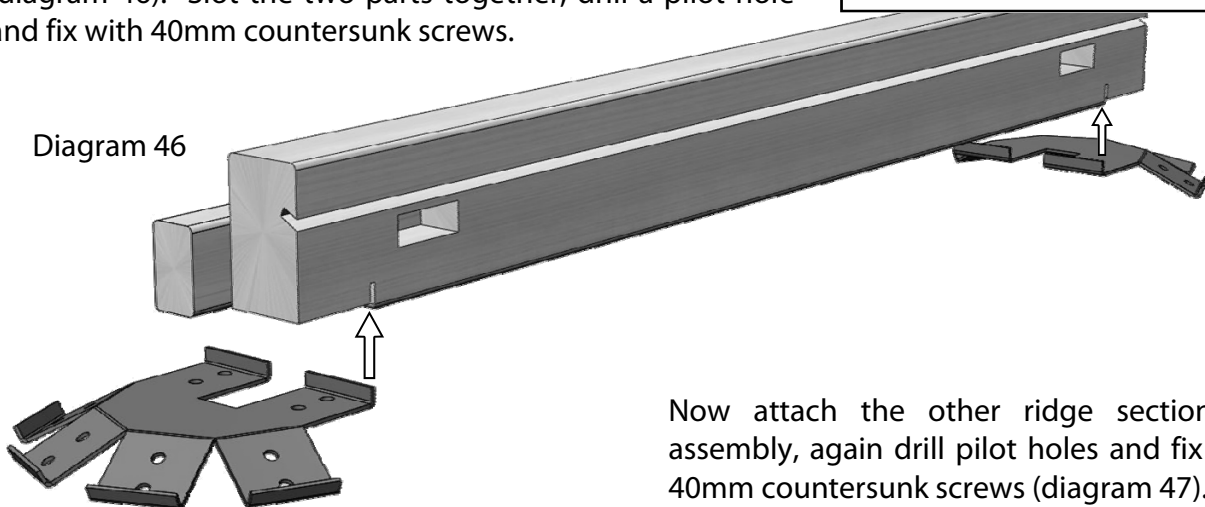
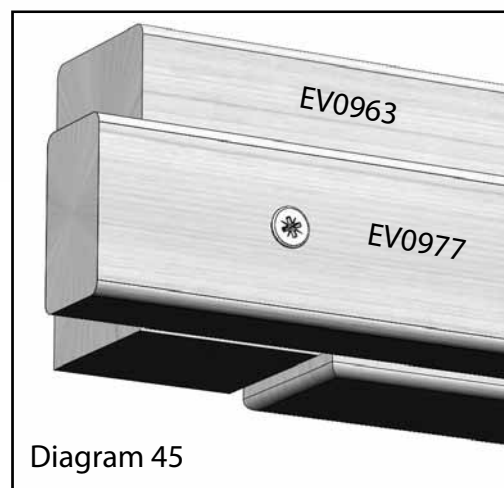


Roof Assembly

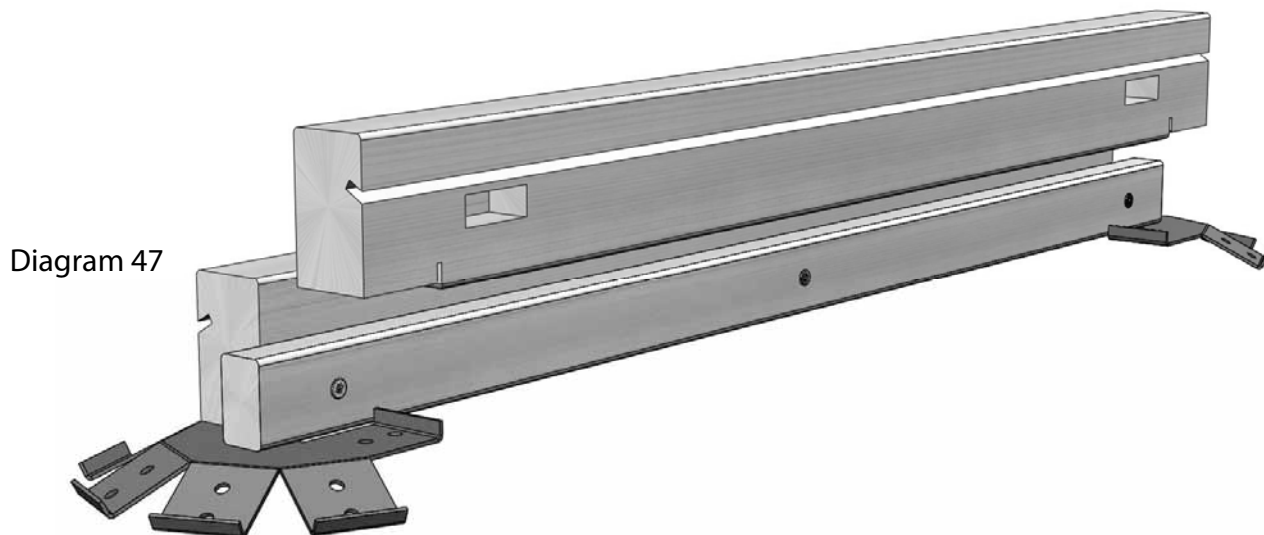


To install the roof you first need to assemble the ridge. Take one of the roof sections (EV0963) and fix the ridge infill section (EV0977) to it using 40mm countersunk screws, diagram 44. The infill section should be level with the notches on the underside of the ridge and over hang each end by about 25mm.

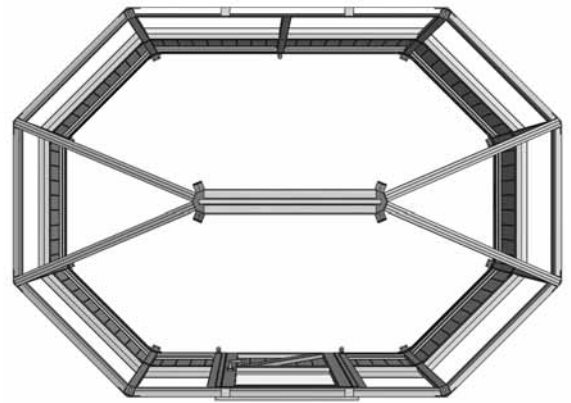
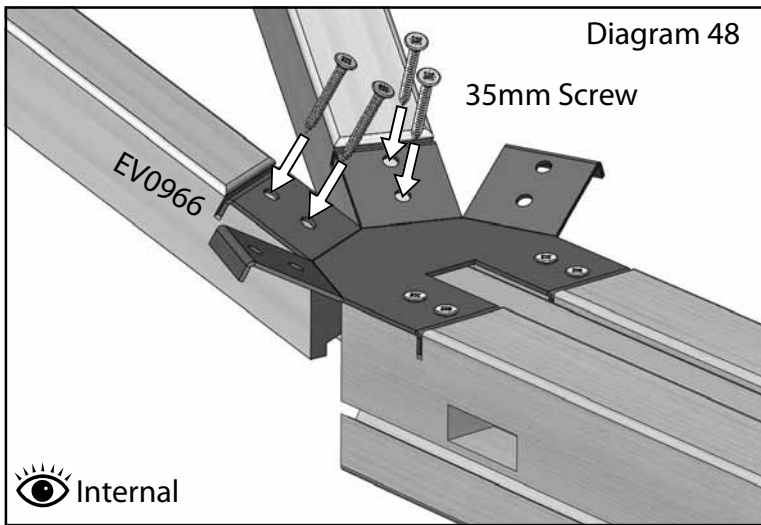
Next you can attach the two ridge brackets EV1004. Line the tab up with the groove on the underside of the ridge bar (diagram 46). Slot the two parts together, drill a pilot hole and fix with 40mm countersunk screws.



Now attach the other ridge section to the assembly, again drill pilot holes and fix this with 40mm countersunk screws (diagram 47).

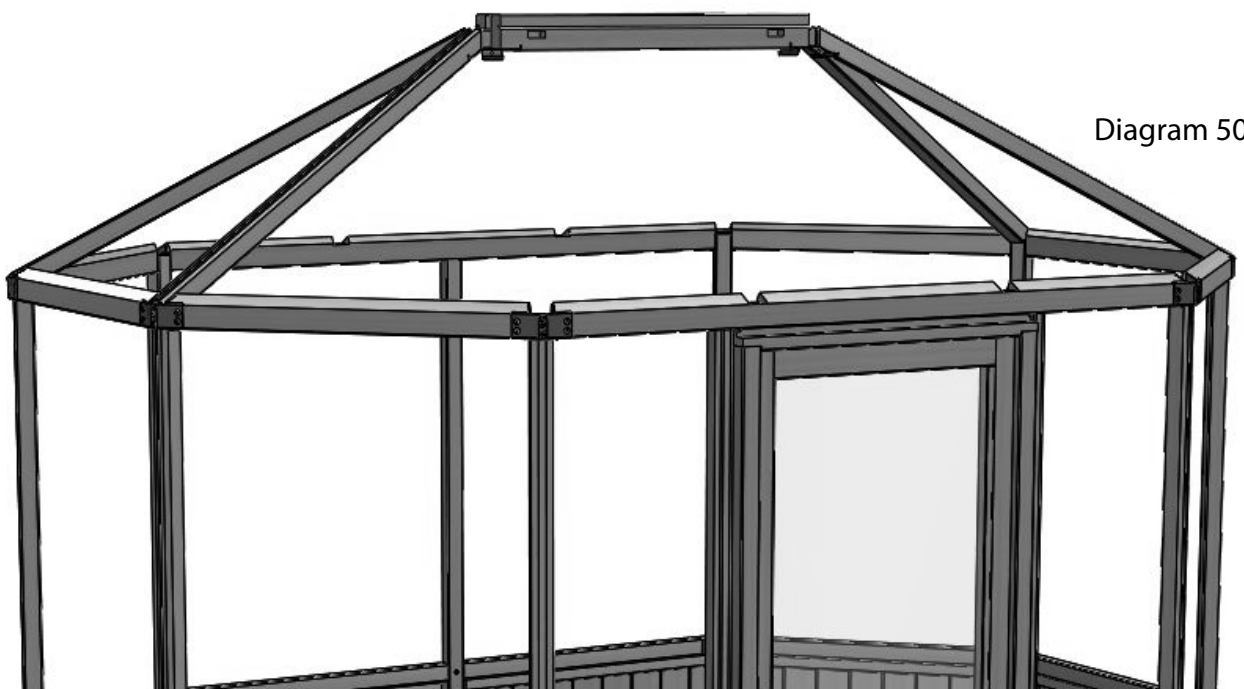
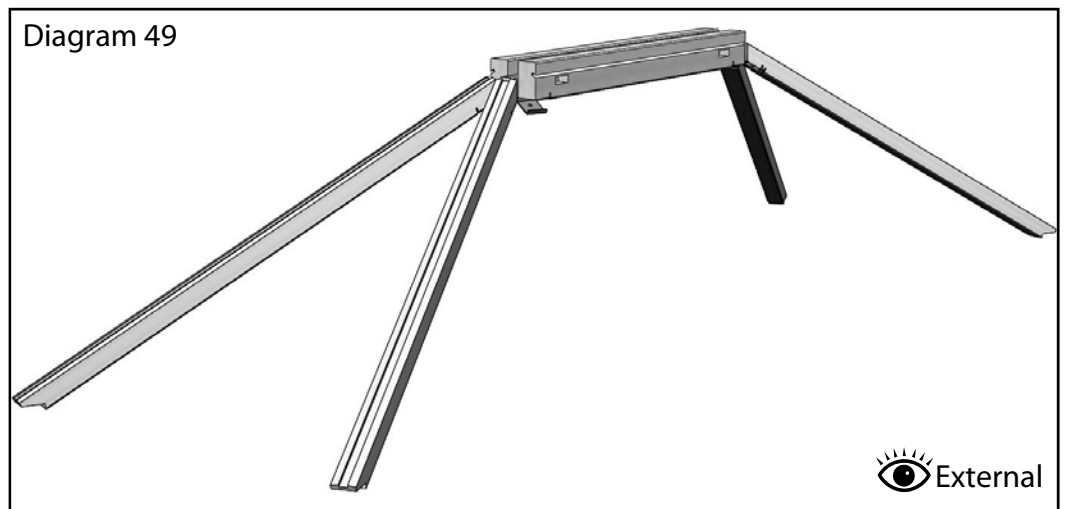


Roof Assembly



Now attach four roof bars on the middle tabs of the ridge brackets. Drill pilot holes before fixing these with 35mm countersunk screws (diagram 48).

This assembly can then be offered up to the main building assembly, each end of the roof bar will slot into the cast eaves bracket at the top of the side glazing bars (diagram 50).



Roof Assembly

Slot the rest of the end roof bars into place, locating them on the top bracket first then lowering them down to the eaves bracket. When in place drill and fix all the bars to the top bracket with 35mm screws. Now fit the middle glazing bars into the ridge then lower them down onto the trench in the eaves bars. Drill pilot holes top and bottom and fix with 50mm screws.

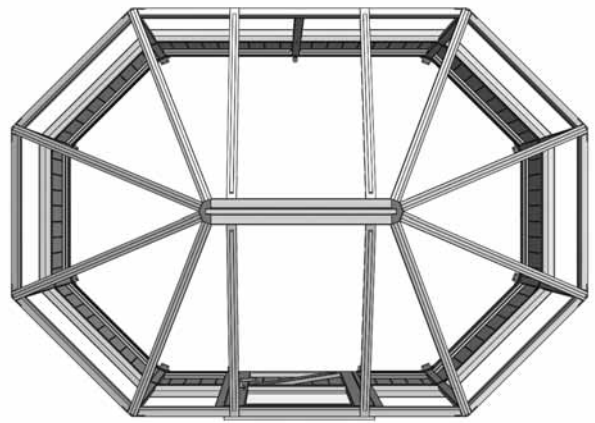


Diagram 52

External

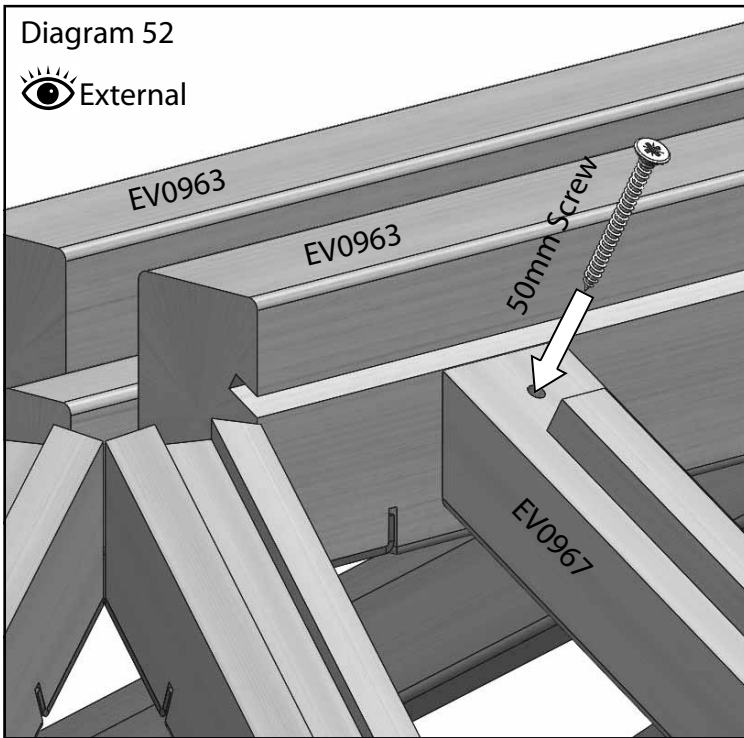
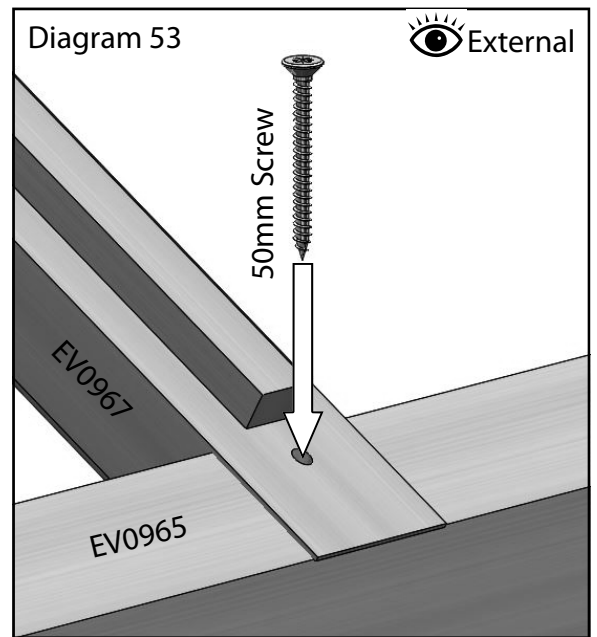
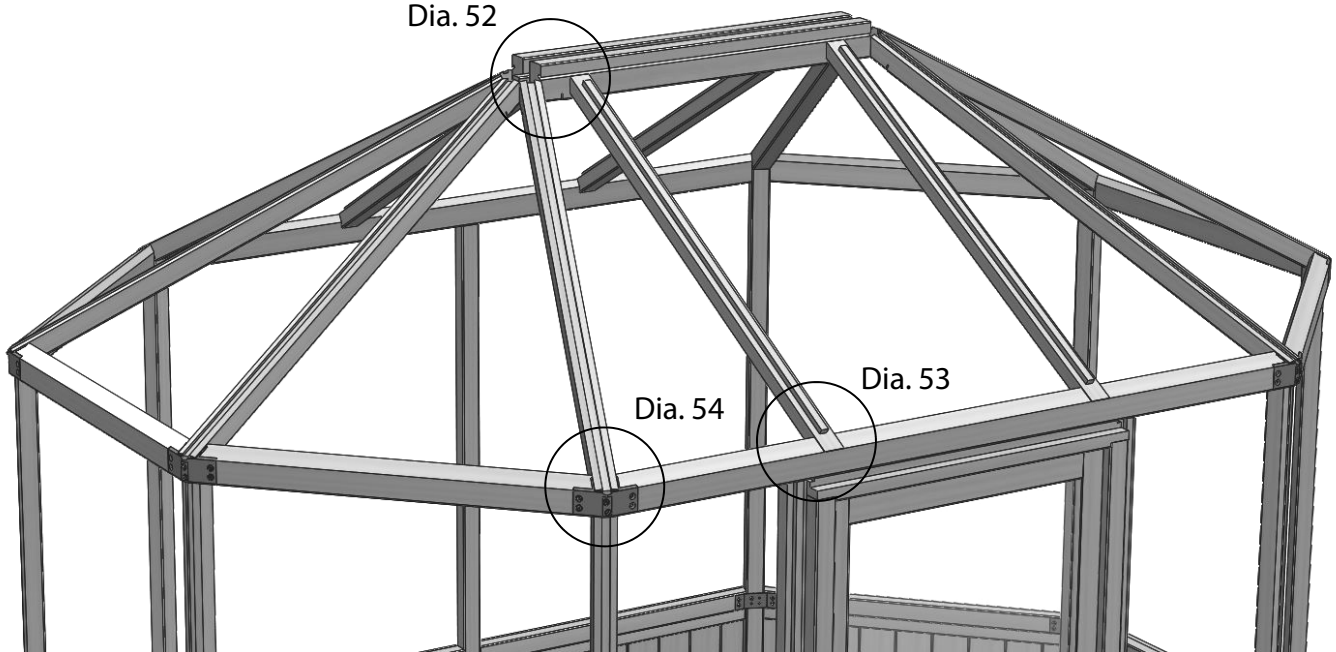


Diagram 53

External

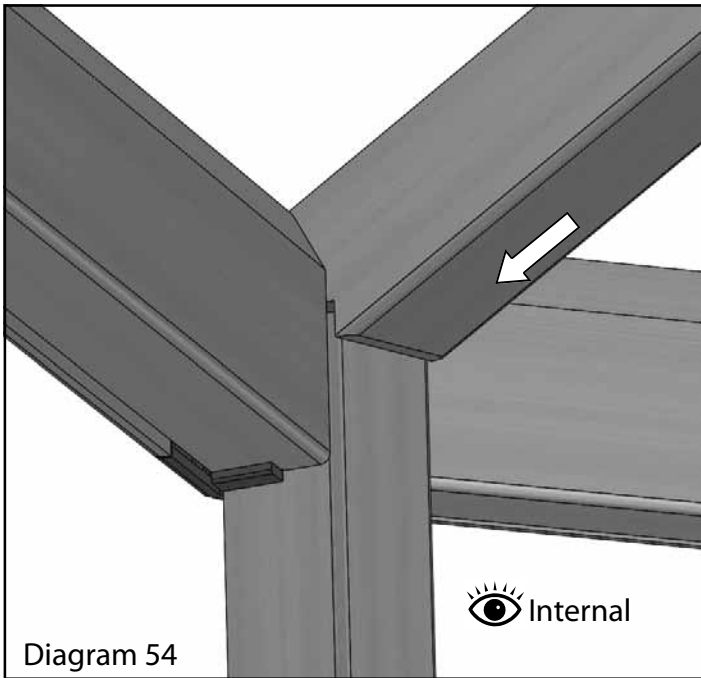


Dia. 52



External Diagram 51

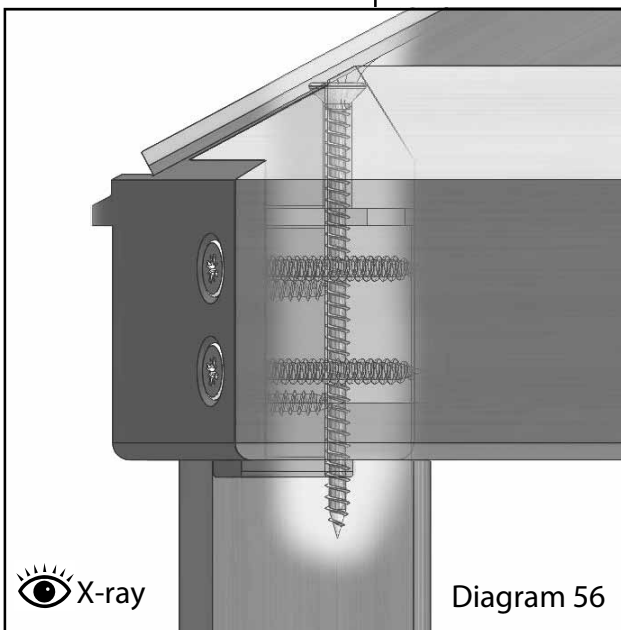
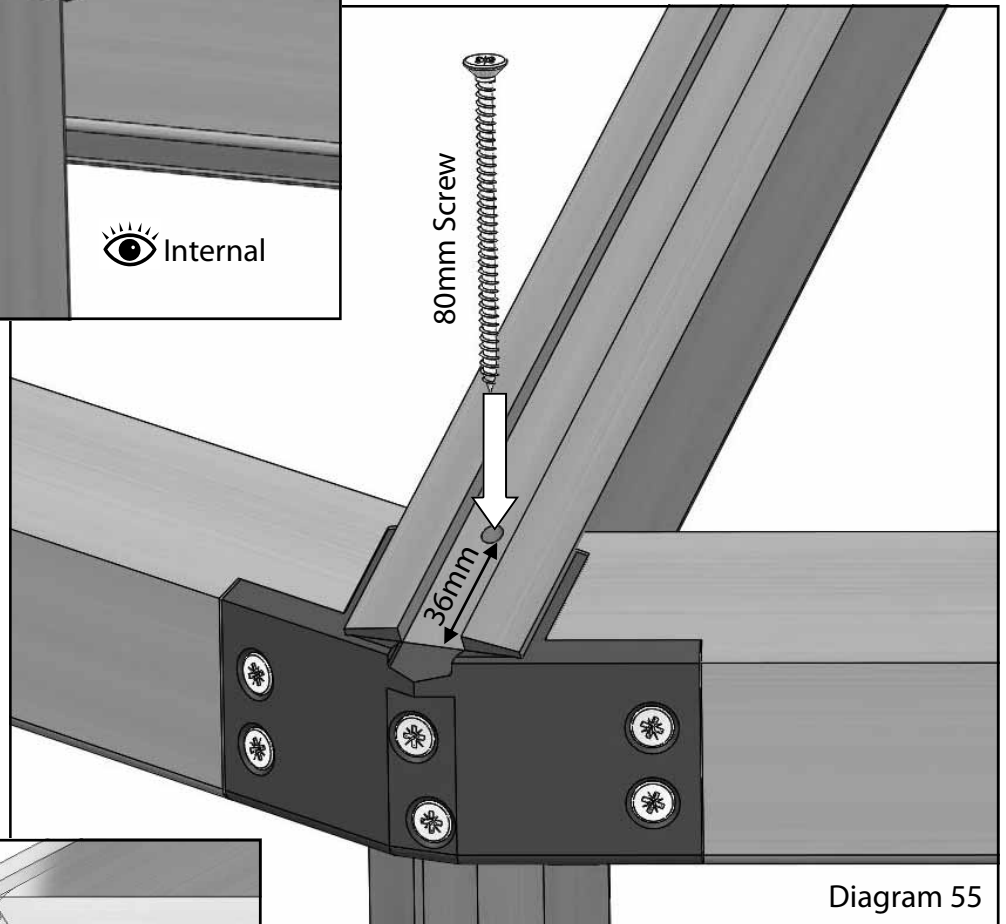
Roof Assembly



Before fixing the bottom of the roof bars, make sure they are pulled tight into the side glazing bar leaving no gap (diagram 54).

When in position drill vertically down in the location shown in diagram 55. Then fix with an 80mm screw.

Work your way around the building until all roof bars are fixed.



Louvre Assembly

To start building your louvre you first need to assemble the sides. Connect the two side section with the two inserts as shown here.

Diagram 57

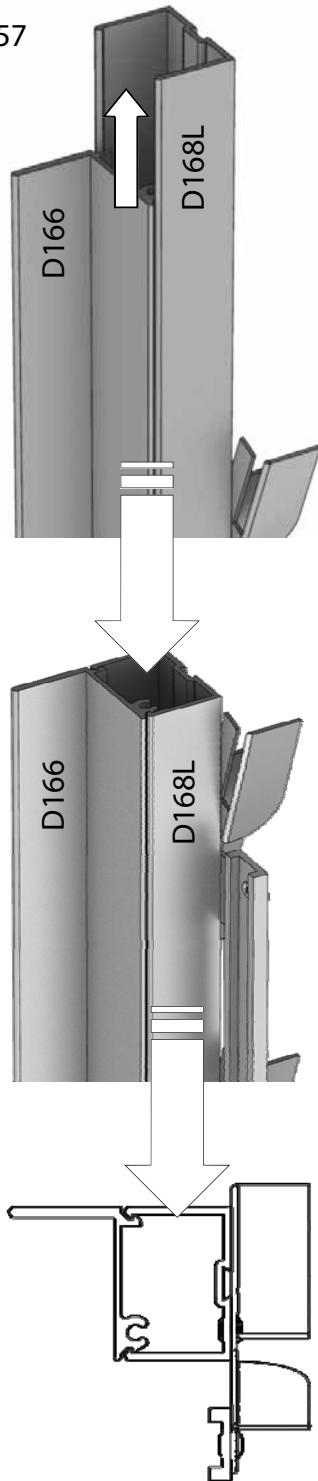
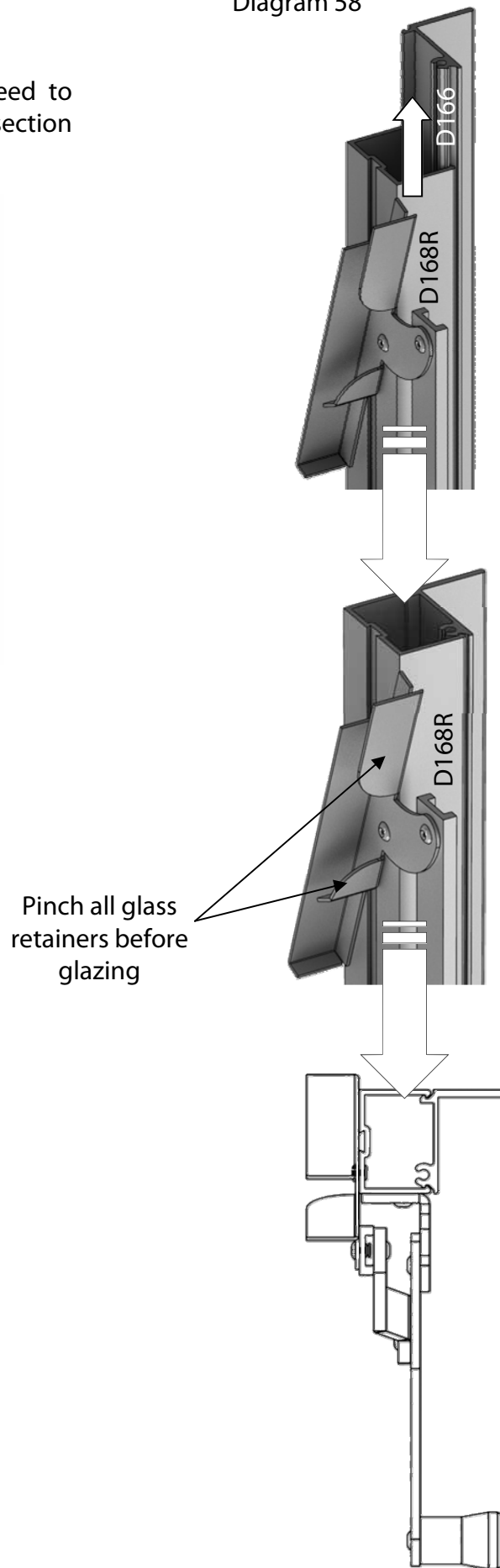


Diagram 58



Louvre Assembly

Louvre			
Part Name	Part Number	Size (mm)	Qty
Louvre Top/Bottom	D165	612	2
Louvre Side Insert	D166	552	2
Louvre Side	D168L	552	1
Louvre Side (handle)	D168R	552	1
Assembly Screw	-	19	4
Louvre Glass	D729TG	100 x 525	6

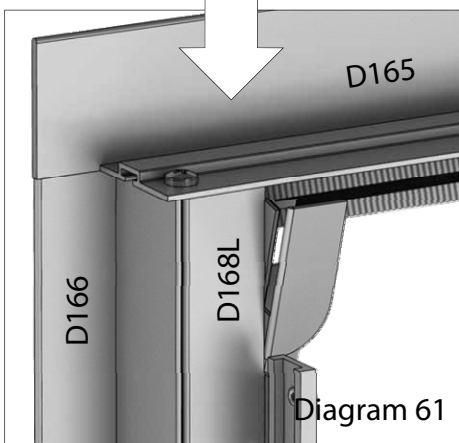
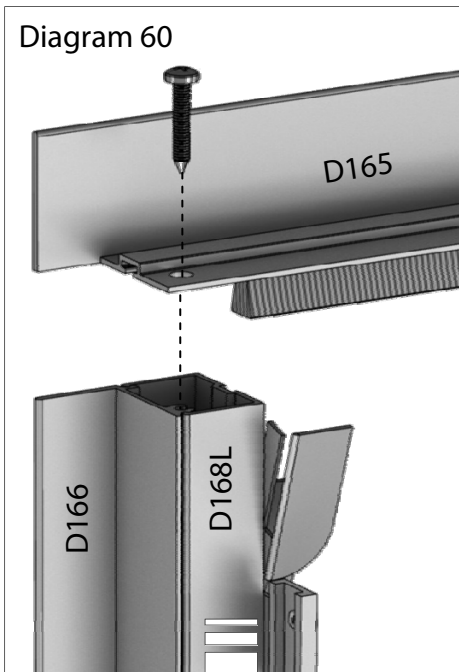
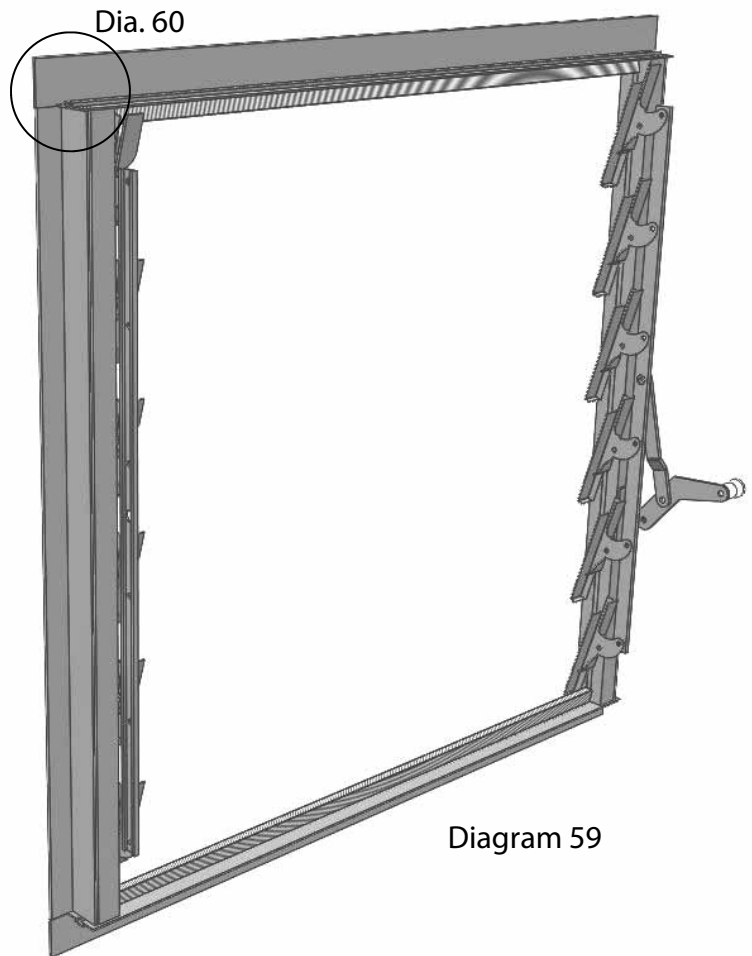


Diagram 59

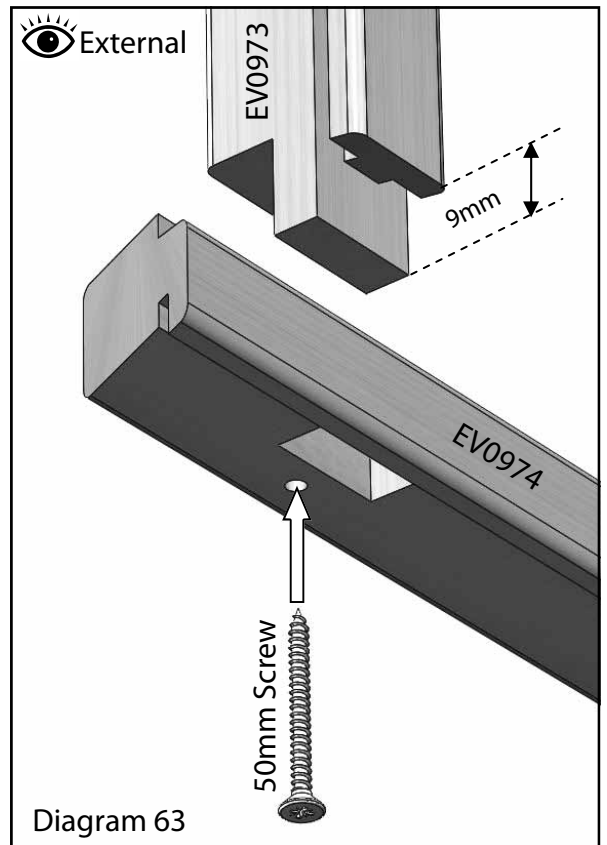
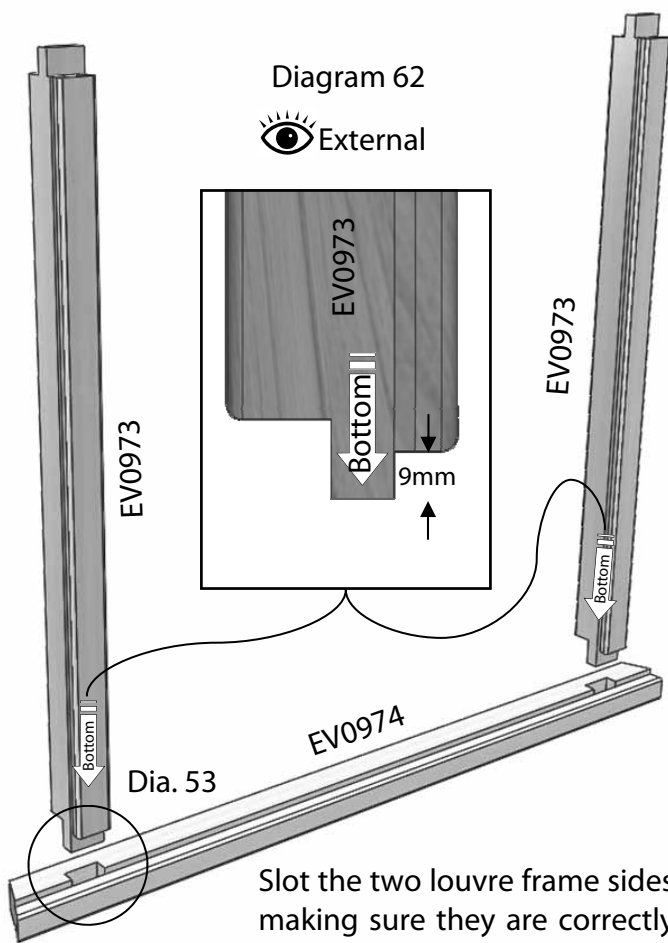
Now you have assembled the side, trim the rubber seal flush with the ends.

Attach the top and bottom of the louvre with the 19mm assembly screws in each end. This locates with a screw channel in the side sections.

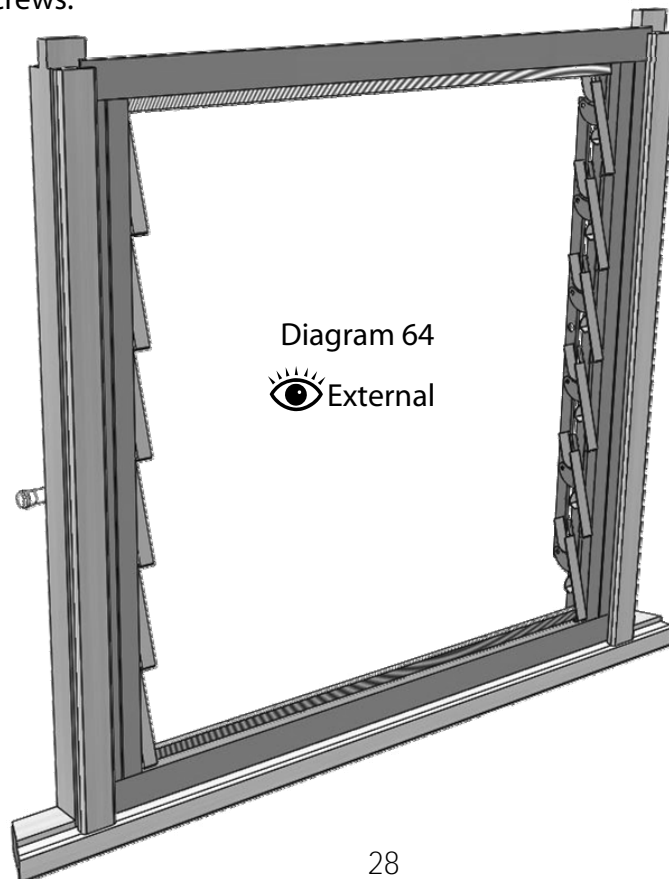
Makes sure you pinch the glass retainers as this helps secure the glass when in place. You will find your louvre glass in the box with the louvre.

It is easier to install the glass when the louvre is in the frame of the greenhouse.

Louvre Frame Assembly



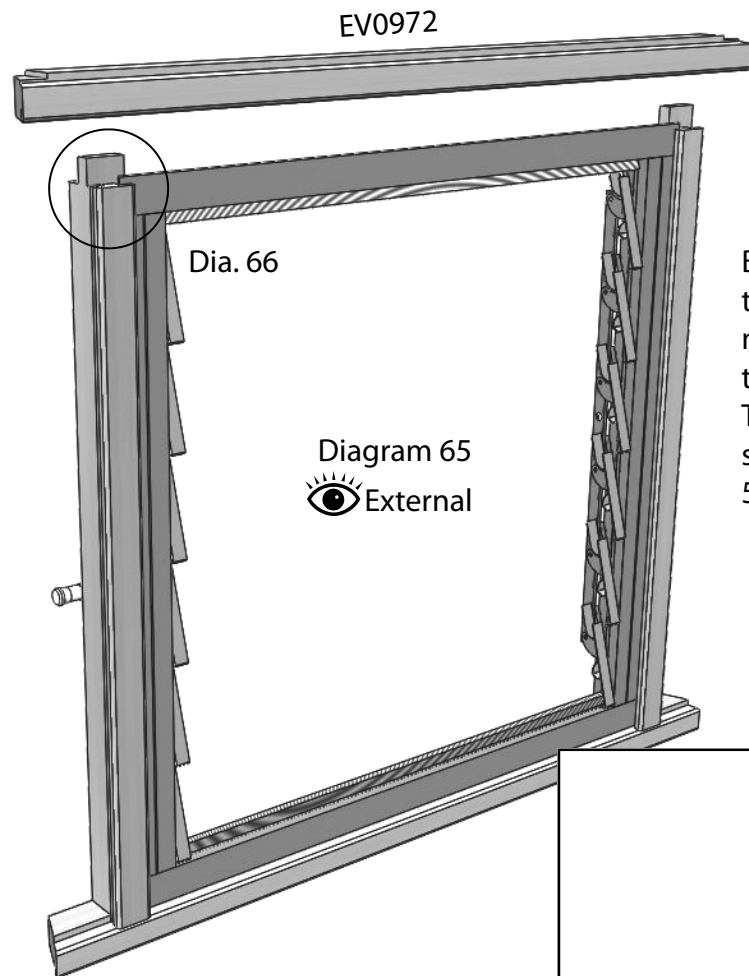
Slot the two louvre frame sides EV0973 into the louvre frame bottom rail EV0974 making sure they are correctly orientated, see 9mm in diagram 63. Drill a pilot hole as shown in diagram 63, just behind the mortice hole. Fix with 50mm screws.



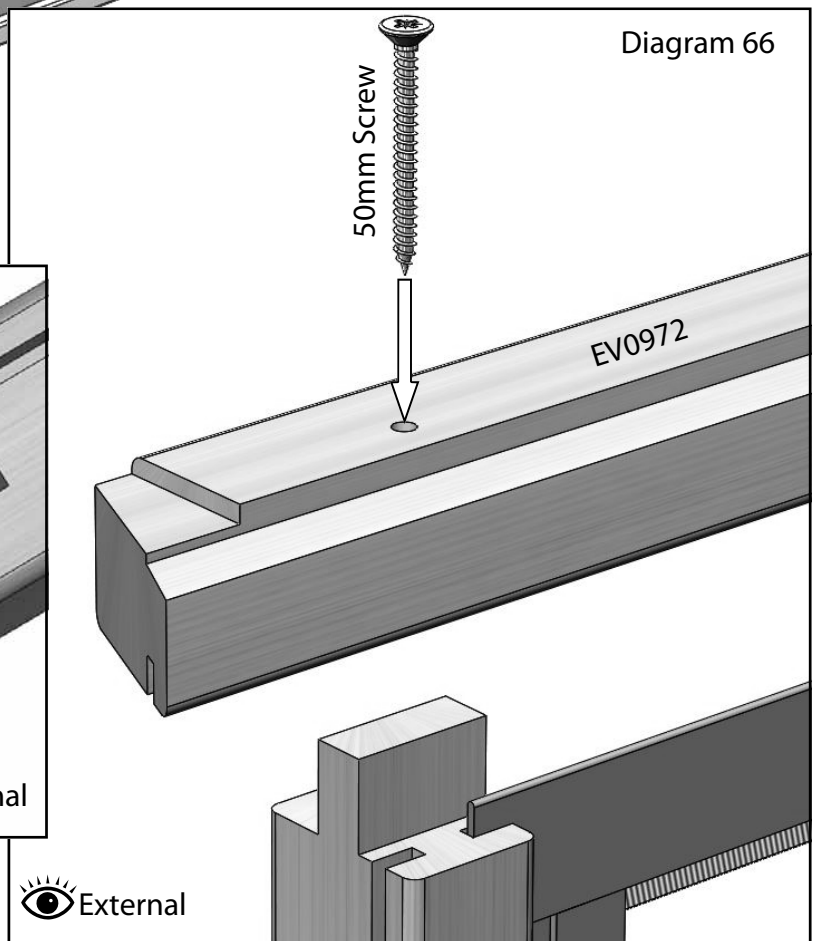
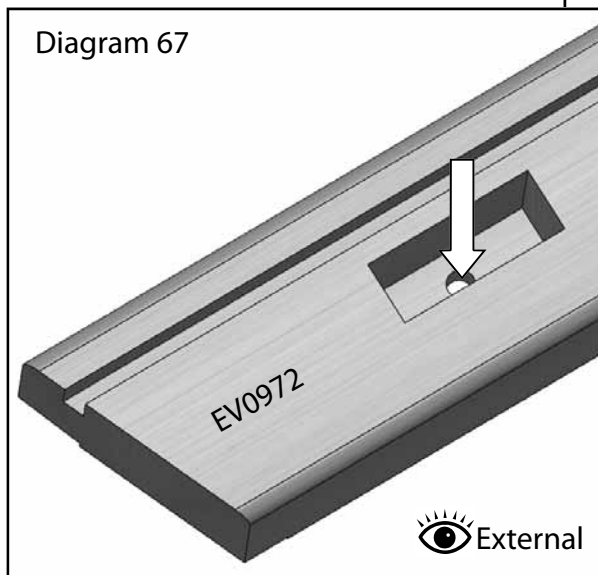
Slot the louvre into the louvre frame.

Important: Make sure that when you are inside the greenhouse that the louvre handle is on the right hand side, if it is on the left then your louvre is upside down.

Louvre Frame Assembly



Before fitting the louvre frame top you need to drill pilot holes through the bottom of the mortice hole (diagram 67). Drill as close to the middle of the mortice hole as possible. Then slot this onto the louvre frame sides to secure the louvre in place. As before, fix with 50mm screws (diagram 66).



Louvre Positions

You have a choice of installing your louvre in two position, high level or mid level. The louvre can be installed at any of the locations indicated by the arrows.

Diagram 68

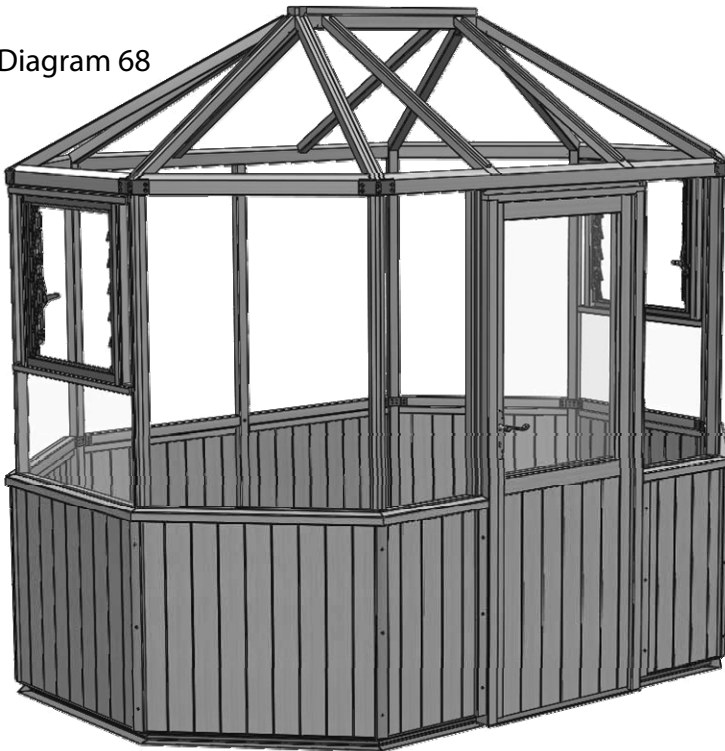
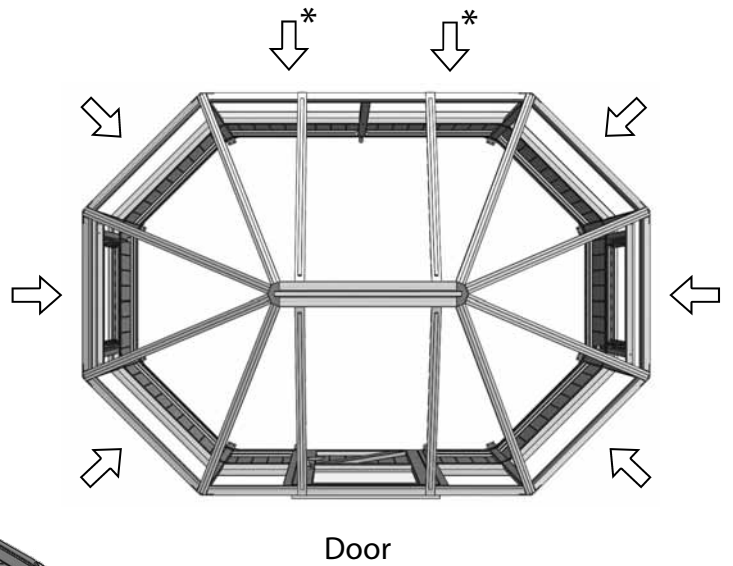
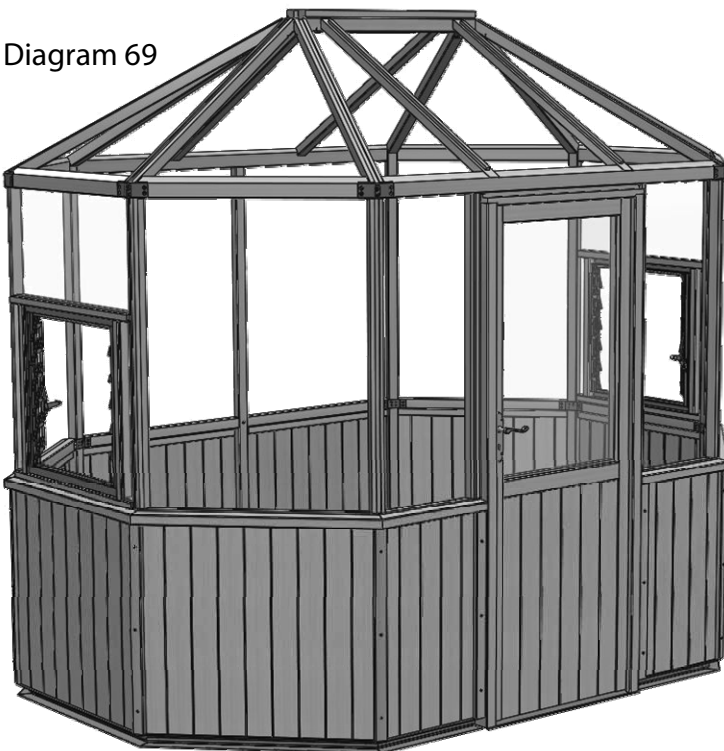


Diagram 69



High Level Louvre

* Requires extra component, request two **EV1154M** per louvre.

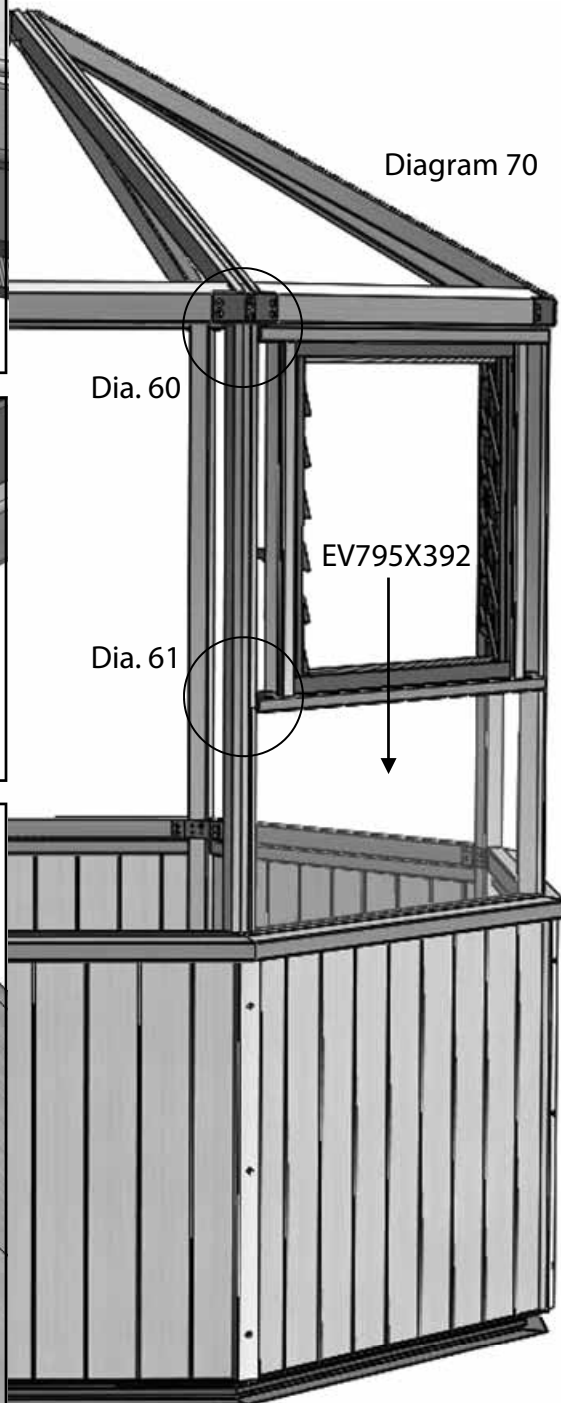
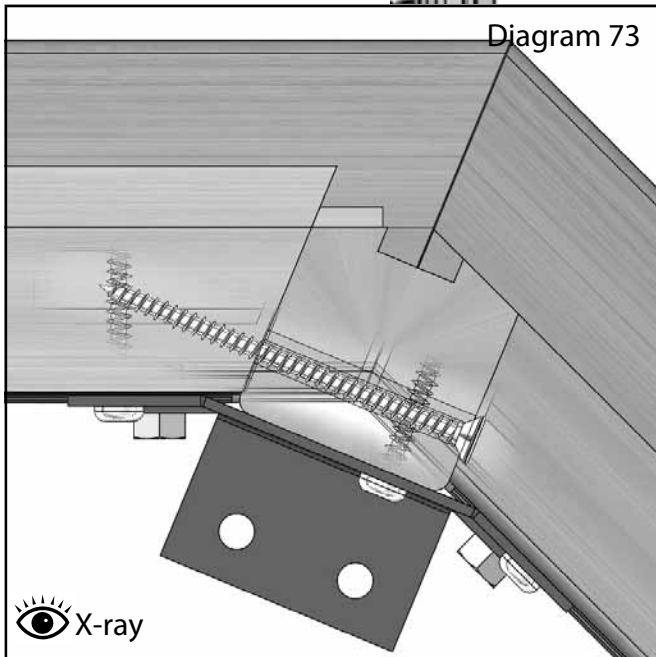
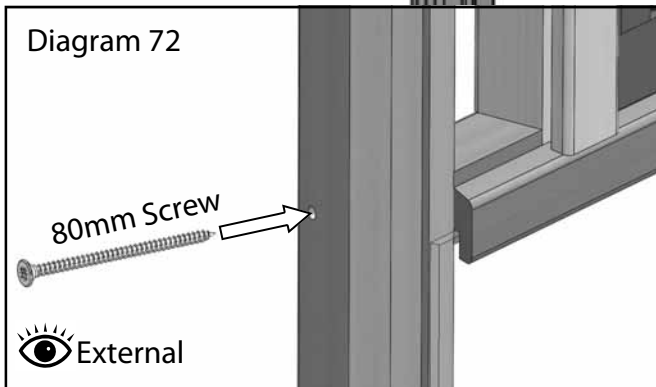
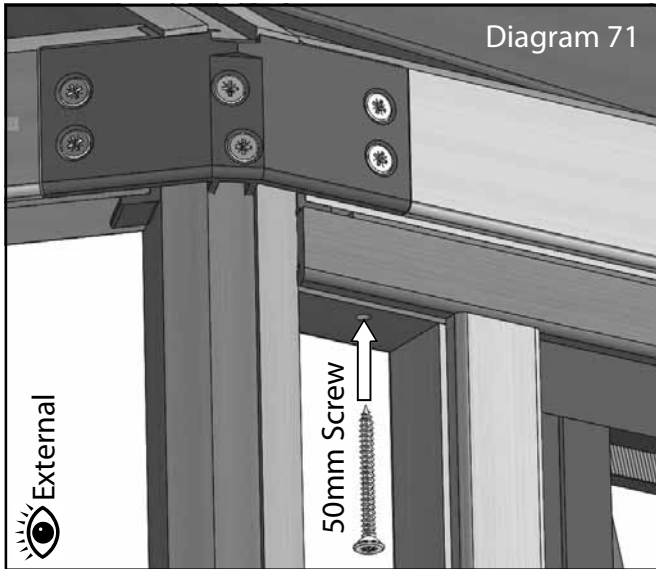
Telephone: **01782 385409** or email: **info@greenhousepeople.co.uk**

Mid Level Louvre

High Level Louvre Installation

To fit the louvre assembly in the high level position you place the EV795X392 glass under the louvre frame. This should be held in place while the louvre frame is fixed in position. Drill a pilot hole through the top rail of the louvre frame and secure to the eaves rail with a 50mm screw (Diagram 60).

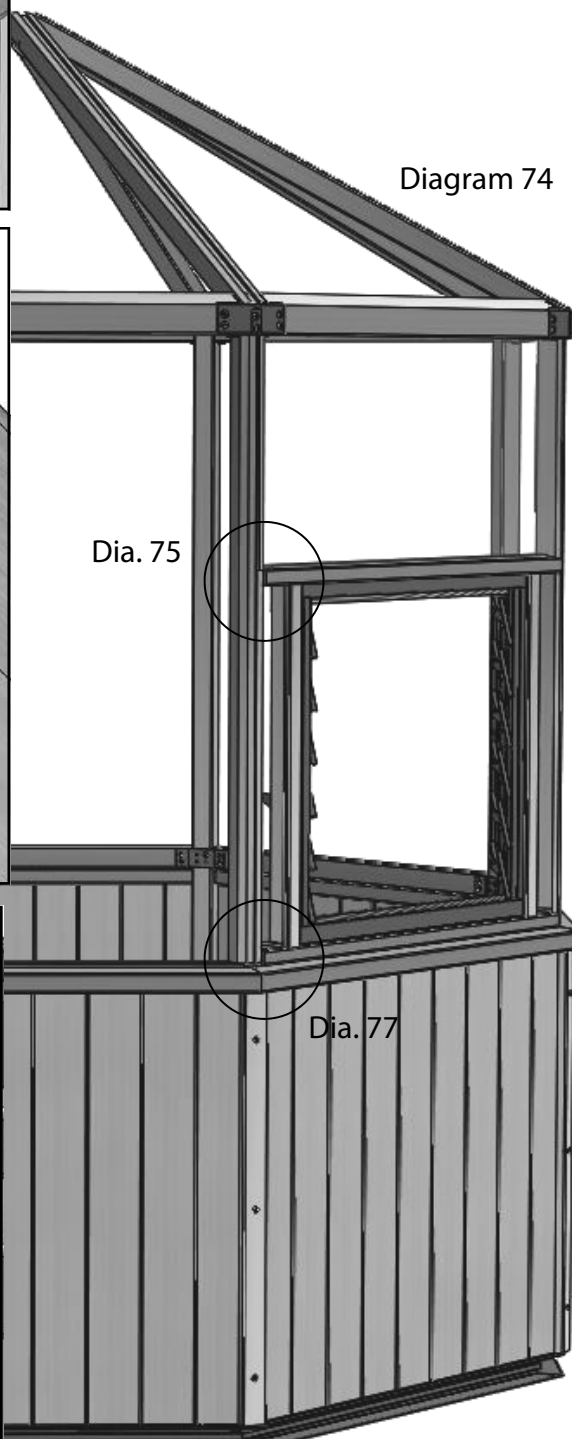
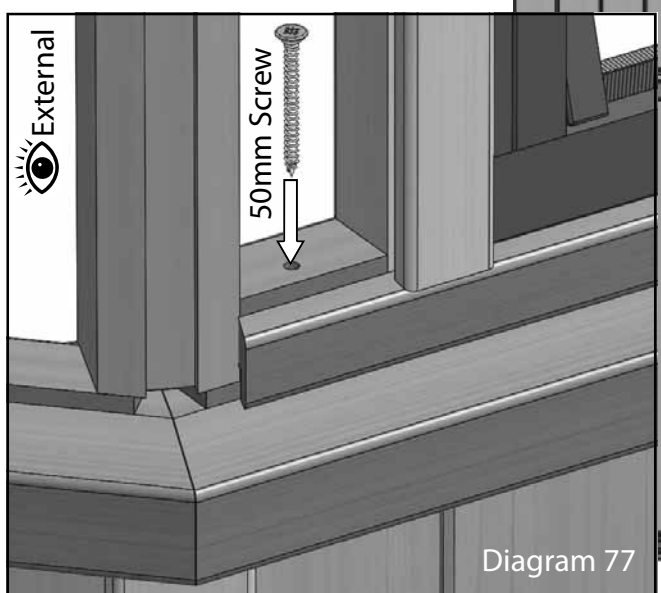
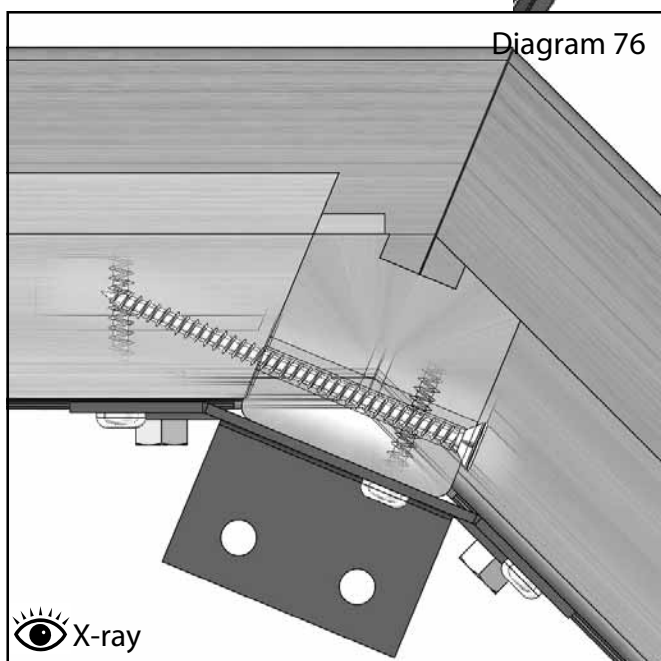
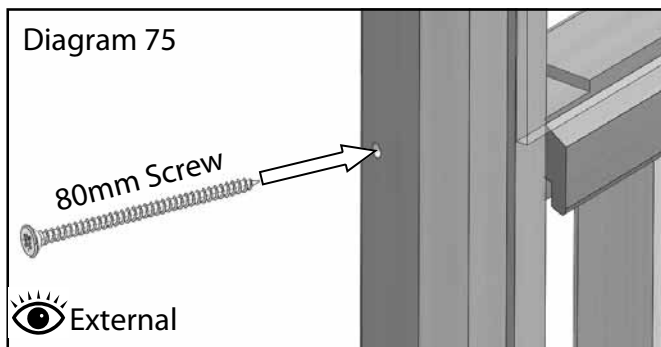
Next, drill a pilot hole through the glazing bar (diagram 72), diagram 73 shows the ideal angle of the screw. Make sure the rebate for the glass lines up with the front of the glazing bar.



Mid Level Louvre Installation

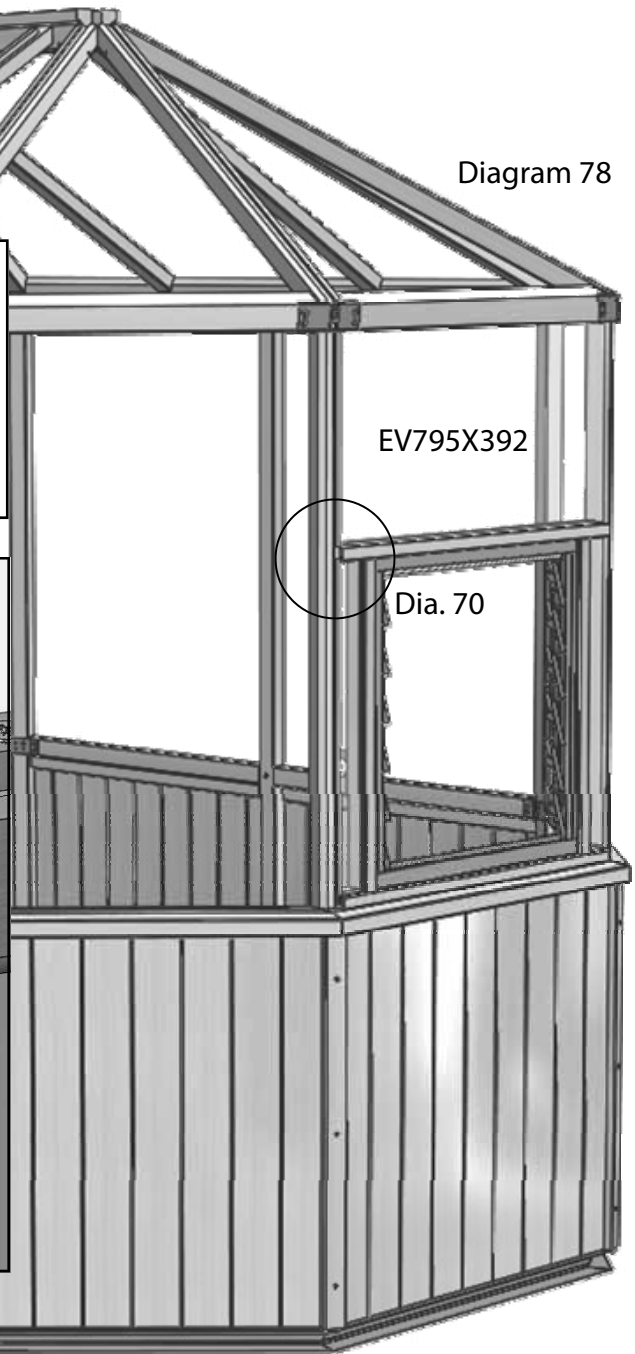
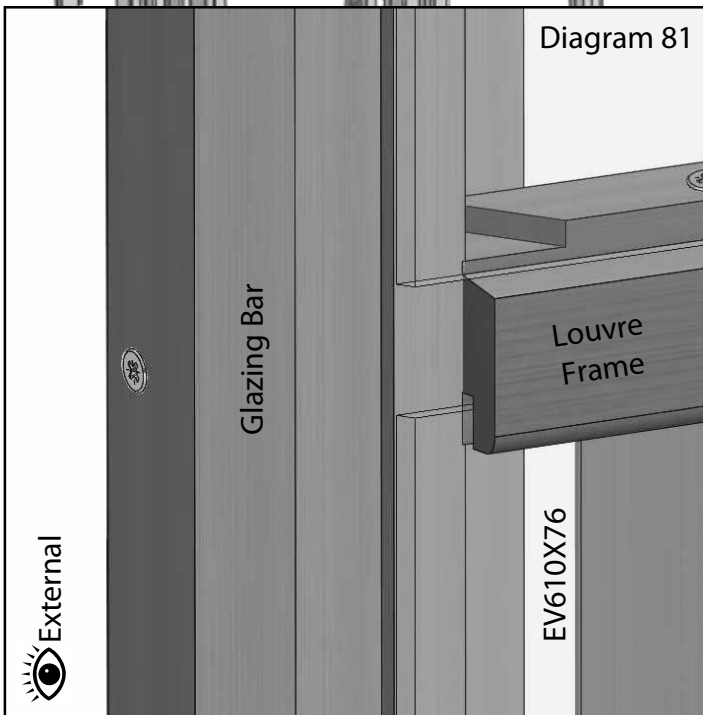
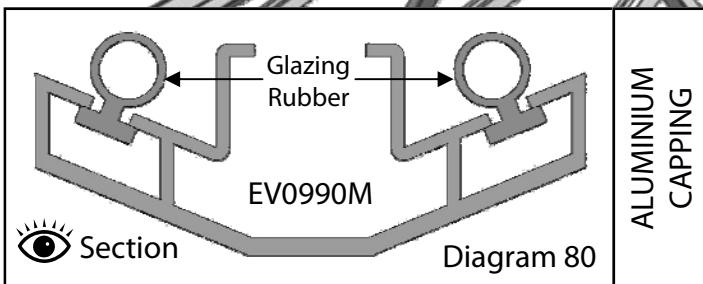
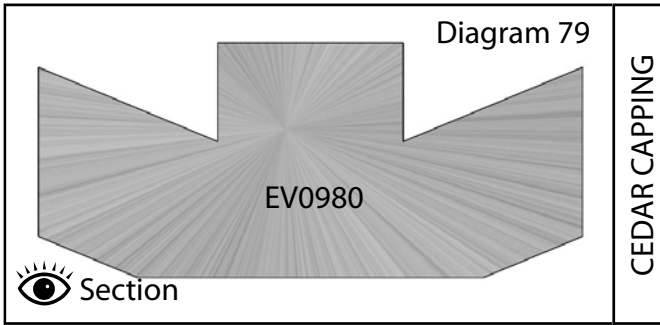
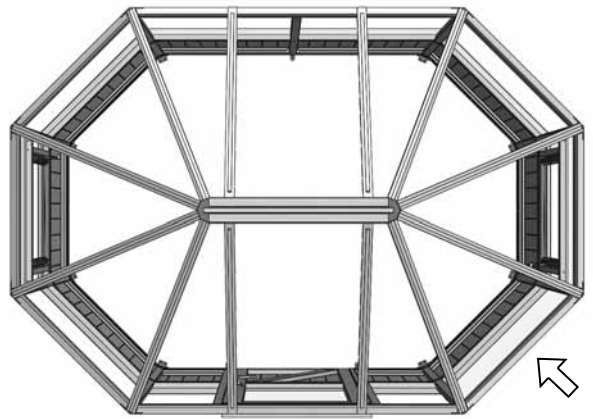
To fit the louvre assembly in the mid level position place the louvre frame on top of the mid rail. Make sure the glass rebate on the louvre frame lines up with the front face of the glazing bar then drill a pilot hole through the bottom rail of the louvre frame and secure to the mid rail with a 50mm screw (Diagram 77). Next, drill a pilot hole through the glazing bar (diagram 75), diagram 76 shows

the ideal angle of the screw. Again, make sure the rebate for the glass lines up with the front of the glazing bar before fixing. Leave the pane out above the louvre until you are ready to glaze.



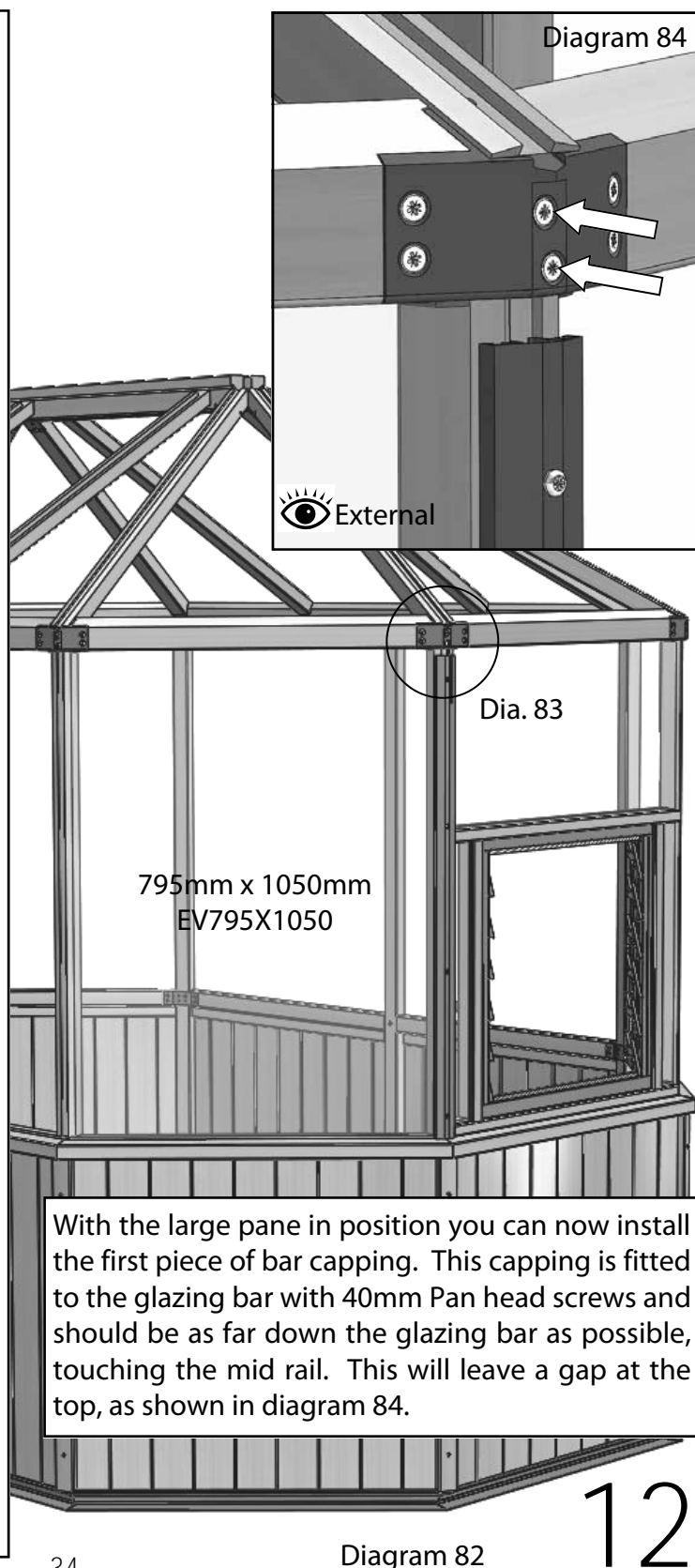
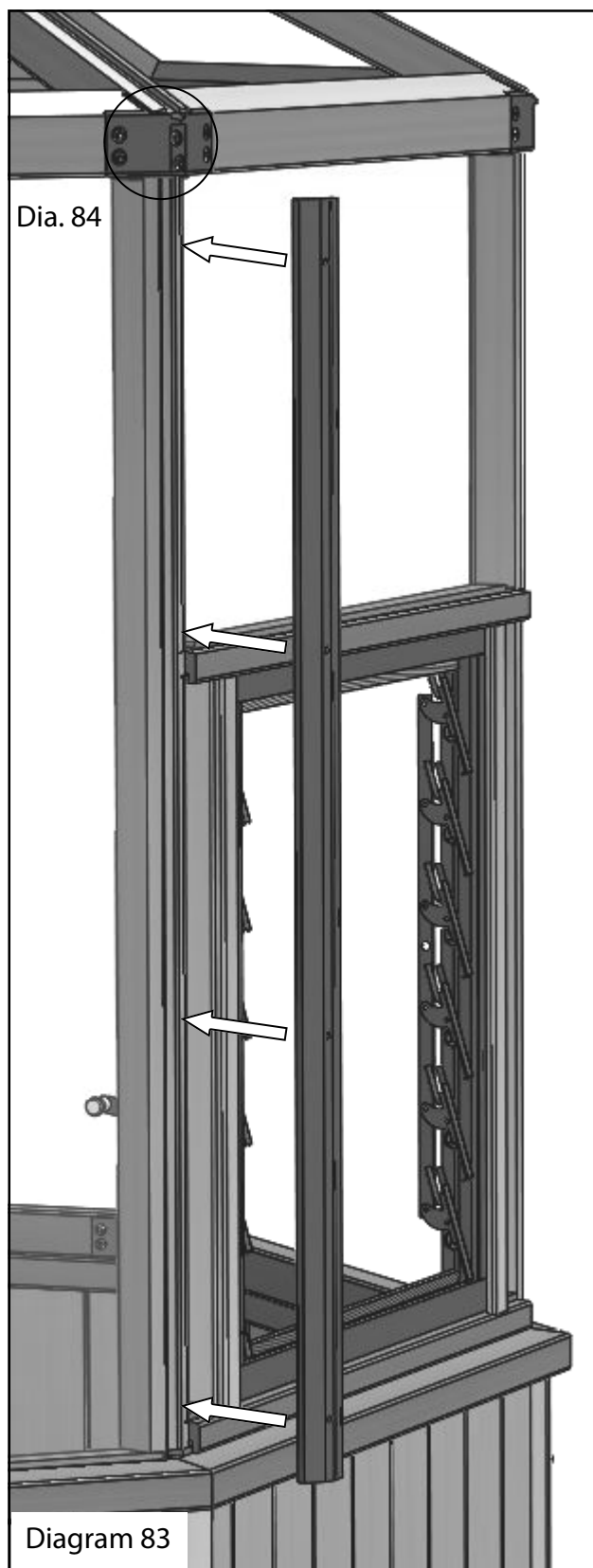
Glazing (part 1)

If you have the optional aluminium bar capping you need to insert the rubber into the rubber channels and trim it to length (diagram 80). Begin glazing the sides of the building by inserting one of the narrow panes (EV610x76) next to the louvre frame. If you have the louvre in the mid level position as below you also need to install the glass above the louvre (EV795X392).



Glazing (part 1)

Before you install the large panes it helps to place each bar capping around the building ready for installation. When ready, insert the large side pane next to the louvre (diagram 82). If this is difficult try loosening off the middle screws on the eaves bracket indicated by the arrows on diagram 84. Remember to tighten all the screws after glazing the sides, but don't over tighten them!



Glazing (part 1)

Work around the building fitting the next pane along followed by a section of capping.

The capping either side of the door and in the middle at the rear of the building is slightly different to the standard capping. If you have aluminium capping this also needs rubber inserting along the channels. It is installed with 40mm Pan head screws.

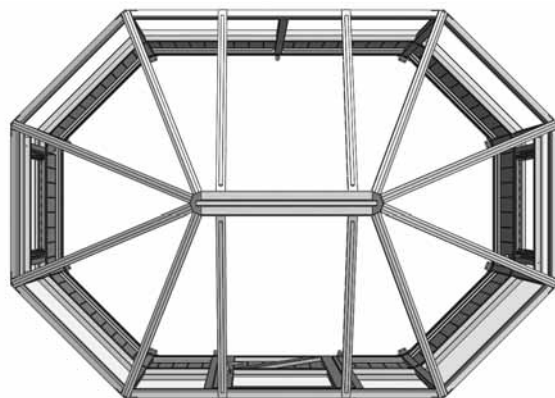
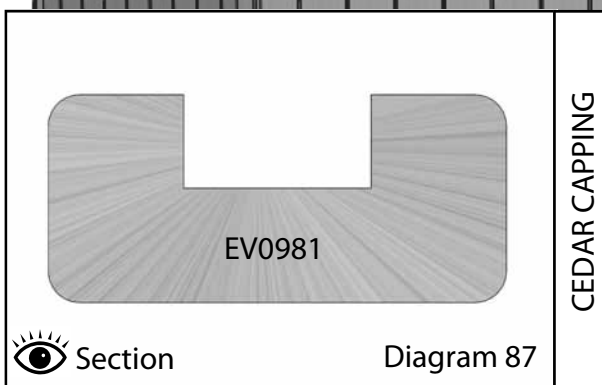
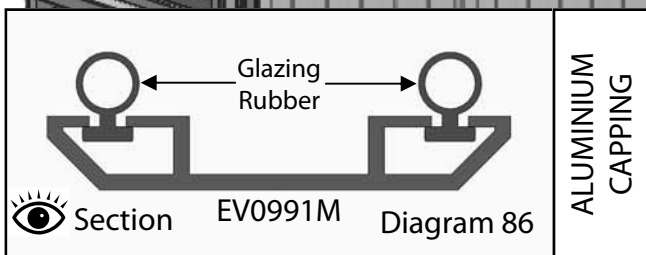
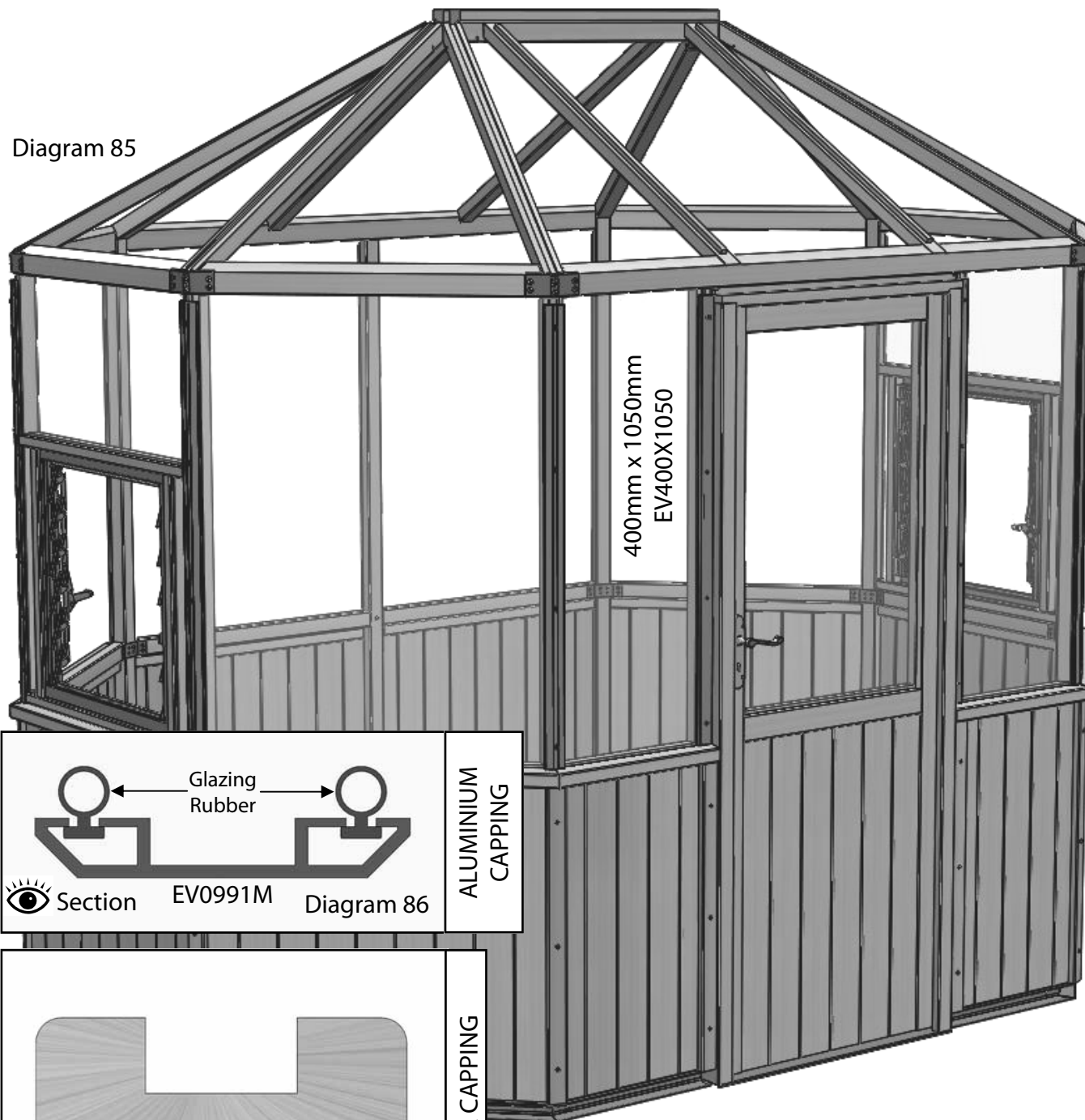


Diagram 85



Gutter Installation

One section of the guttering has holes ready for the downpipe, 5 other sections of the same size are identical and there are two longer sections for the front and rear of the building. Decide where you would like the downpipe before starting and leave a space for this section as you install the other sections. The first section of gutter to be installed goes above the door. Make sure the ends of the gutter are evenly spaced between the centre point of the eaves bracket (diagram 89). Once you are happy with the position you can fix it in place with 25mm Pan head screws EV0331).

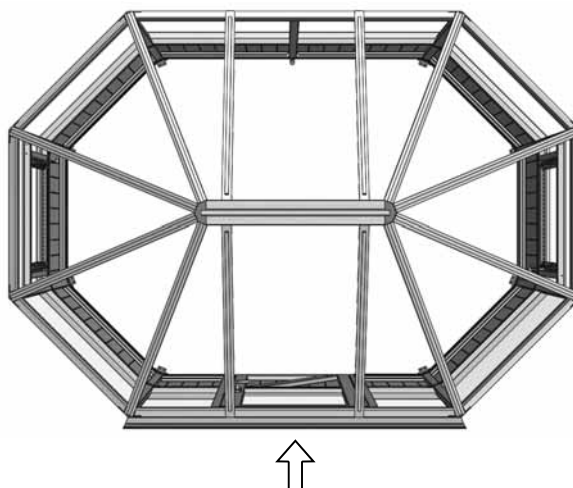
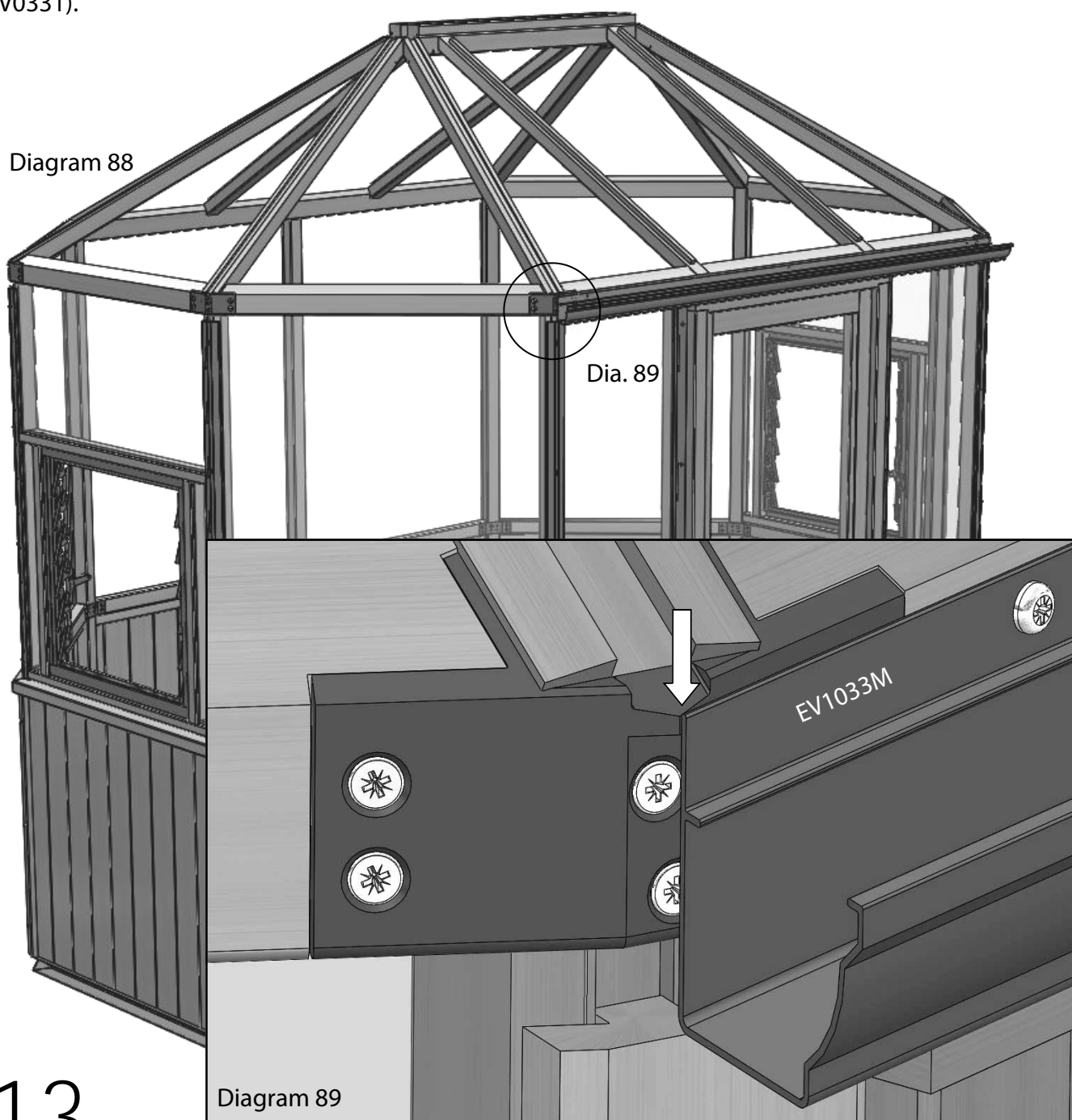
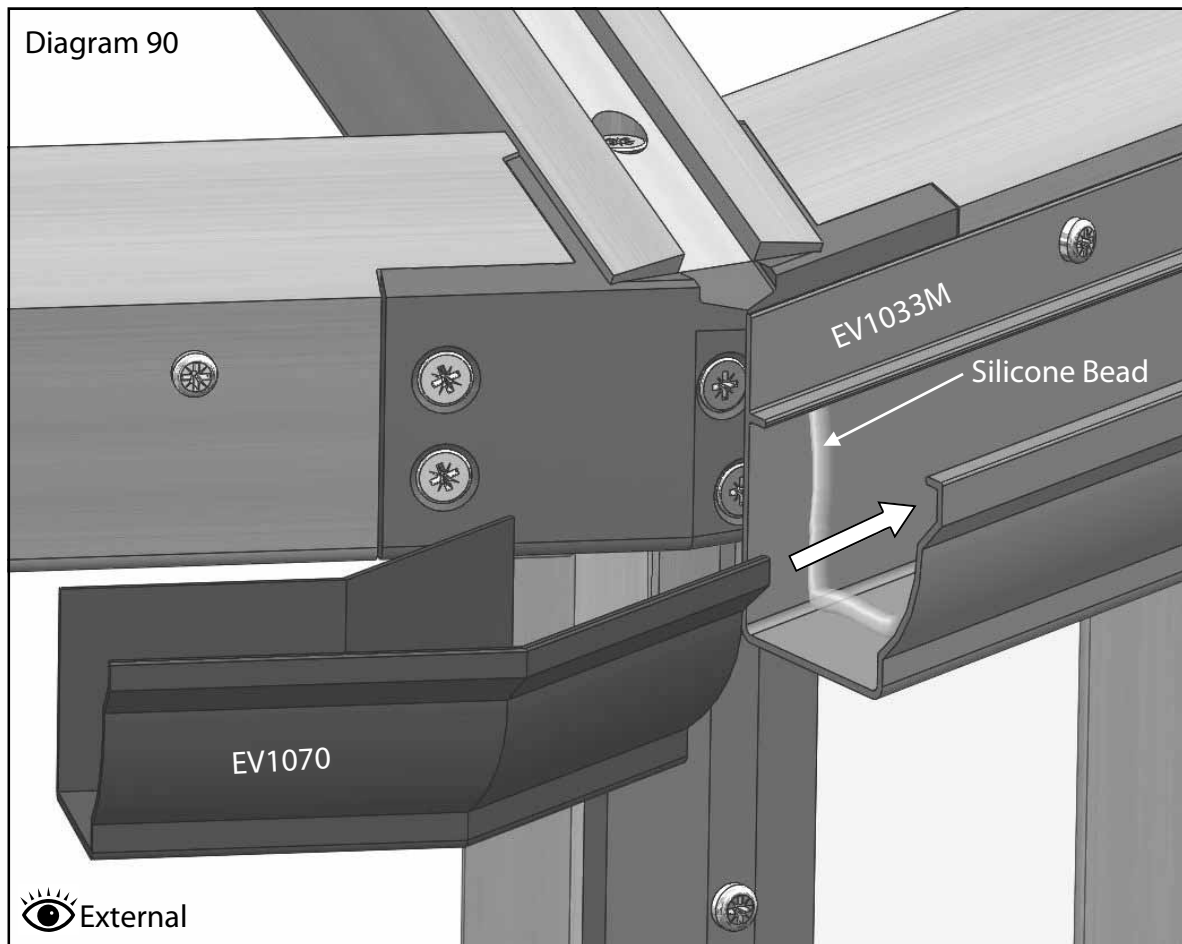


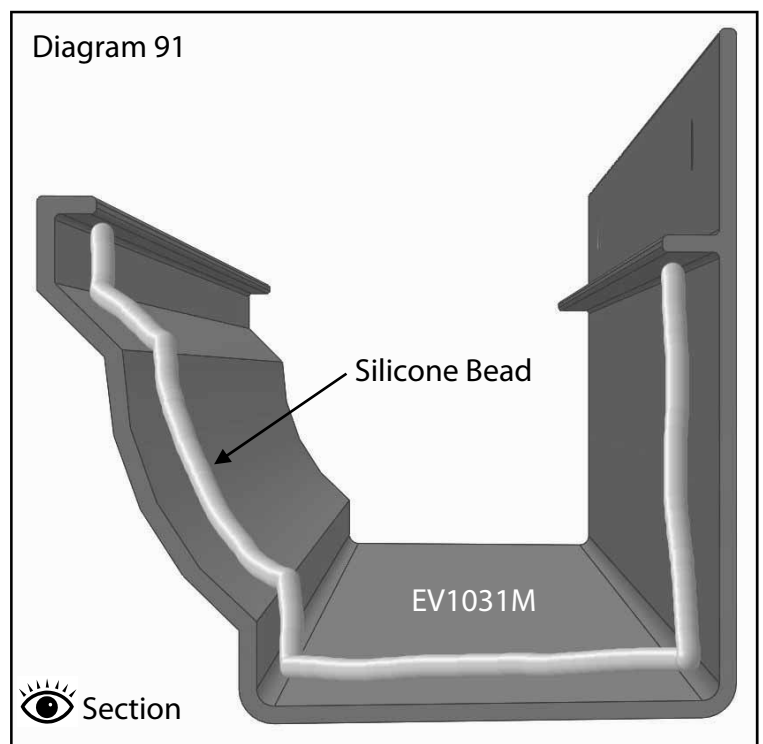
Diagram 88



Gutter Installation



Next you need to apply a bead of silicone to the internal surfaces of the gutter section (diagram 90). You can then insert the first gutter joint (EV1070). Slide this in until the corner in the middle of the gutter joint meets the end of the gutter. With this in place you can now prep the next section of gutter. Apply another silicone bead to the end that will slide onto the gutter joint (diagram 91).



Gutter Installation

Keep repeating this process working from the front to the rear on each side leaving a gap where you would like the downpipe section to be. This can go in place of any of the shorter sections.

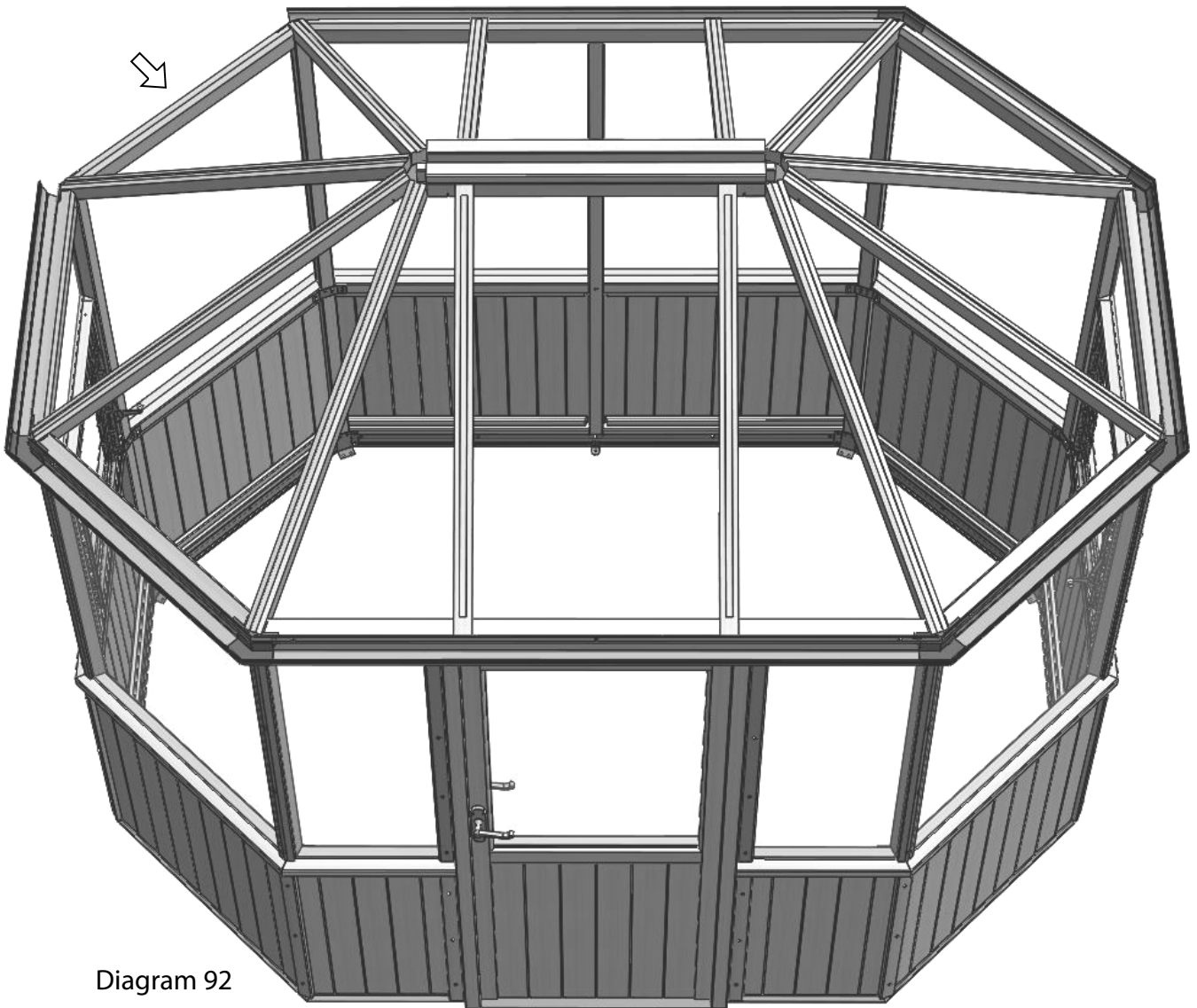
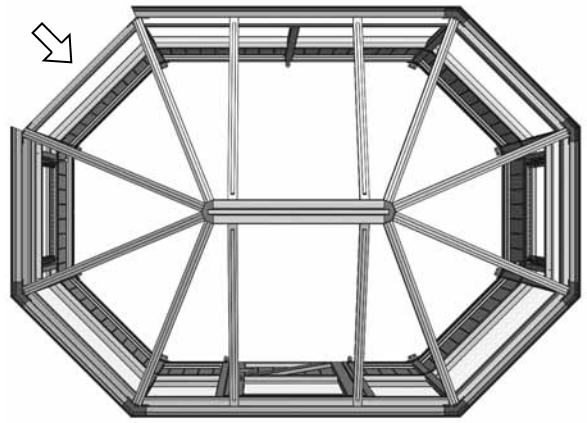
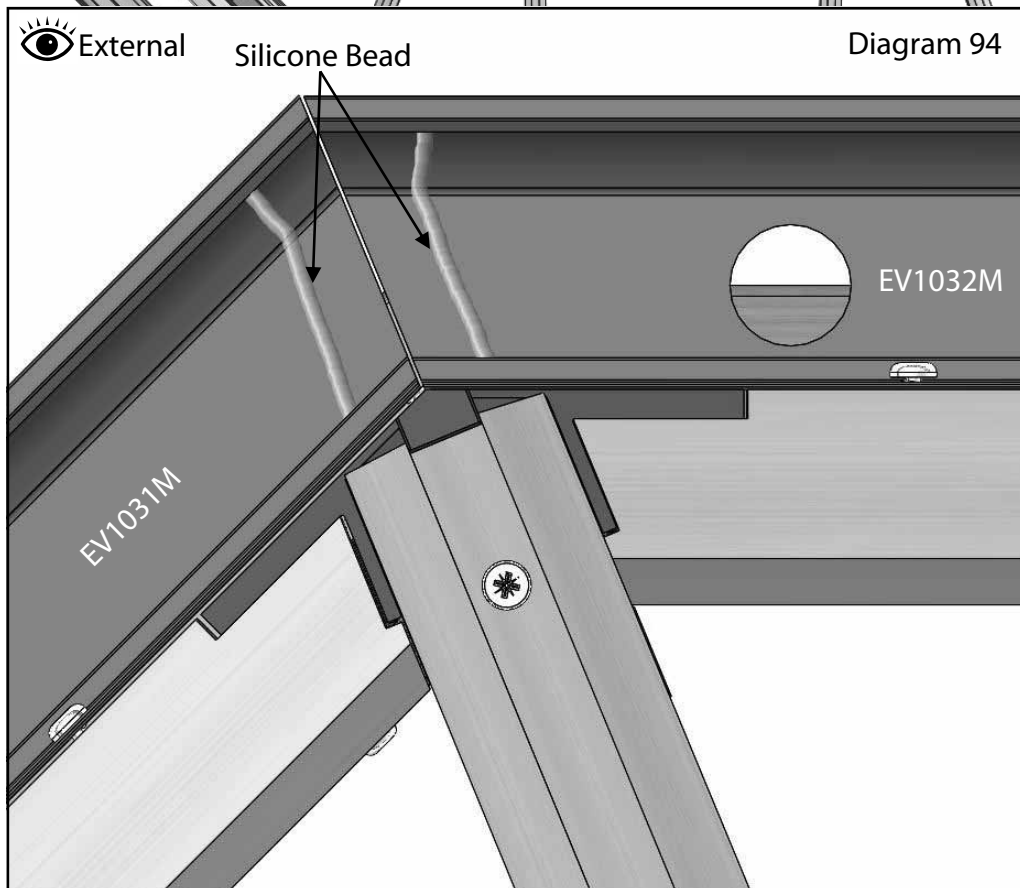
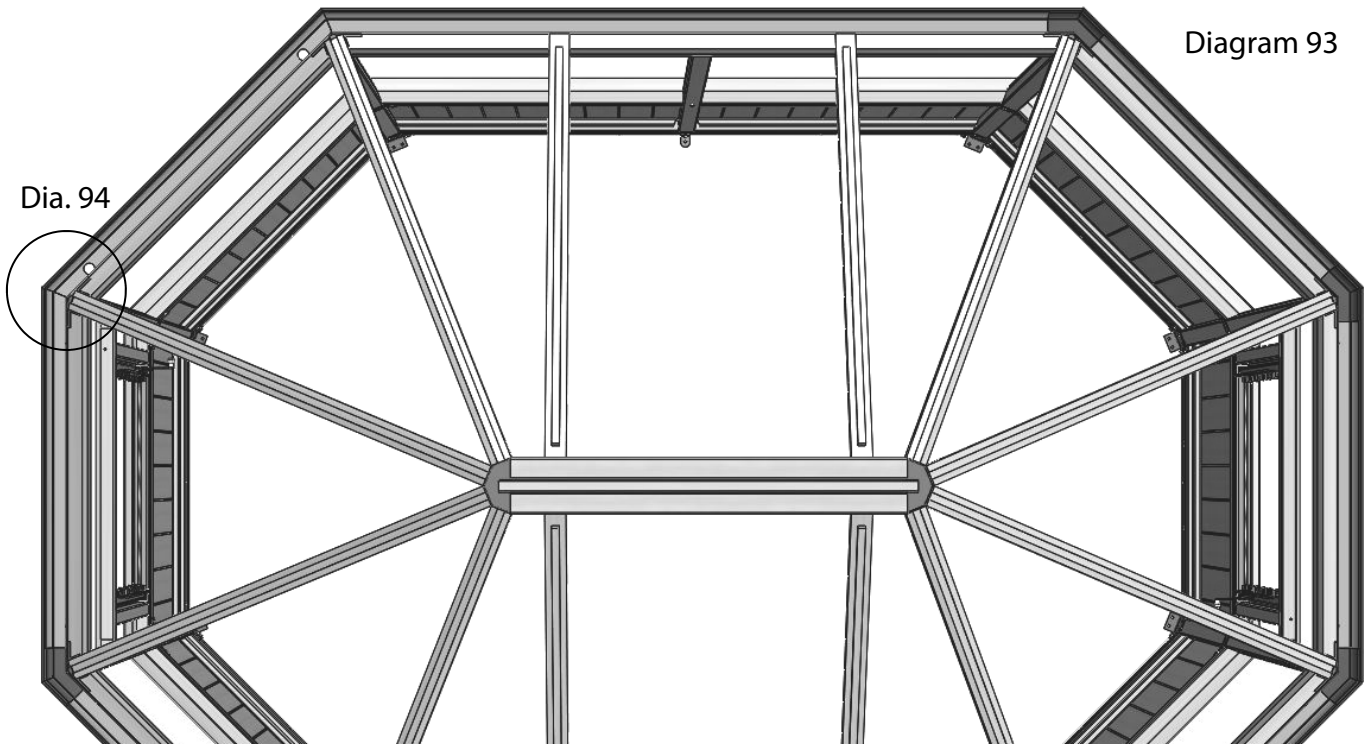


Diagram 92

Gutter Installation

Offer up the final section (EV1032M), if any adjustment needs to be made you can do this now. When you're happy with the fit, add a bead of silicone to both ends then fix the section in place with 25mm round head screws. Make sure you line up both ends as best you can before fixing.



Gutter Installation

Finally you can add the last two gutter joints. With the silicone beads applied to the gutter lower the joint into position, first locating the front edge then push the base of the joint down until the back edge clicks into place.

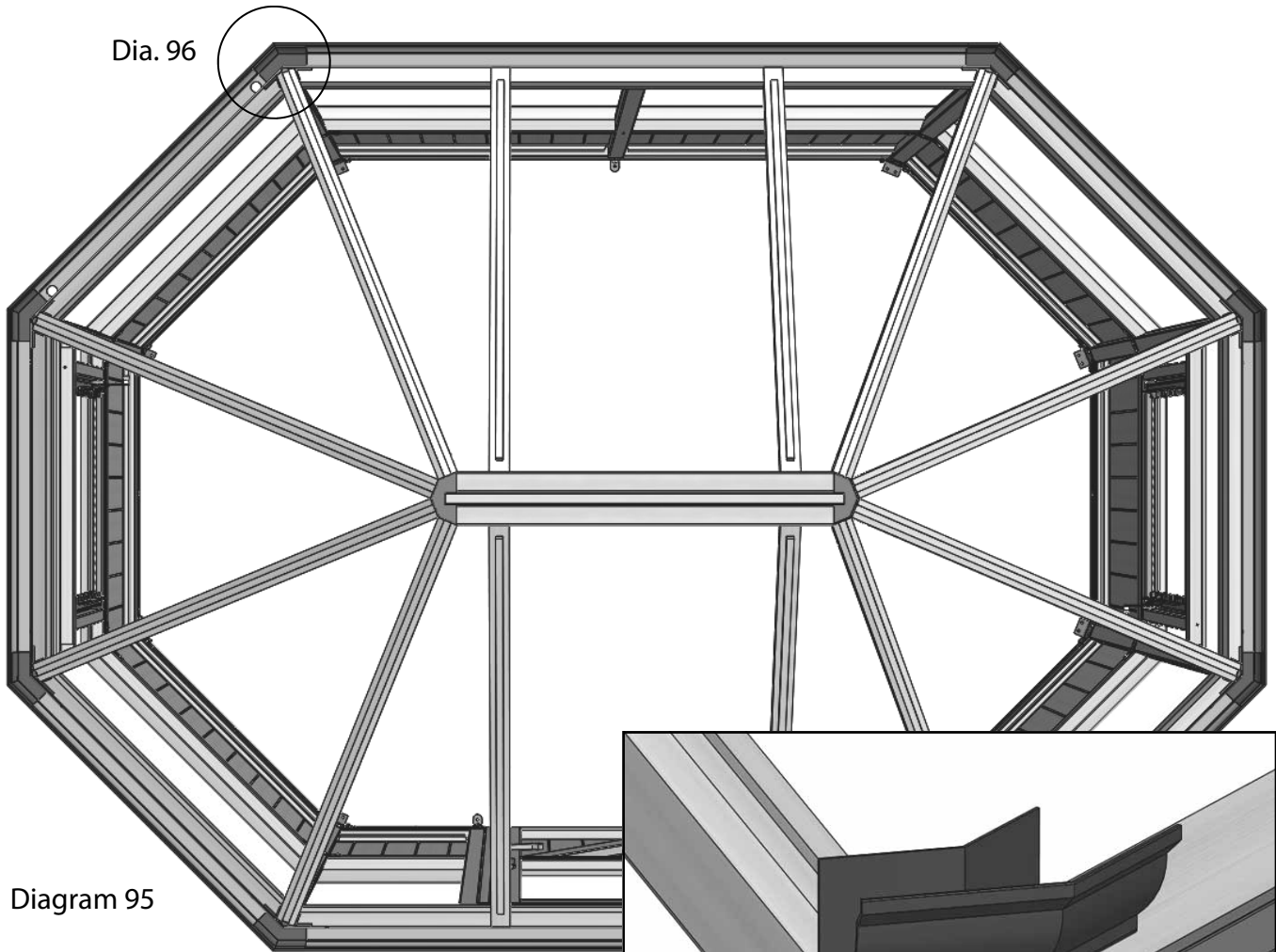
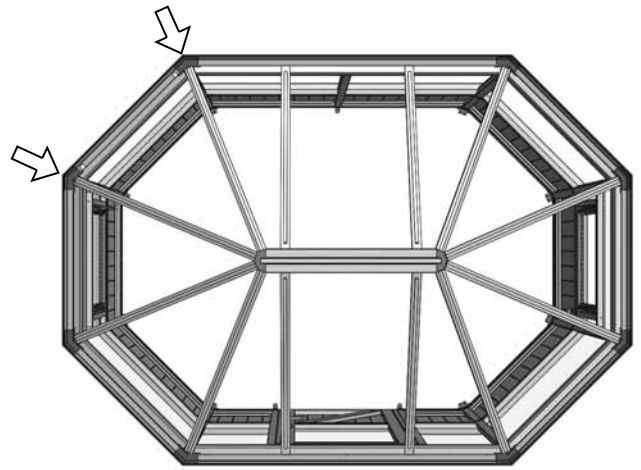


Diagram 95

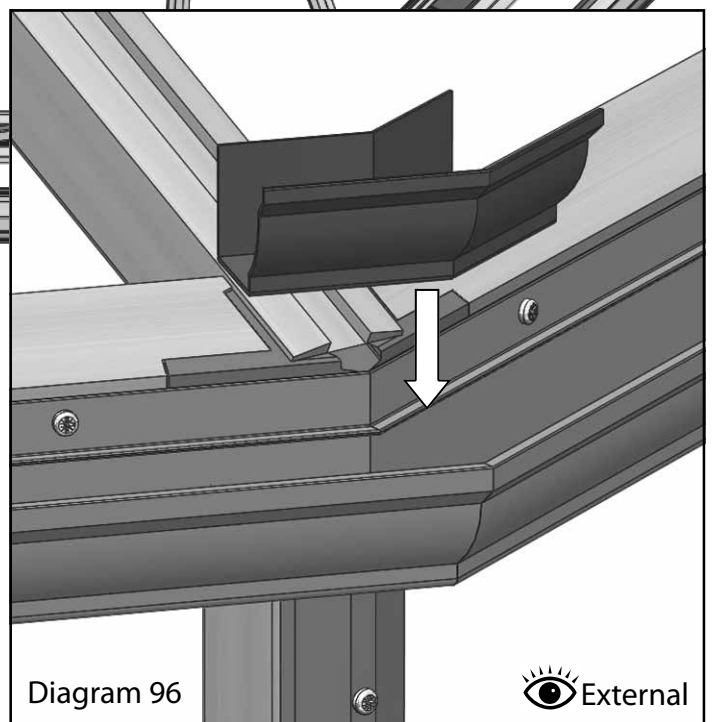


Diagram 96



Glazing (part 2)

To glaze the roof you first need to place the glass stops (EV0313M) on the eaves bars. Hang two glass stops between each glazing bar as shown in diagram 97. Space these around 100mm in from the roof glazing bars (diagram 98).

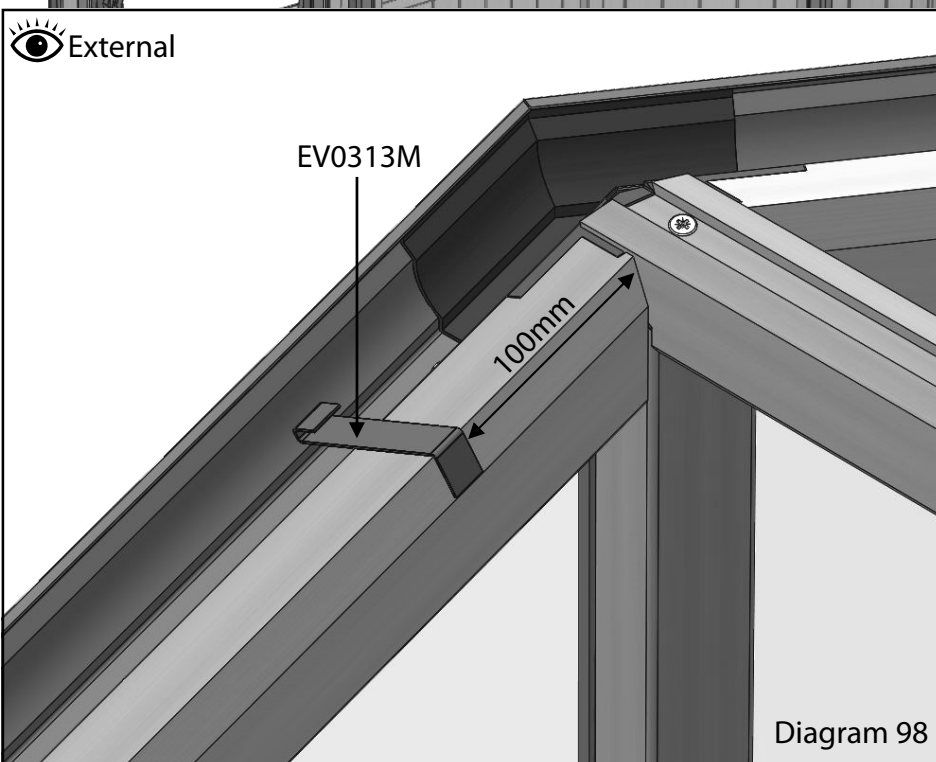
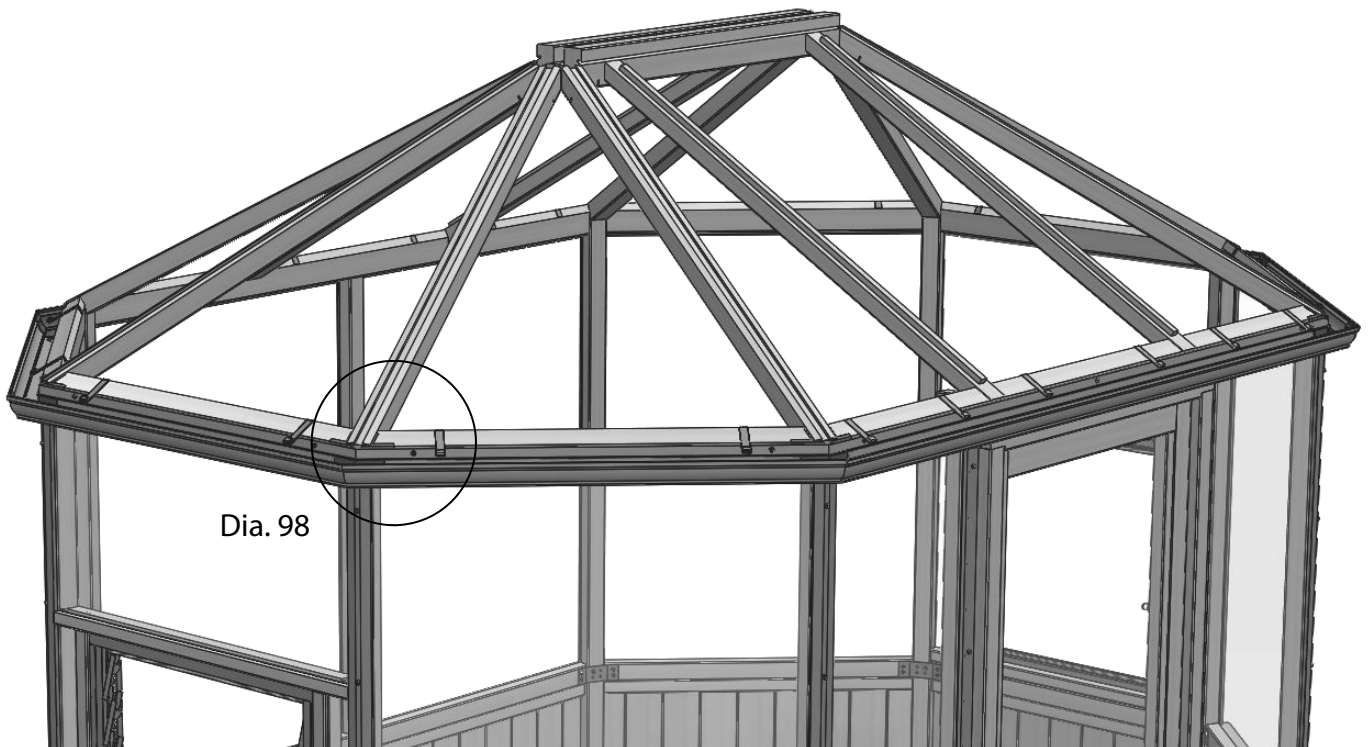
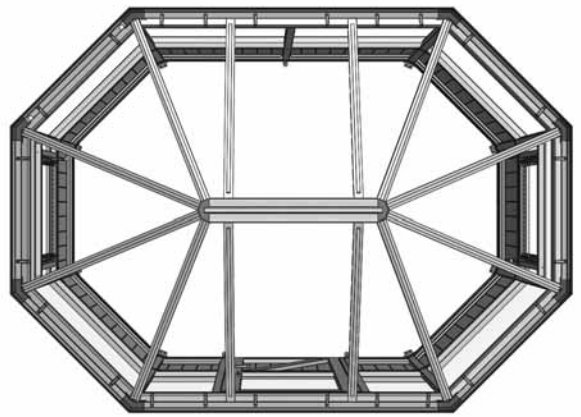


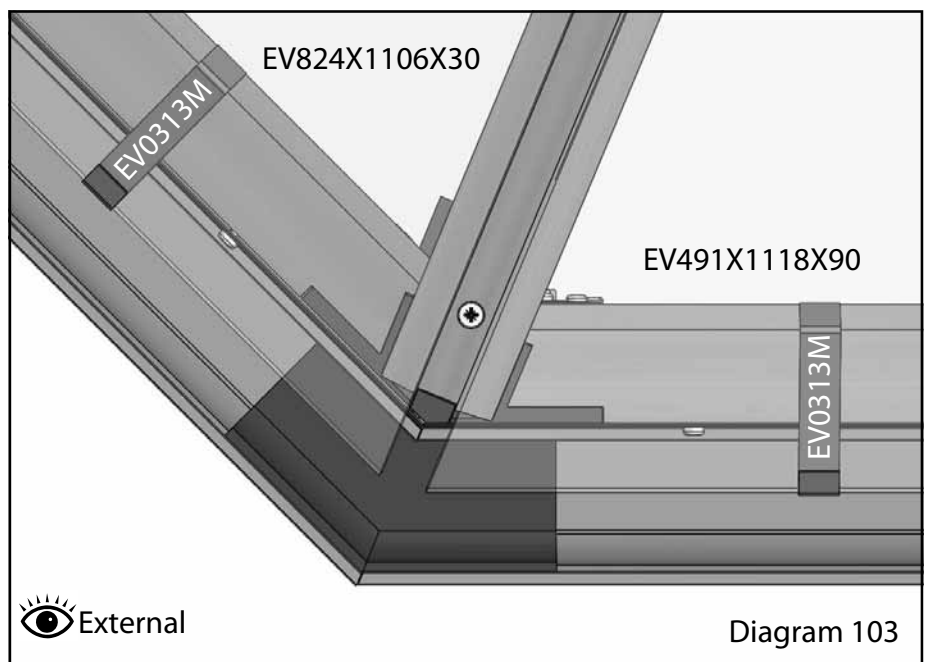
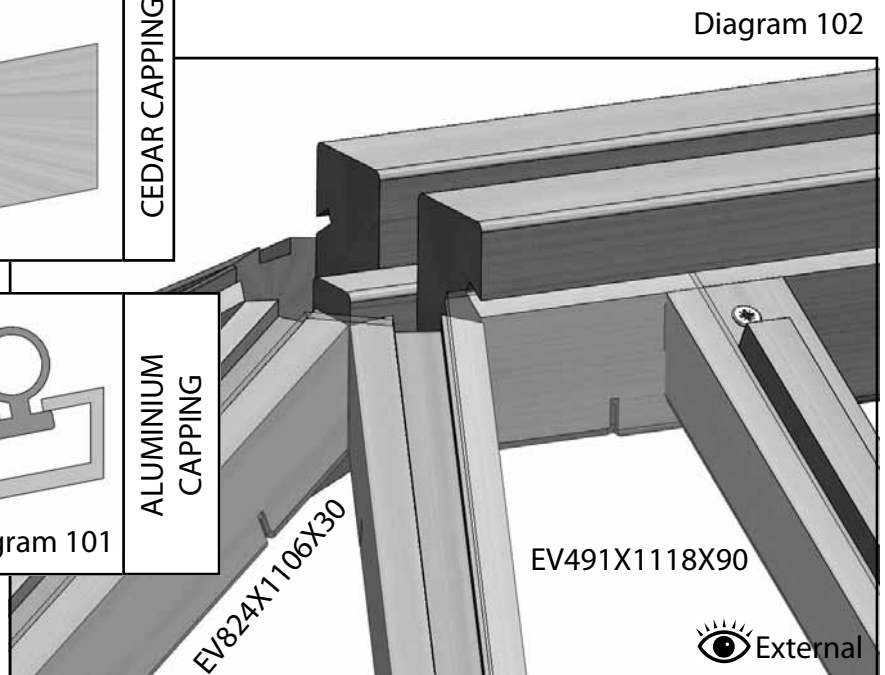
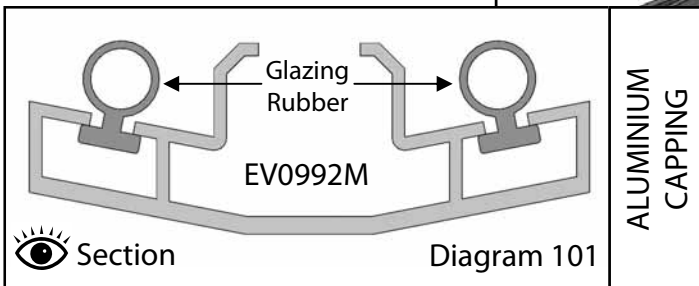
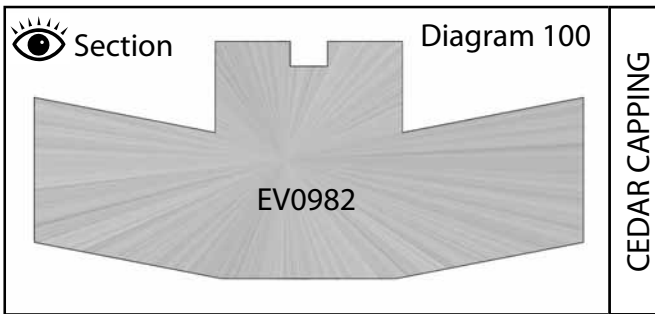
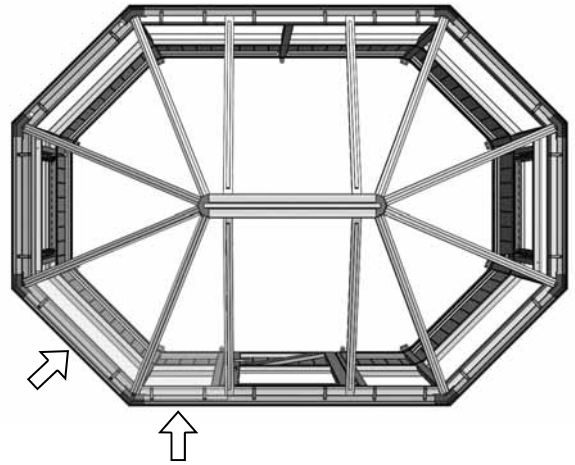
Diagram 97

Diagram 98

Glazing (part 2)

Before you start glazing you should place the bar capping around the building again so you have it to hand when needed. If you have the aluminium capping remember to insert the glazing rubber and trim it to length (diagram 101).

Slide the first piece of roof glass into place, be careful to support this and try to slide it up one roof bars until it reaches the other. When lowered into the glass stops, the glass should fit either side of the rebate in the roof bar (diagram 103).



Glazing (part 2)

Work around the building securing the glass with the bar capping using 40mm pan head screws. When you get to the glazing bars in the middle of the front and rear, as before these use a slightly different capping (diagram 105 & 106).

Important: Please make sure that you use the 40mm countersunk (EV0338) screws where the vent/s will be located, the usual pan headed (EV0332) screws will prevent the vents from closing properly.

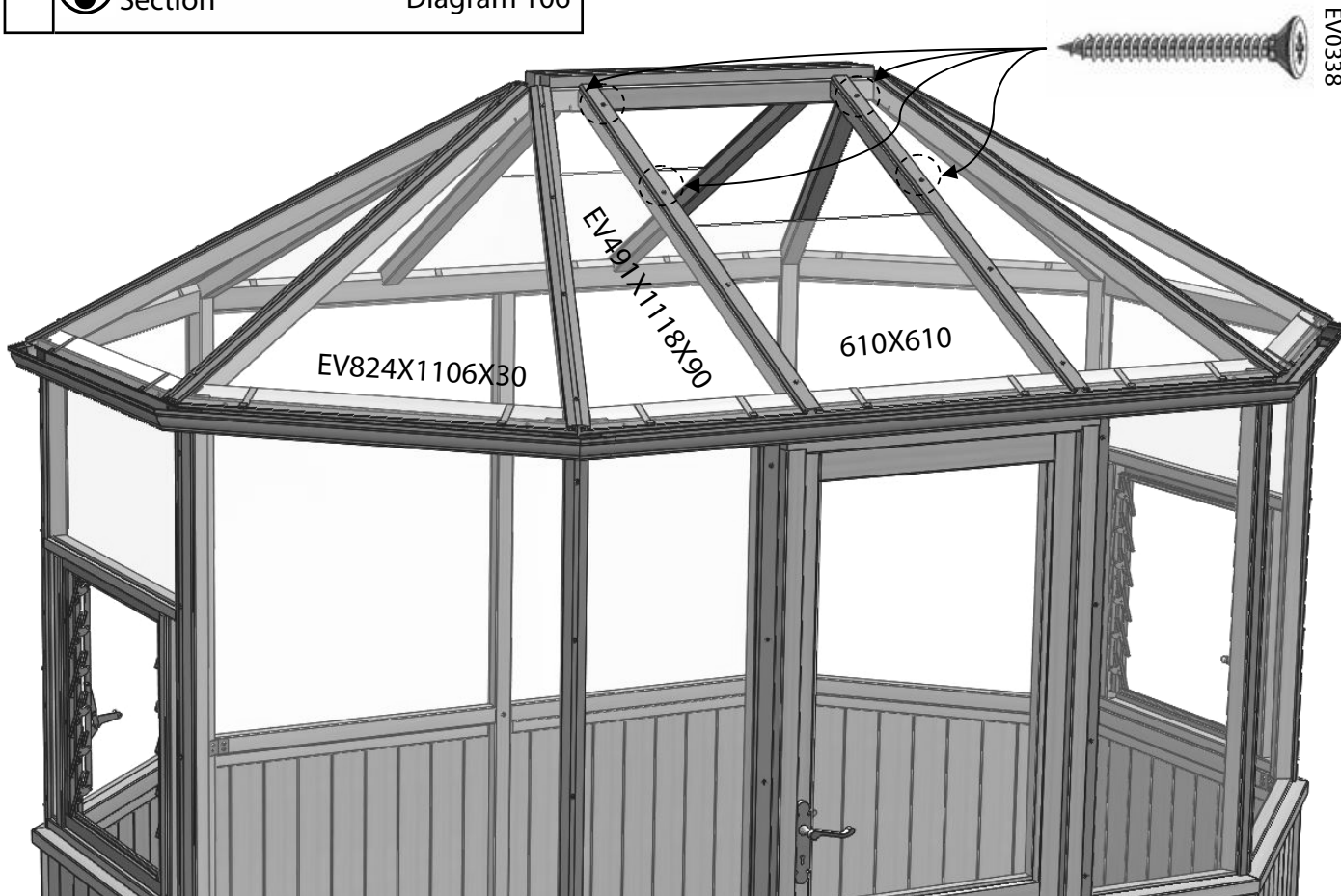
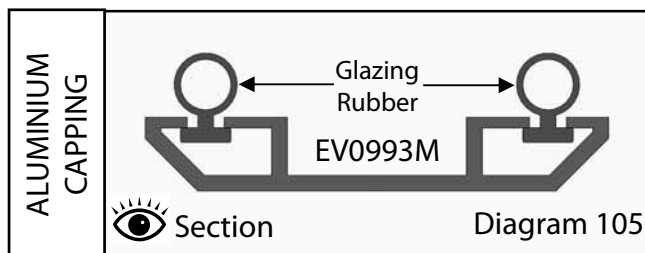
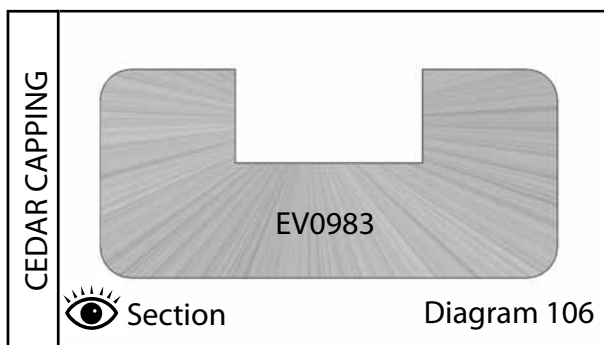
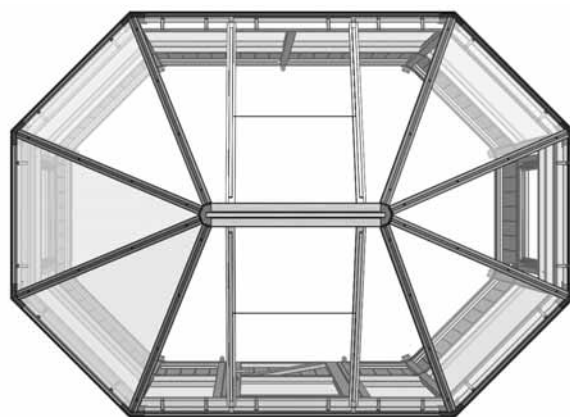


Diagram 104

Glazing (part 2)

If you haven't already done so you can now install the louvre glass. Carefully slide each piece into the glass retainers until it hits the small stop (diagram 108).

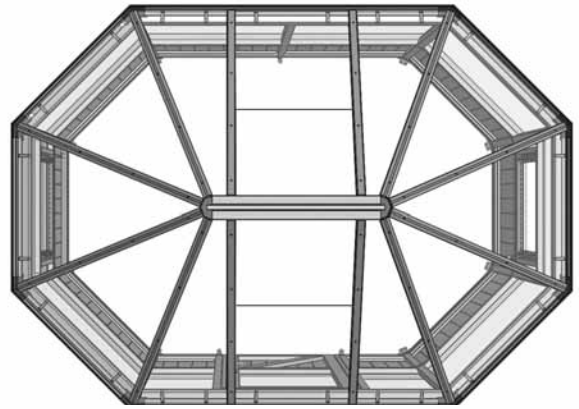
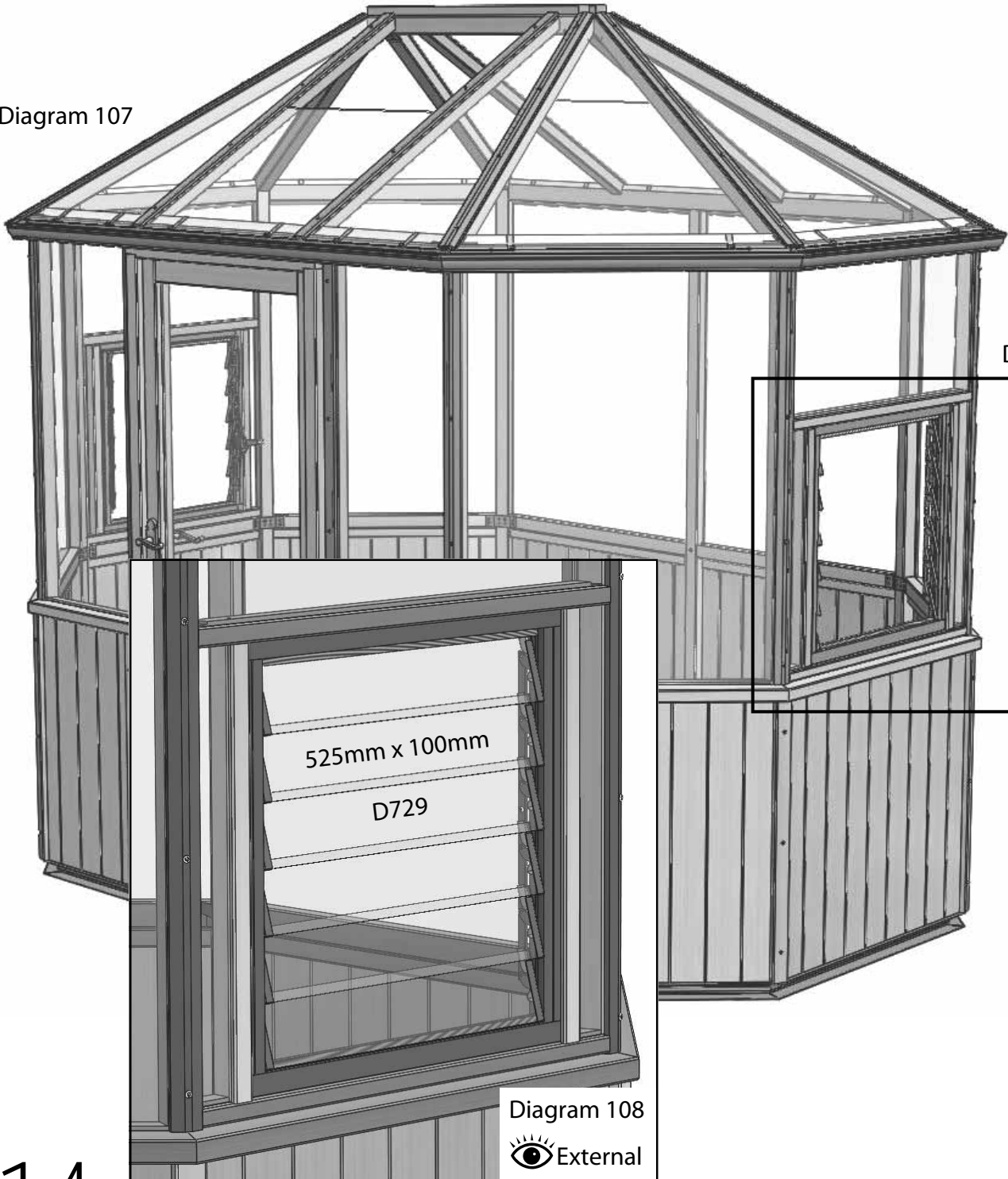


Diagram 107



Dia. 108

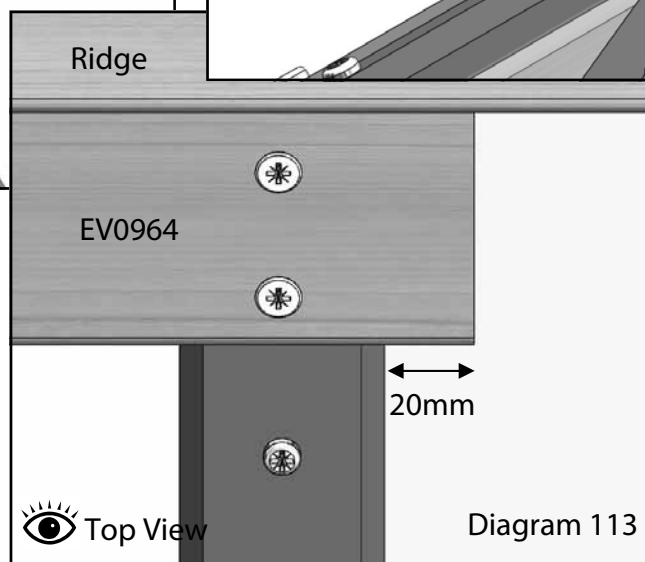
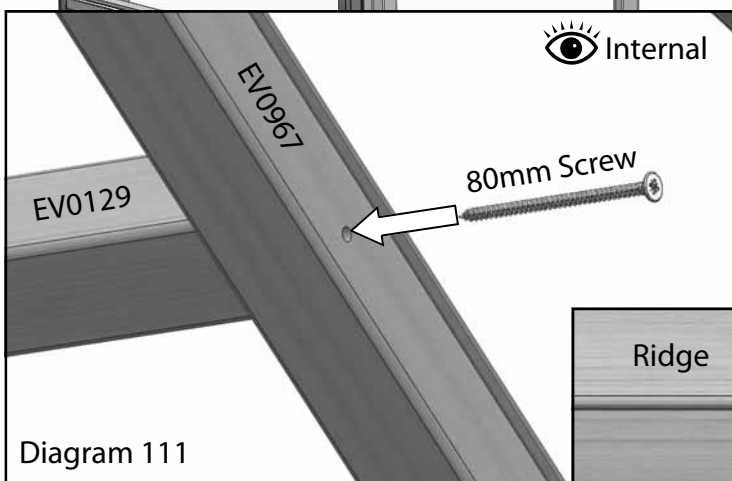
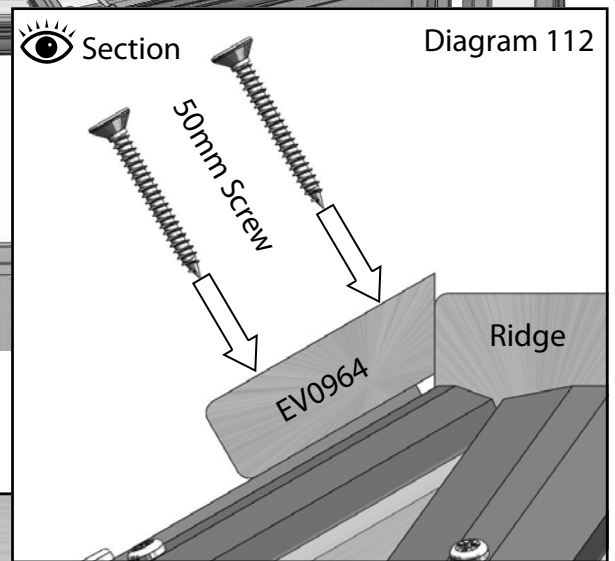
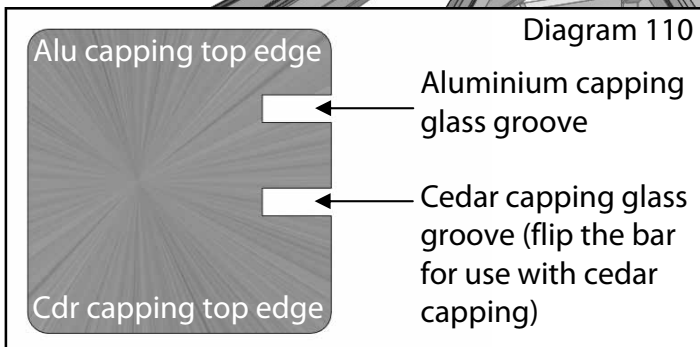
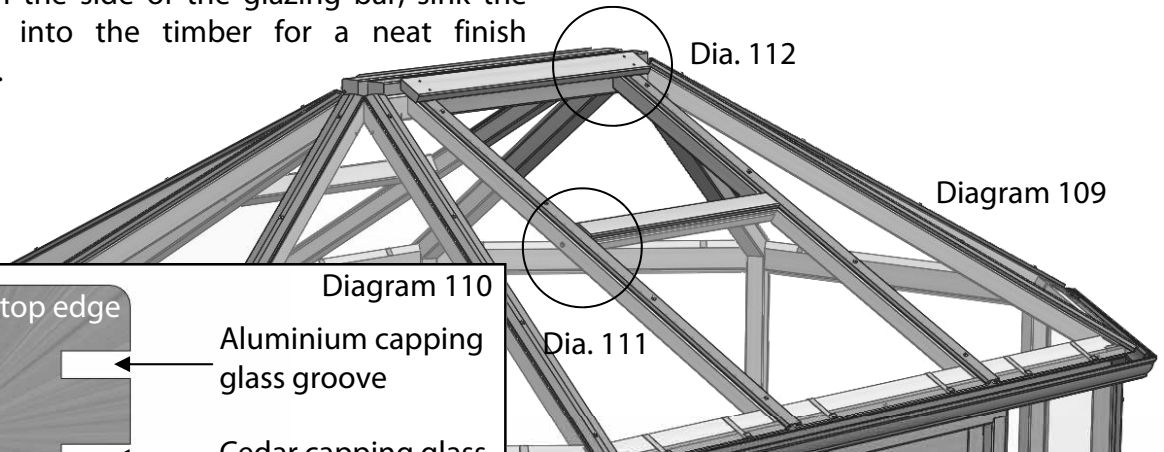
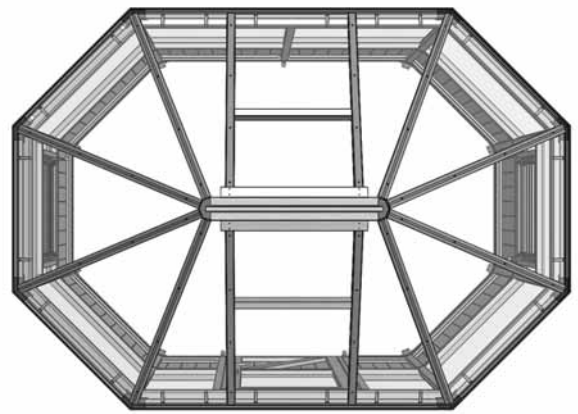
Diagram 108



Slam Rail and Ridge Board

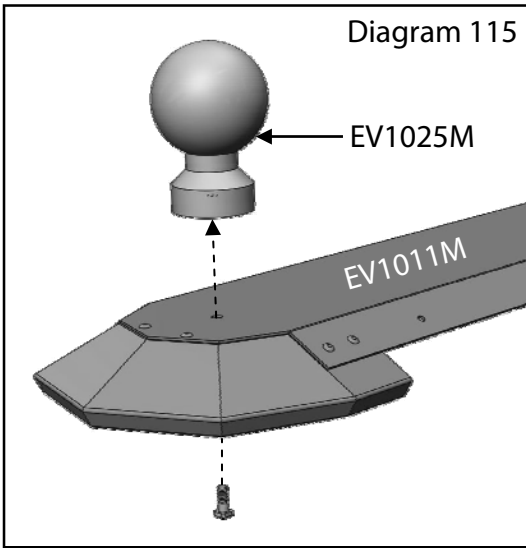
Next install the slam rails onto the top of the glass below the vent aperture (diagram 109). There are 2 grooves in the slam rail, the one nearest the edge should be used for the aluminium capping and the one nearer the middle for the cedar capping (diagram 110).

Drill a pilot hole through the glazing bar, but be careful to avoid the glass! Then fix with an 80mm screw through the side of the glazing bar, sink the head slightly into the timber for a neat finish (diagram 111).



Now fit the ridge board (EV0964) on top of the roof capping. Push it up to the ridge, leave an overhang of 20mm at each end and fix with 50mm screws (diagram 112).

Roof Cowl and Finial



You need to assemble the cowl and finial before you can install it. Locate the 15mm bolts (HE588) in the smalls pack and push these through the centre holes at each end of the cowl. You then screw the finial balls onto these bolts (diagram 115).

Now fix the cowl assembly to the ridge using 19mm pan head screws (diagram 114).

Diagram 114

 External

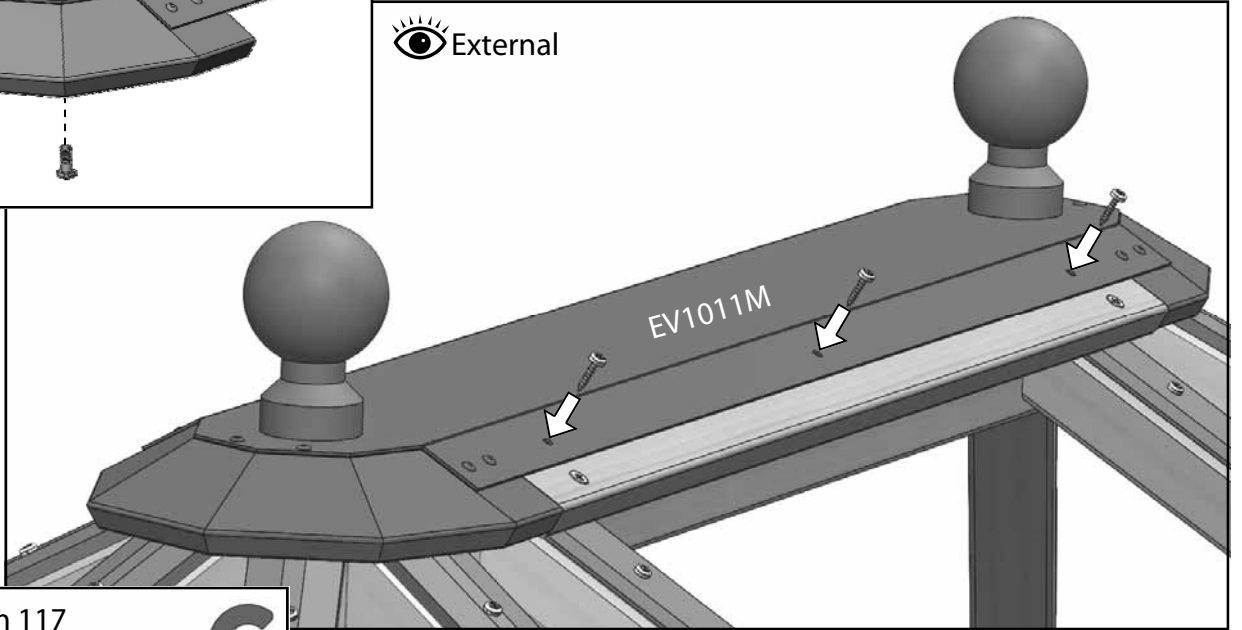
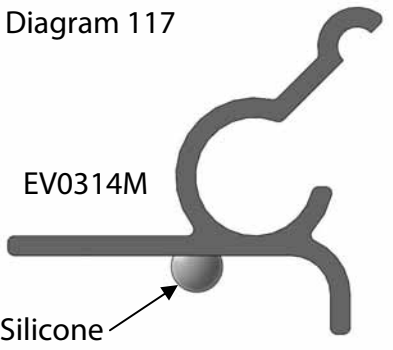
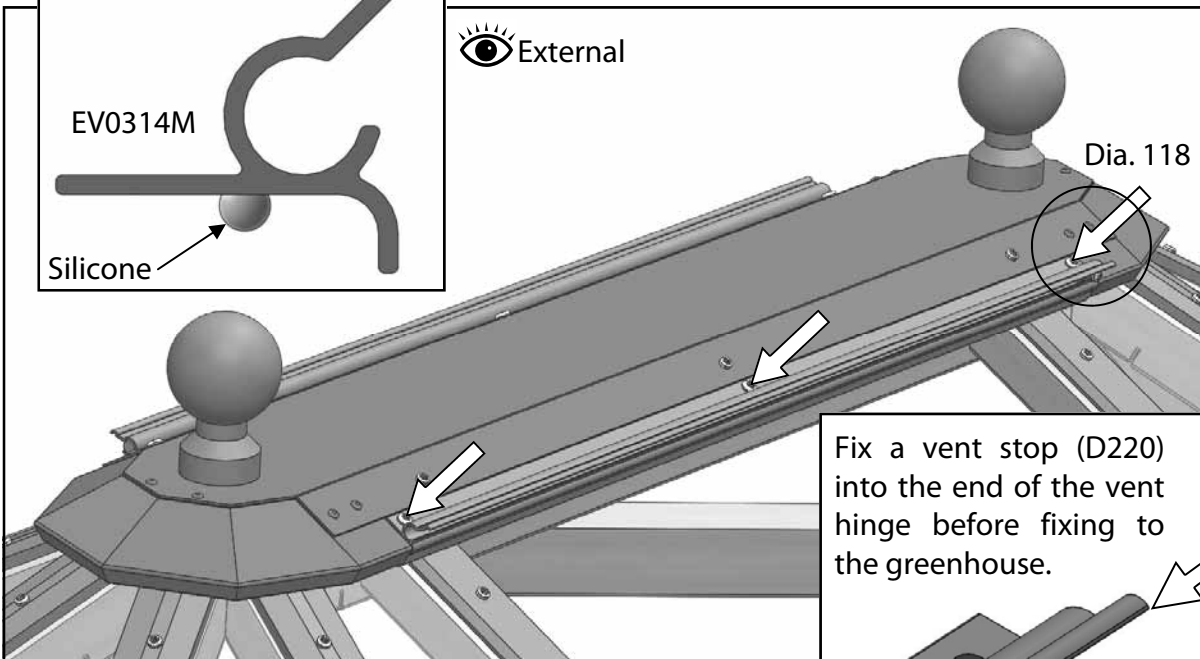


Diagram 117



 External



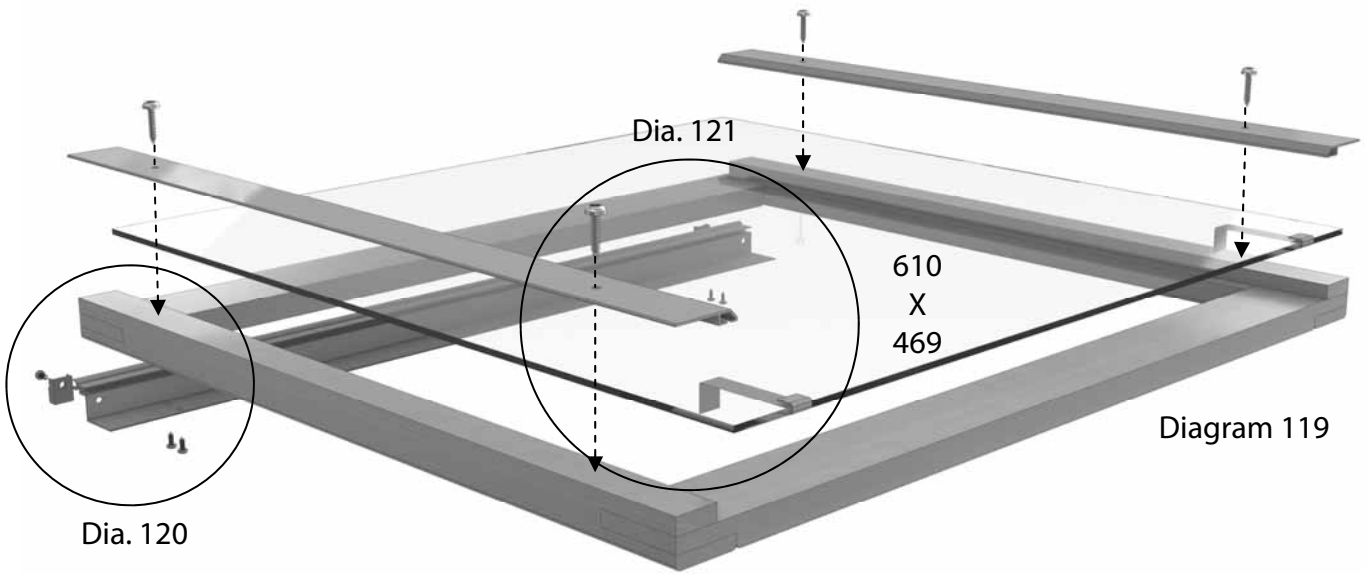
Fix a vent stop (D220) into the end of the vent hinge before fixing to the greenhouse.

Diagram 118

Diagram 116

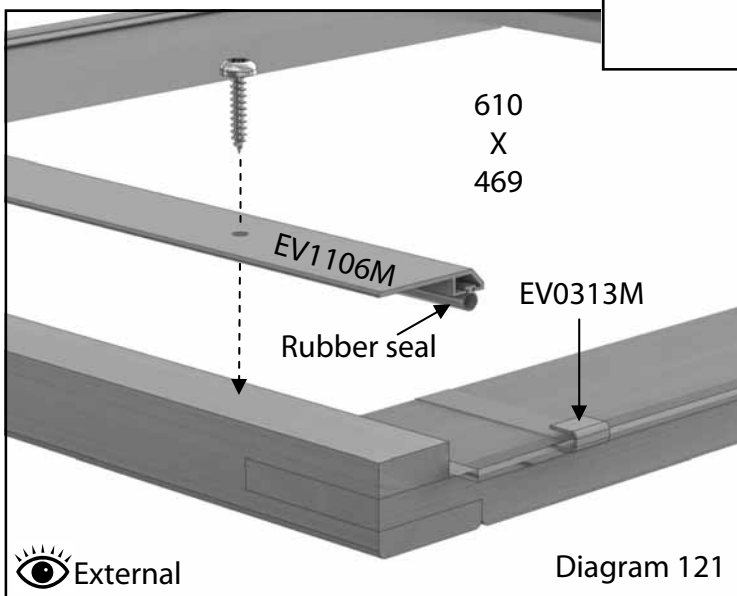
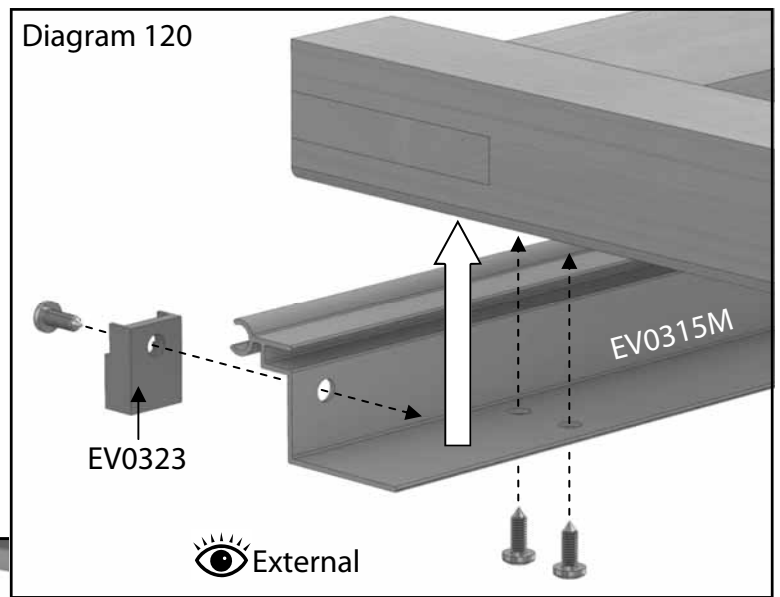
Prepare the ridge hinge (EV0314M) by running a bead of silicone along the back edge (diagram 117). Fix in place with 19mm pan head screws.

Roof Vent Installation



Take the vent frame that is ready assembled and fix the vent hinge to one end through the 4 pre drilled holes using the 19mm screws, diagram 120. Once this is in place fix the plastic vent filler (EV0323) also with a 19mm screw, its is **important** to make a pilot hole before fixing the plastic filler to prevent splitting.

Now take a 610mm x 469mm pane of glass and locate this in the vent hinge. Before lowering this down completely slot the glass stops onto the open edge.



When in position you can fix the glass in place with the vent capping (either cedar or aluminium) using the 25mm screws, diagram 121. Remember if you are using the aluminium capping system you will need to insert the rubber seal before fixing it in place.

(Cedar capping part number: EV1110)

Roof Vent Installation

Next slide the roof vent along the channel of the ridge hinge and secure with another vent stop, diagram 123. You can now lower the vent until it rests on the roof bars.

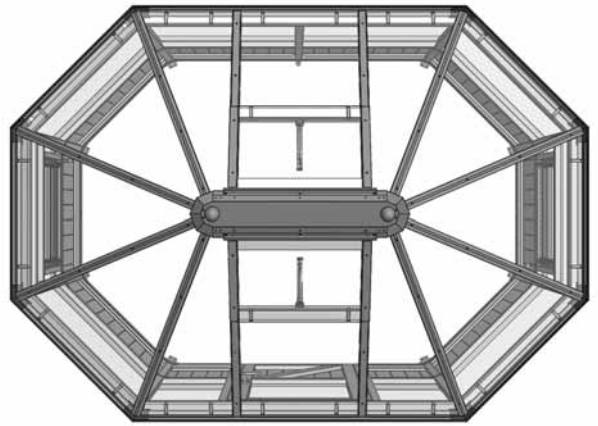


Diagram 122

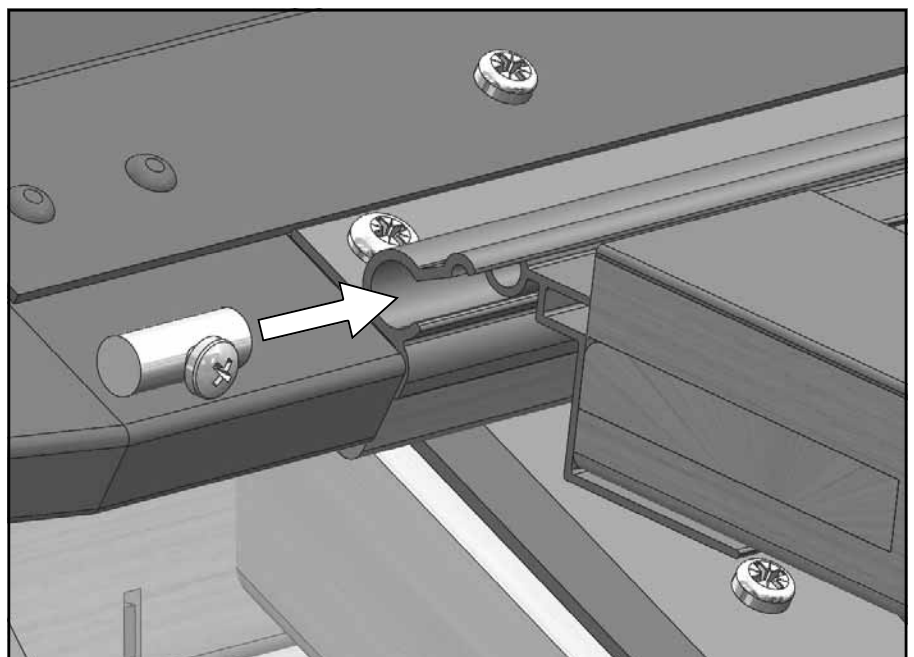
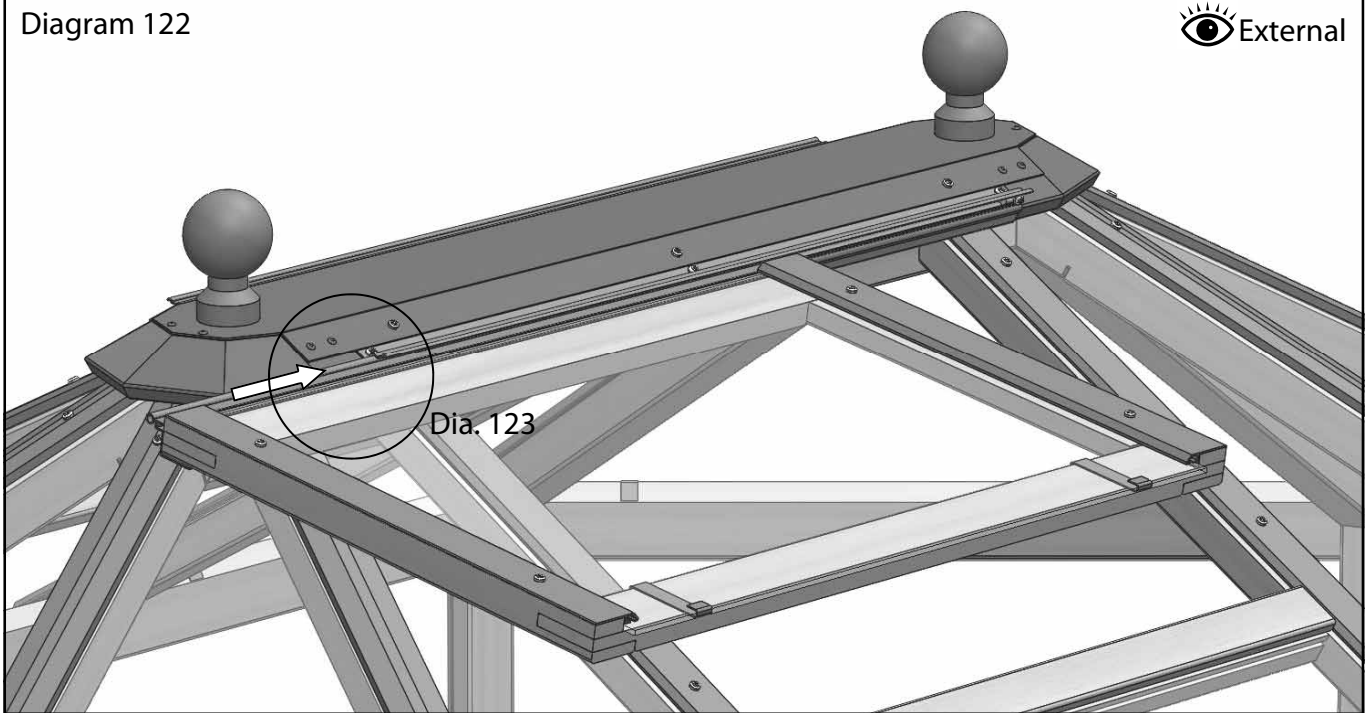


Diagram 123

Roof Vent Installation

Diagram 124

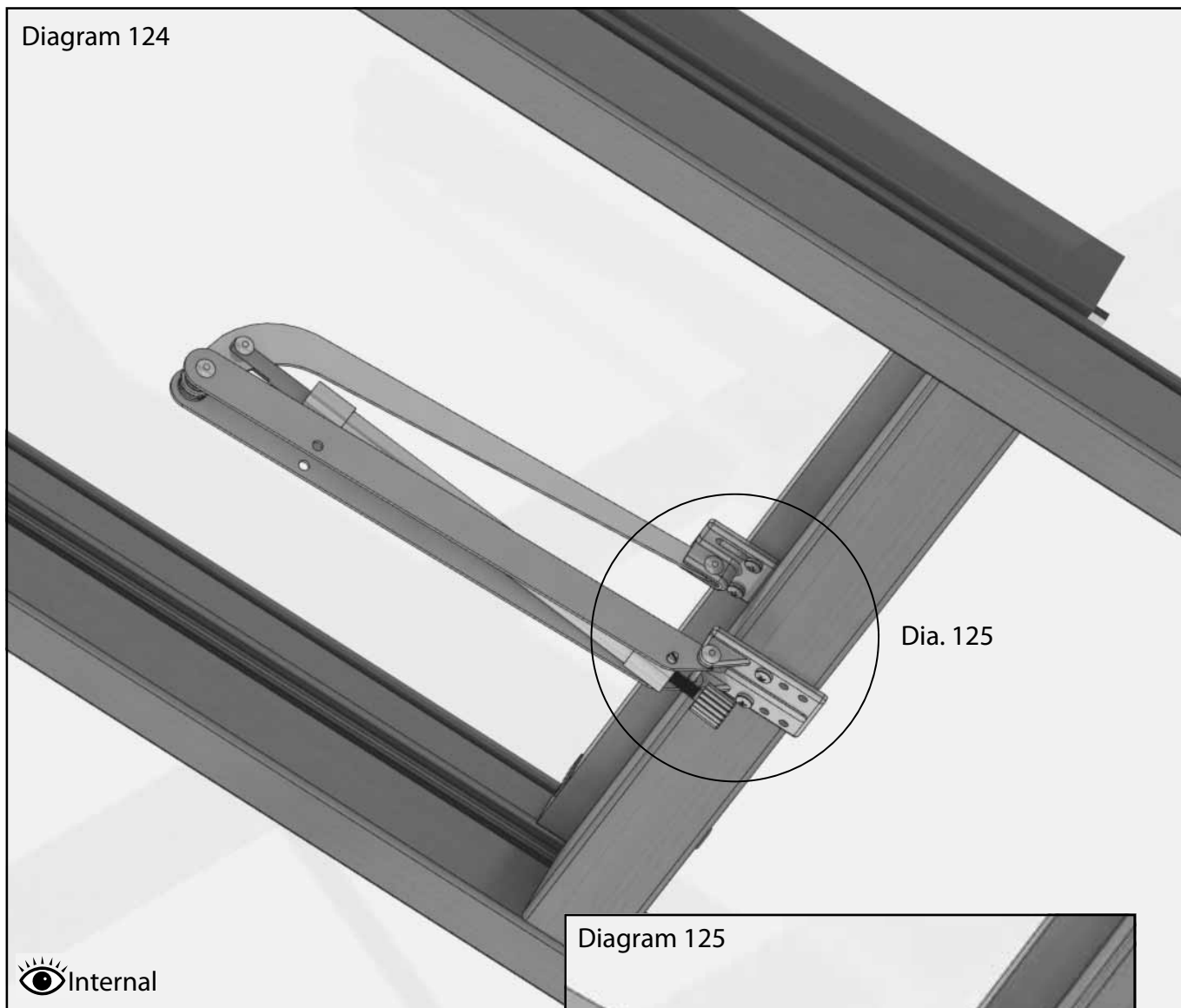
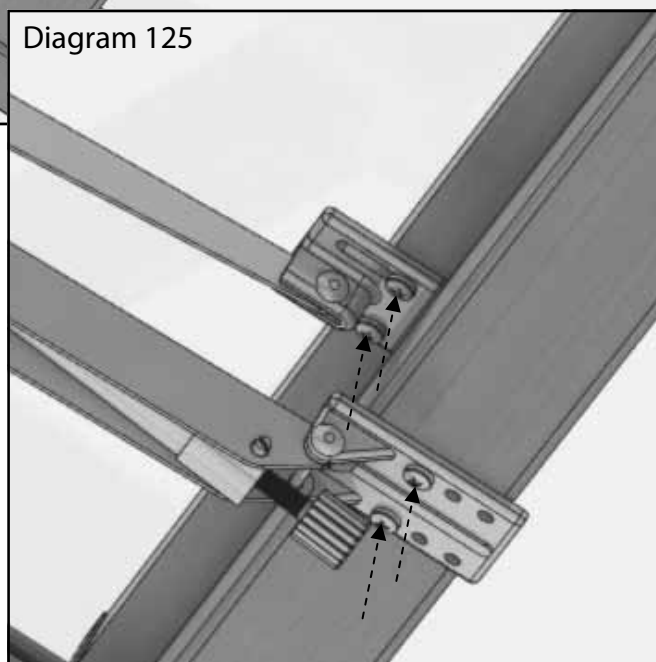


Diagram 125

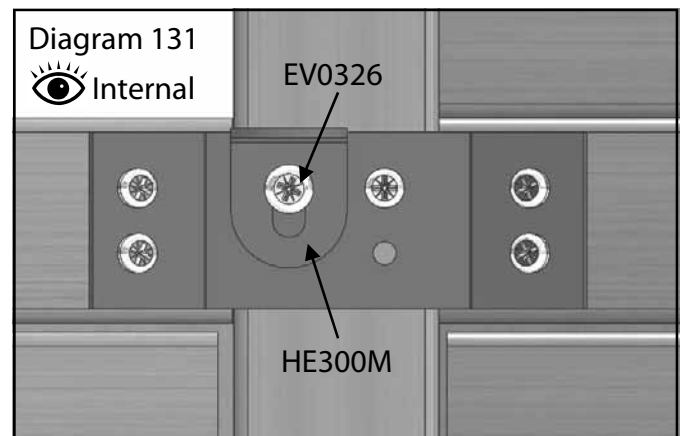
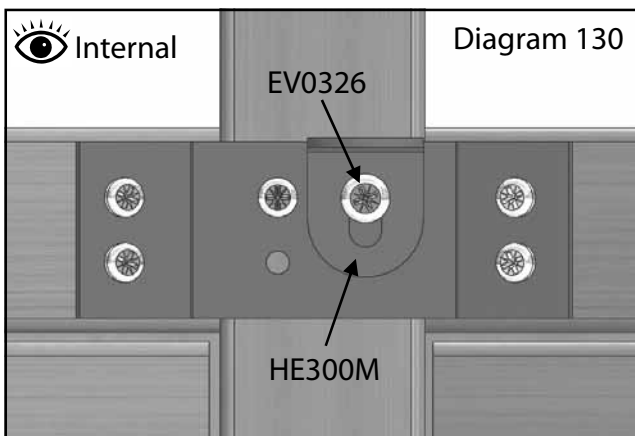
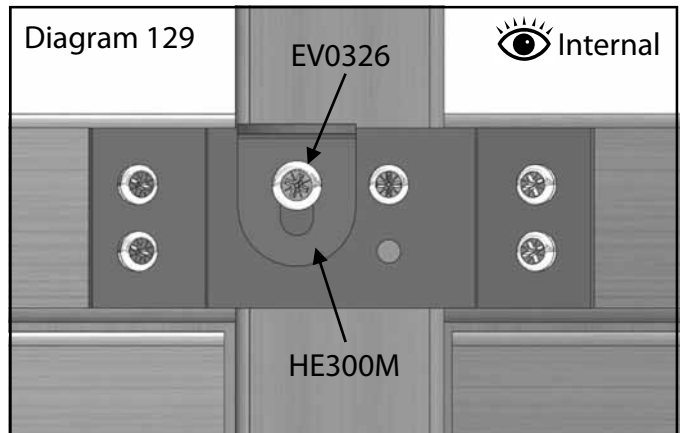
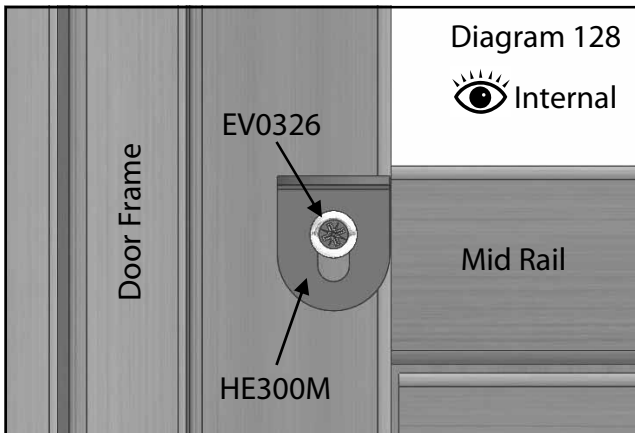
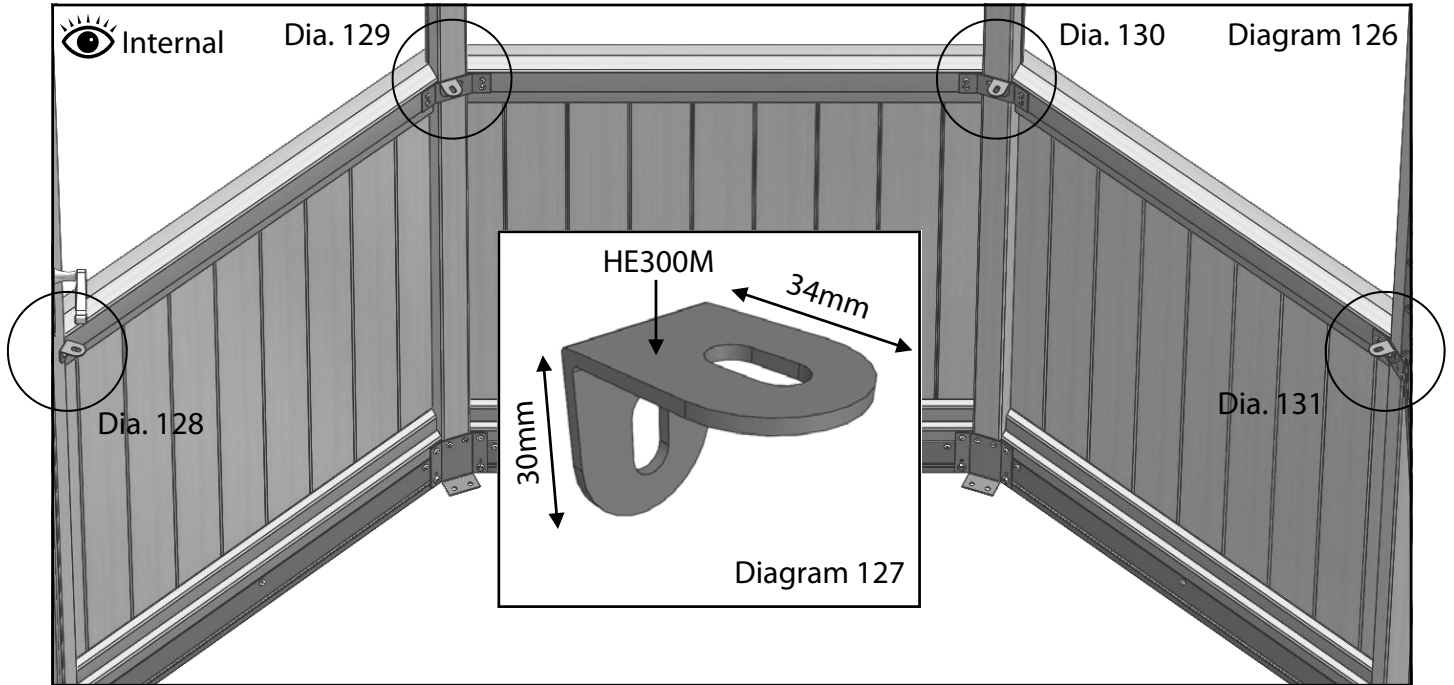


Now fit your autovents to the slam rail and to the bottom of the roof vents, diagram 125. Use 19mm screws to secure the top arm of the autovent to the roof vent, do this with the roof vent in the closed position so that you get the bracket in the correct position.

Adjust the lower arm on the slam rail until the arms of the autovent are as inline with the roof as possible, then fix with 25mm screws.

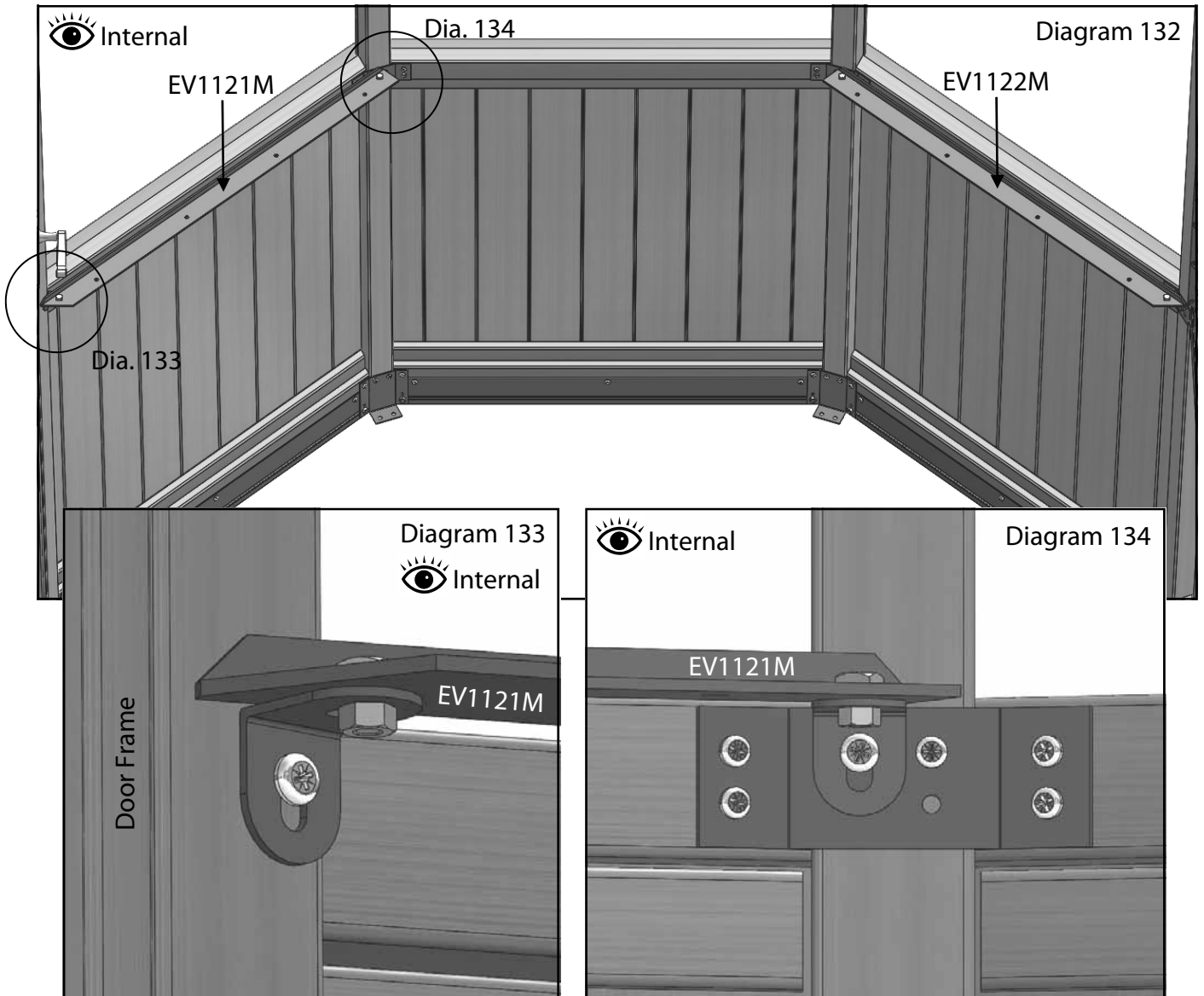
Staging Installation

Position each bracket (HE300M) as shown in the diagrams below, the shorter tab fixes to the side of the greenhouse (diagram 127). Always use the large head 25mm screw supplied for the staging brackets and supports (EV0326).



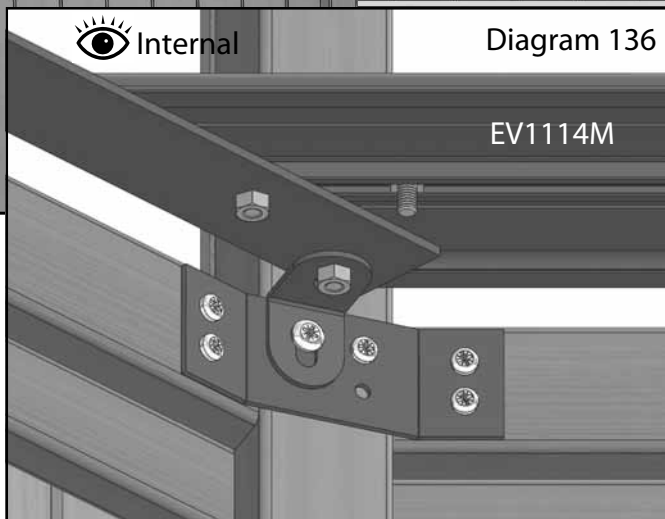
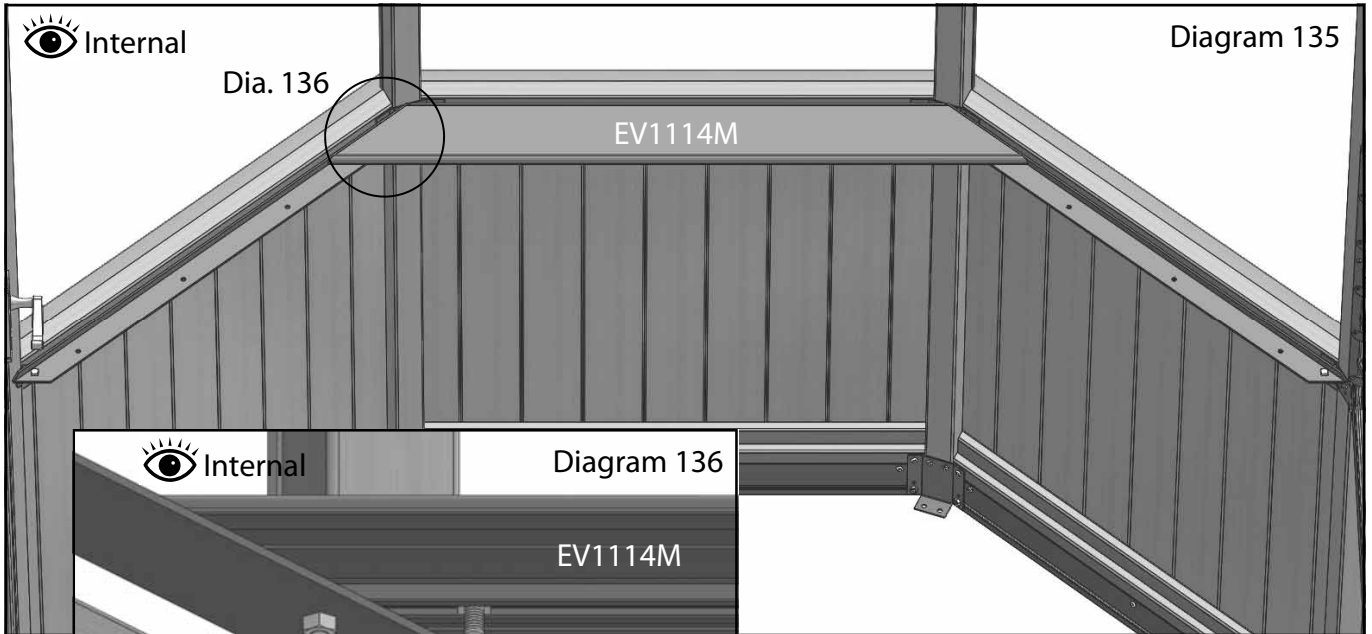
Staging Installation

Now attach the outer staging arms (Left - EV1121M and Right - EV1122M), These bolt to the HE300M brackets with a 10mm bolt (HE576) and nut (HE579) as shown in diagram 133 and 134. If you struggle to line the holes up try loosening the screws, fix the nut and bolt an then tighten the screw again.

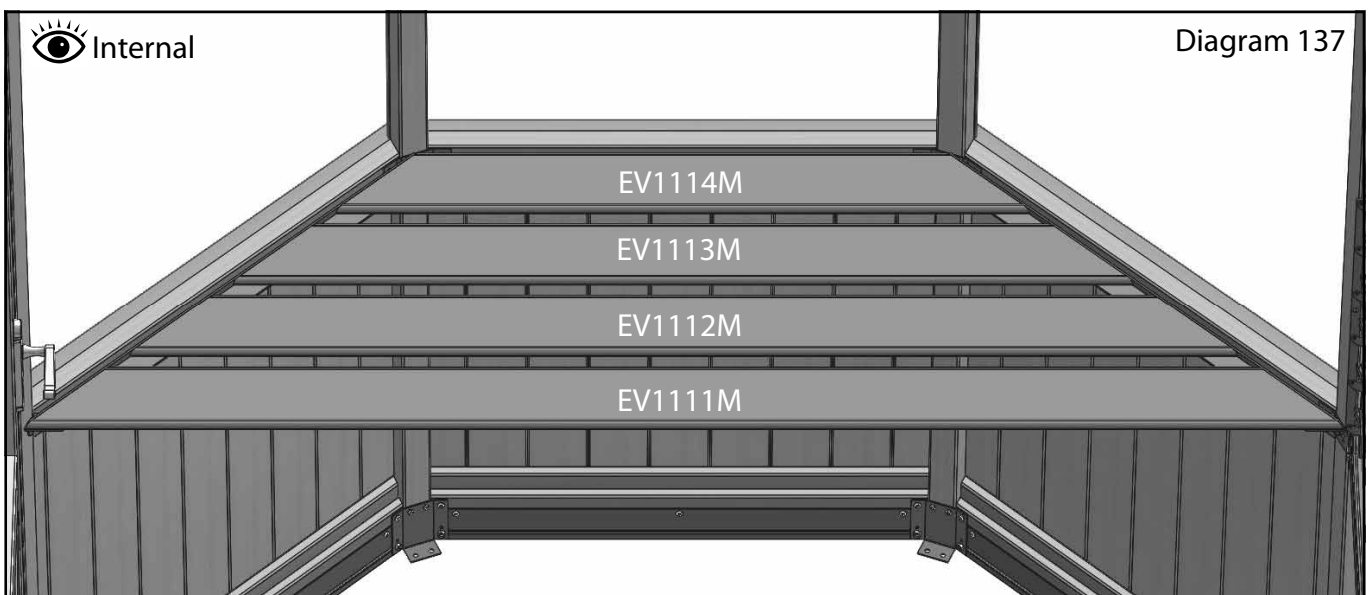


Staging Installation

You can now start to install the staging slats. Each slat needs 4 x 10mm bolt (HE576) sliding down the bolt channel on the underside. Its easiest to lay the slat topside down to do this, then turn it over to position it. The two bolts closest to the ends locate with the holes in the staging arms (diagram 136). The longest slat (EV1111M) nearest to the middle of the greenhouse needs 5 x 10mm bolts.

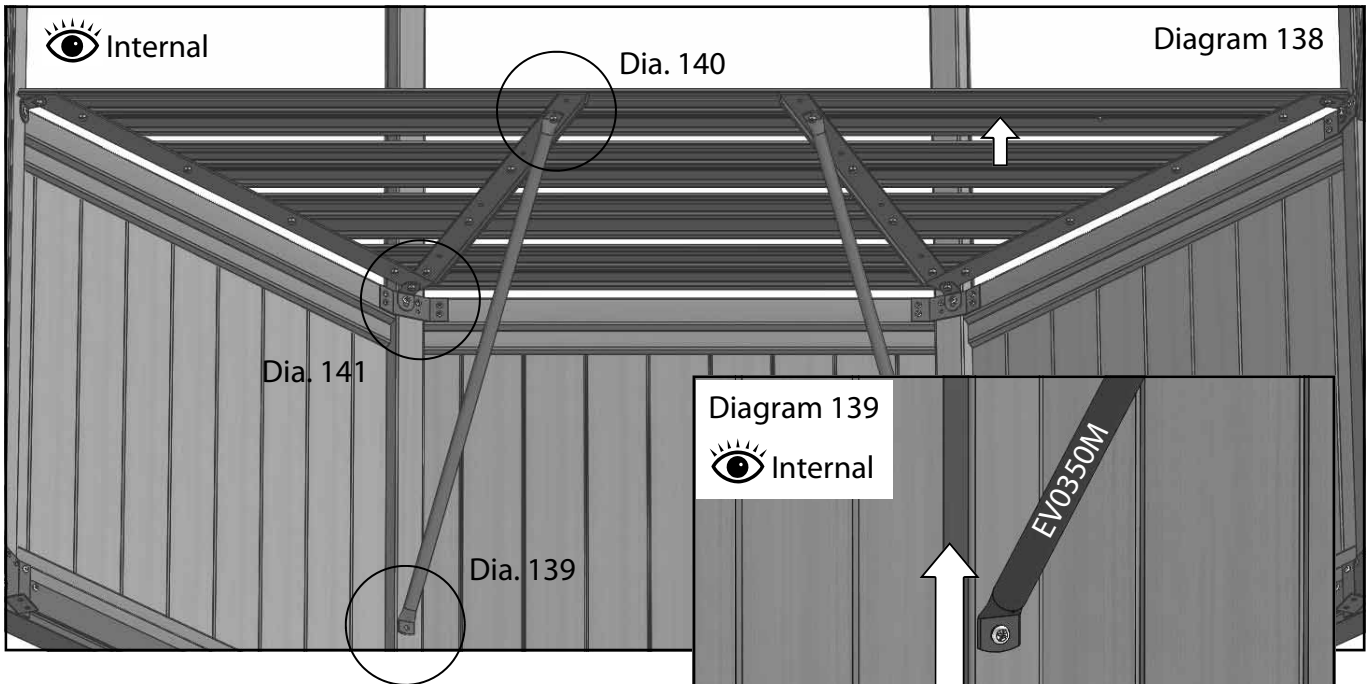


The ends of the slats should line up with the staging arm, if they don't then this suggests the building is out of square. Try adjusting the position of the base until the slats line up.

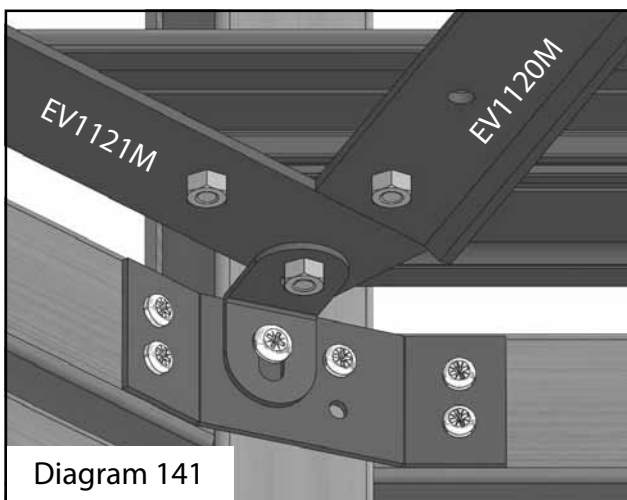
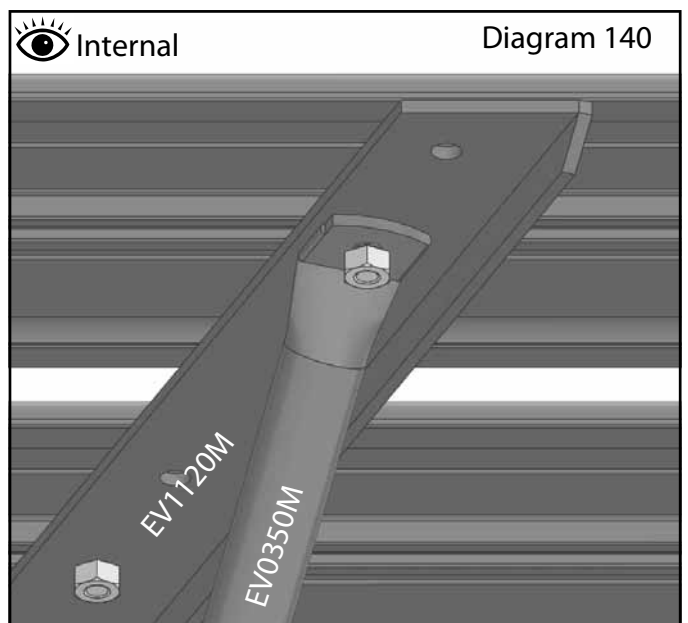


Staging Installation

You now need to bolt the internal arm (EV1120M) onto the underside of the slats (diagram 138). This uses the extra bolts you inserted earlier. Loosely fit the nuts for now. Before attaching the internal arm to the longest slat you also need to attach the diagonal support (EV0350M) to the same bolt. Line the ends of the internal arm up with the front edge of the staging (diagram 140) and with the outer staging arm at the rear (diagram 141), once happy with the position tighten all the nuts. The extra bolt in the longest slat should be left towards the rear of the building as this is used to connect the next section of staging (shown by the arrow in diagram 138).

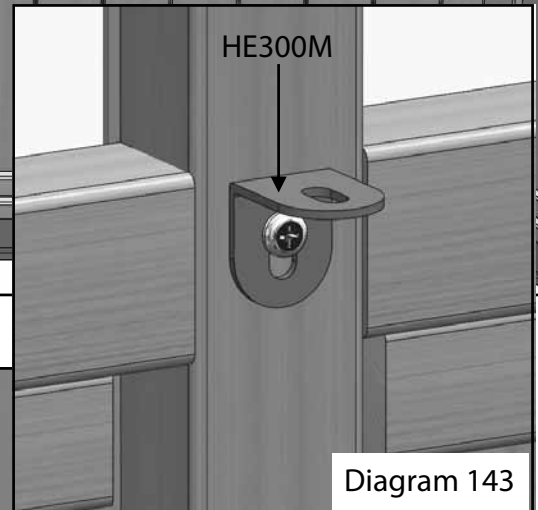
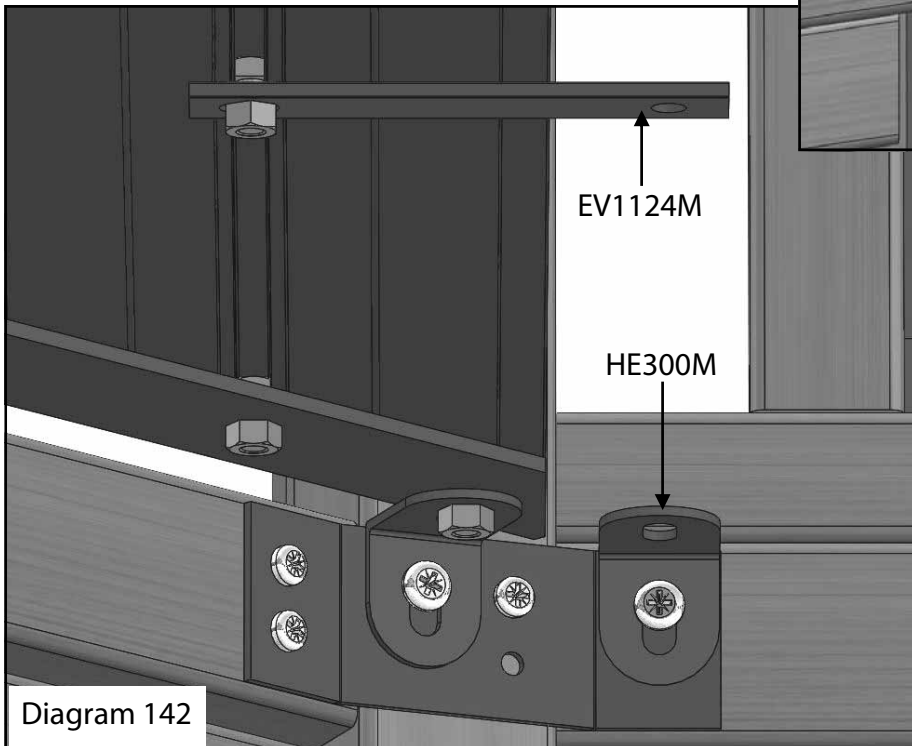
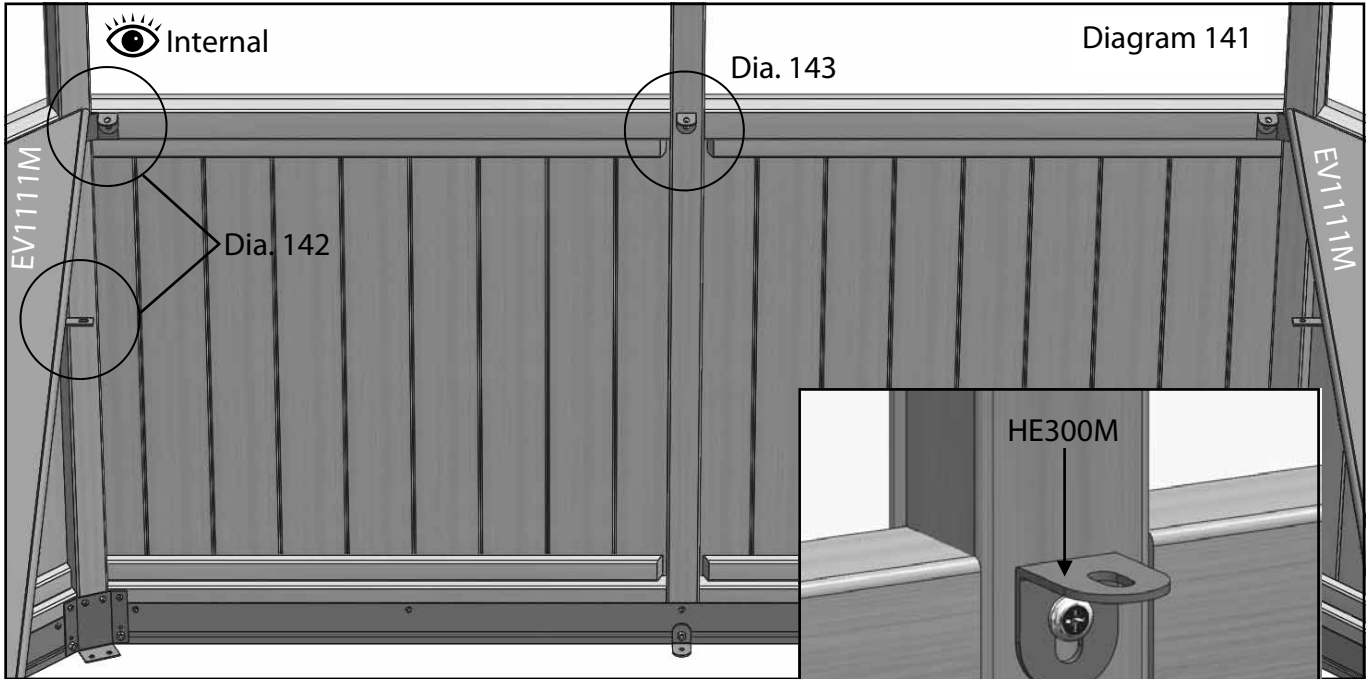


Using a level make sure the staging is flat and level before fixing the diagonal support in place with a large head 25mm screw (diagram 139). Repeat this installation for the other side of the greenhouse.



Staging Installation

With both end sections of staging in place you can now fit the infill section. Start by fitting the small brackets (HE300M) to the rear of the greenhouse (diagram 142 & 143). You will need to remove the 25mm round head screw to fix the brackets on the rear mid rail. As before fix in place with the large head 25mm screw. Next, attach the staging support bracket (EV1124M) to the extra bolt on the underside of the long slat (diagram 142).

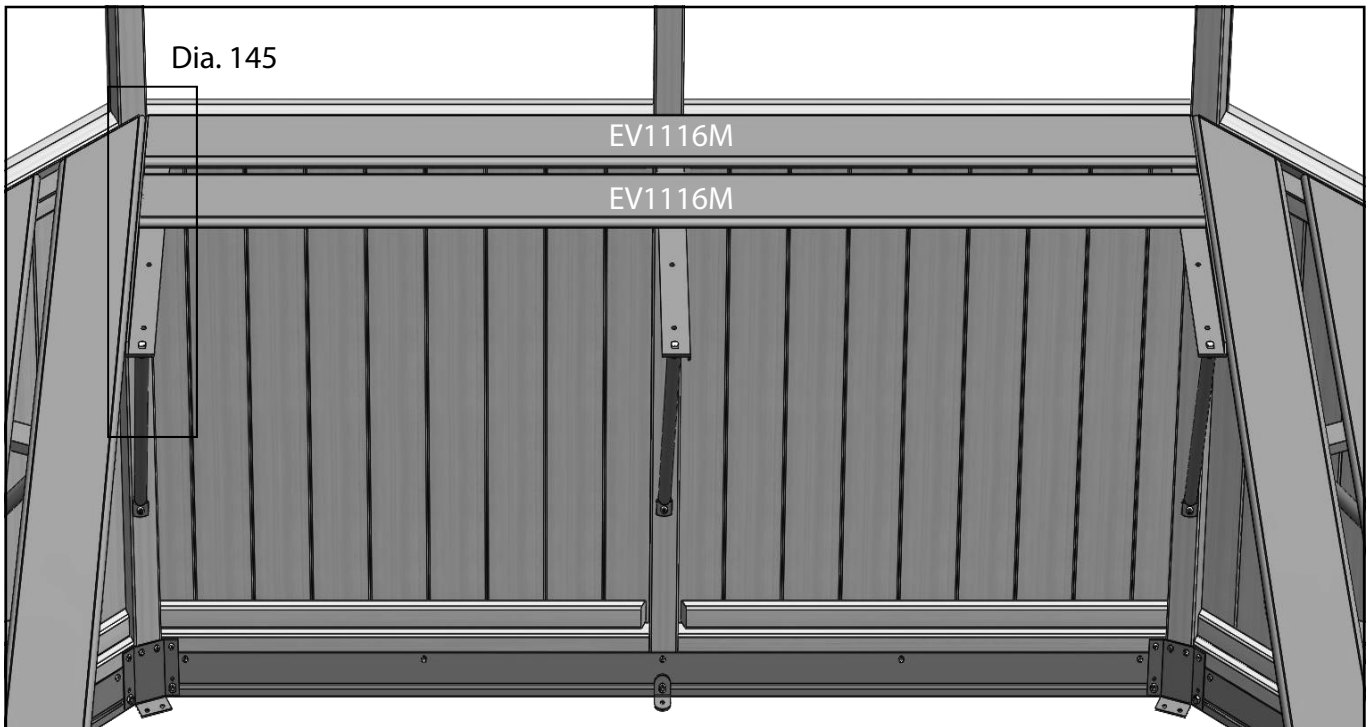



Staging Installation

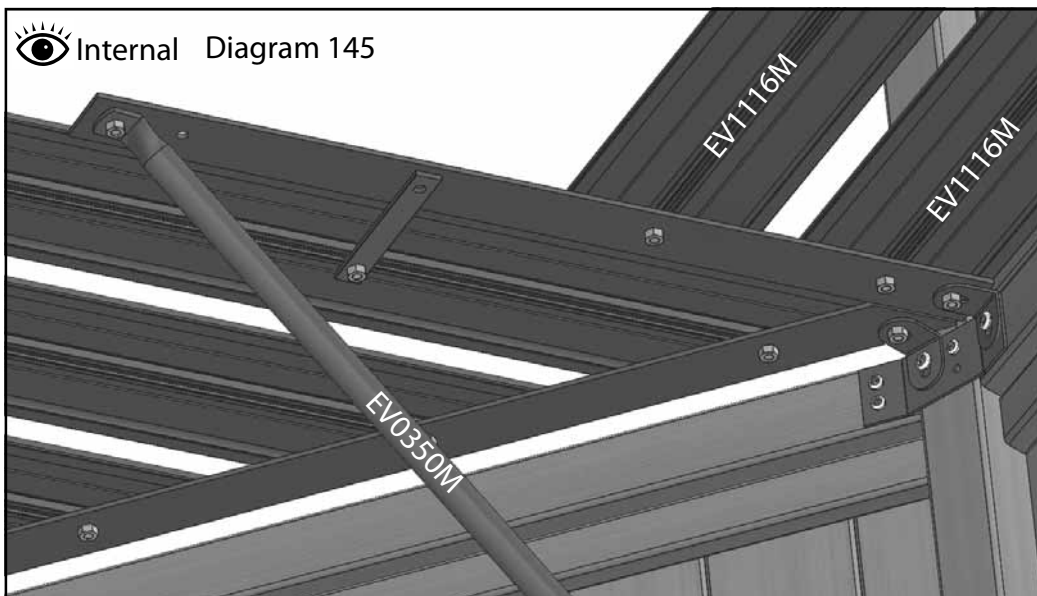
Now fit the infill staging arms (EV1123M) to the small brackets on the rear of the building with 10mm nuts and bolts. Don't fix to the staging support bracket yet, just use this to support the arm while you fit the first couple of slats. Slide three 10mm bolts into each of two infill staging slats (EV1116M) and position them as shown in diagram 144. Loosely attach these for now as you may need some adjustment.

 Internal

Diagram 144



 Internal Diagram 145



Attach two diagonal supports (EV0350M) to the last hole in the infill staging arm (diagram 145).

Staging Installation

Slide three bolt into each of the last two slats and slot them into place. Line the staging support bracket (EV1124M) up with the bolt on the 2nd slat in from the front and attach nuts to both.

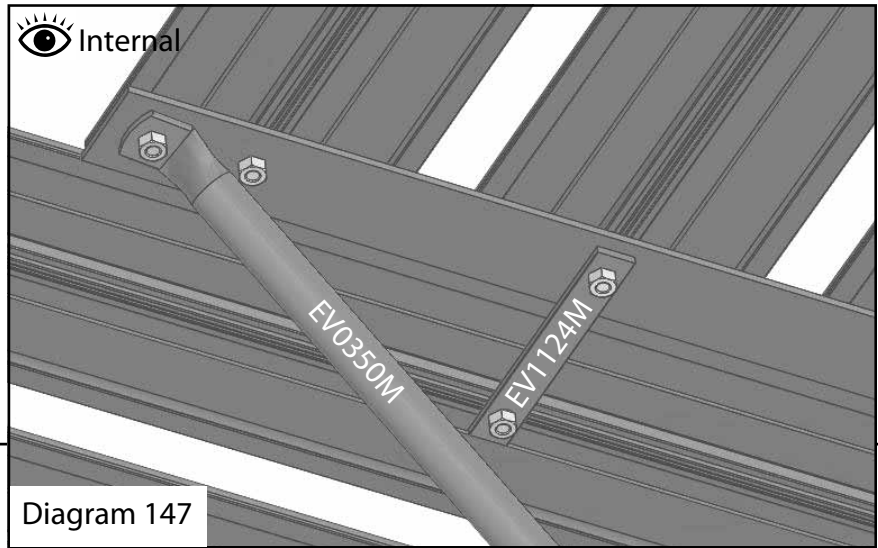
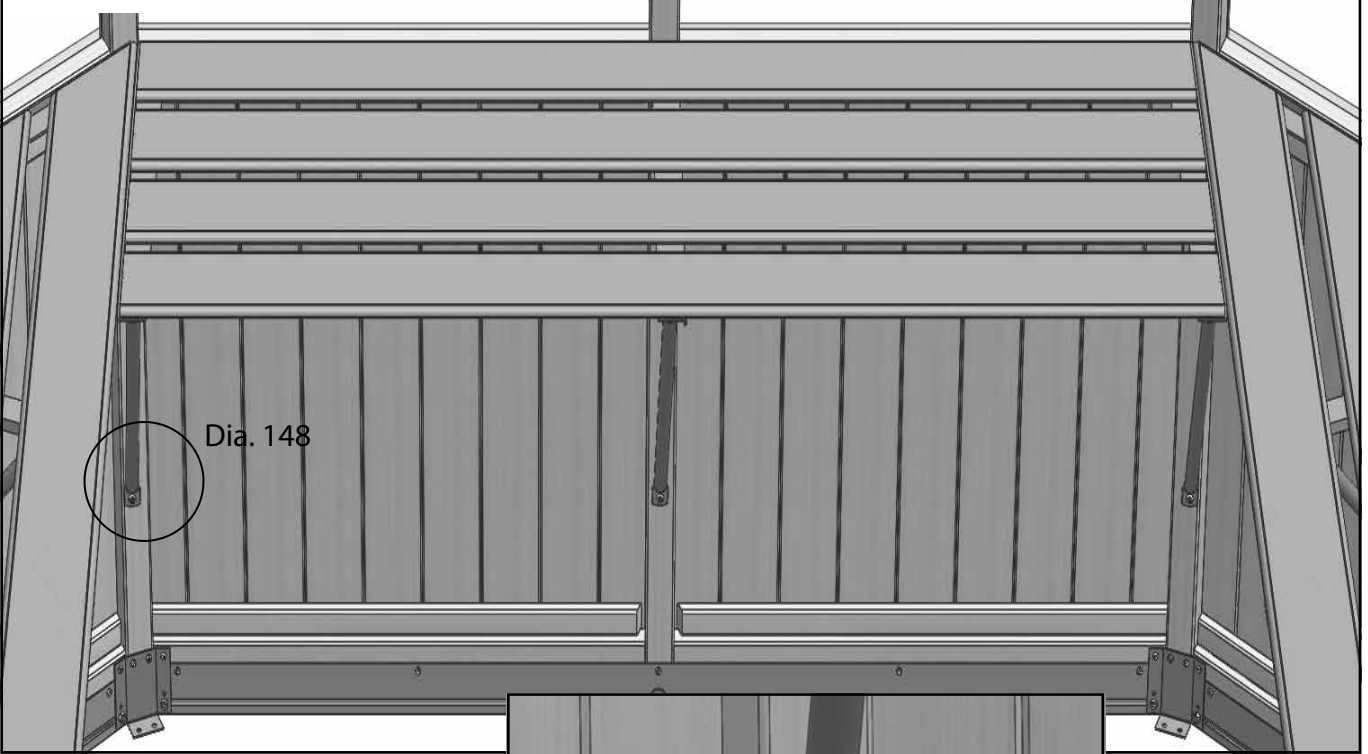


Diagram 146



Make sure all the staging slats are level before fixing the diagonal support with a large head 25mm screw (diagram 148).

When you are happy with the position of the infill staging section tighten all of the nuts.

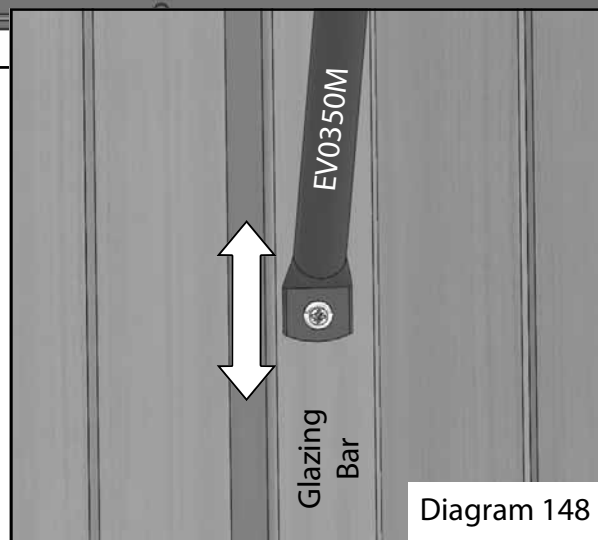
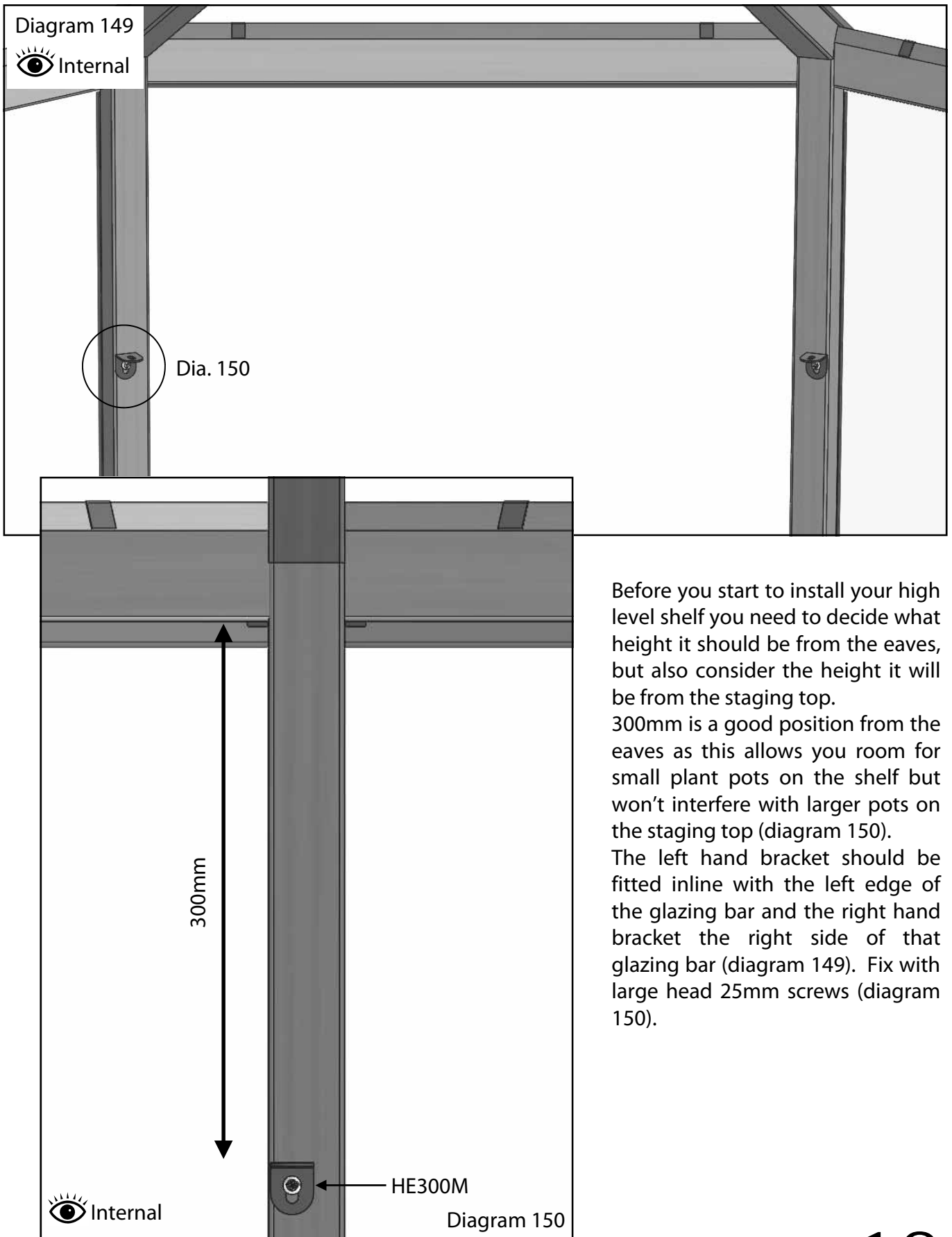


Diagram 148

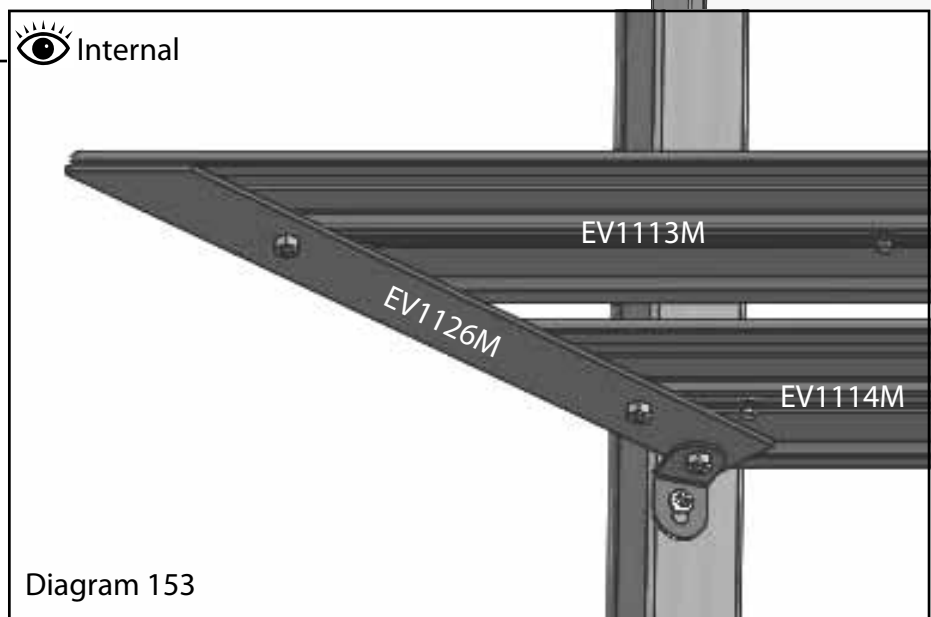
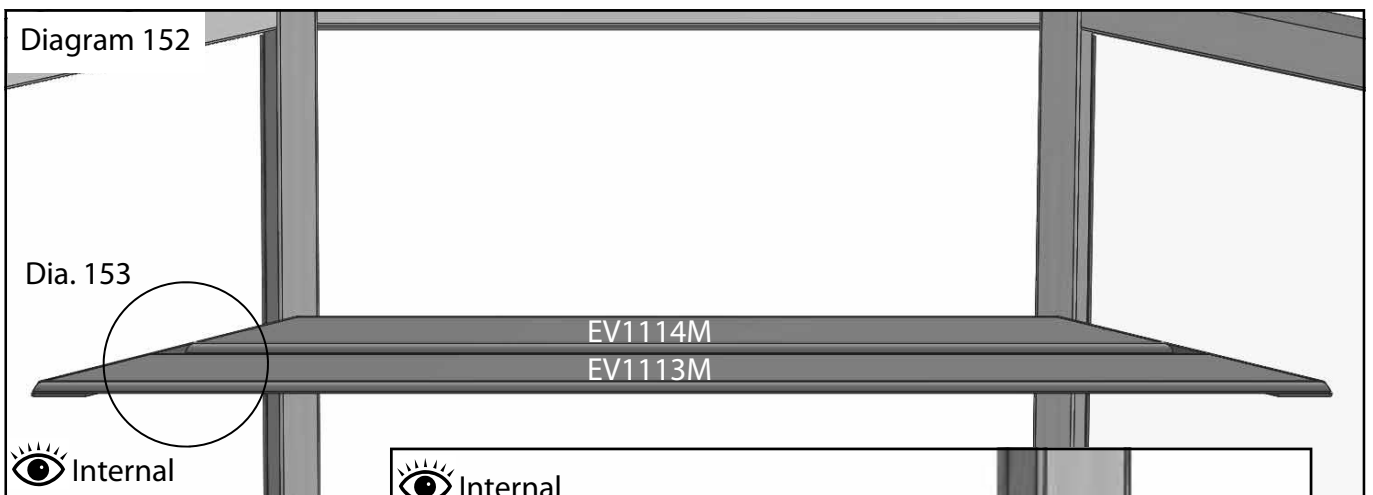
High Level Shelf Installation



Before you start to install your high level shelf you need to decide what height it should be from the eaves, but also consider the height it will be from the staging top. 300mm is a good position from the eaves as this allows you room for small plant pots on the shelf but won't interfere with larger pots on the staging top (diagram 150). The left hand bracket should be fitted inline with the left edge of the glazing bar and the right hand bracket the right side of that glazing bar (diagram 149). Fix with large head 25mm screws (diagram 150).

High Level Shelf Installation

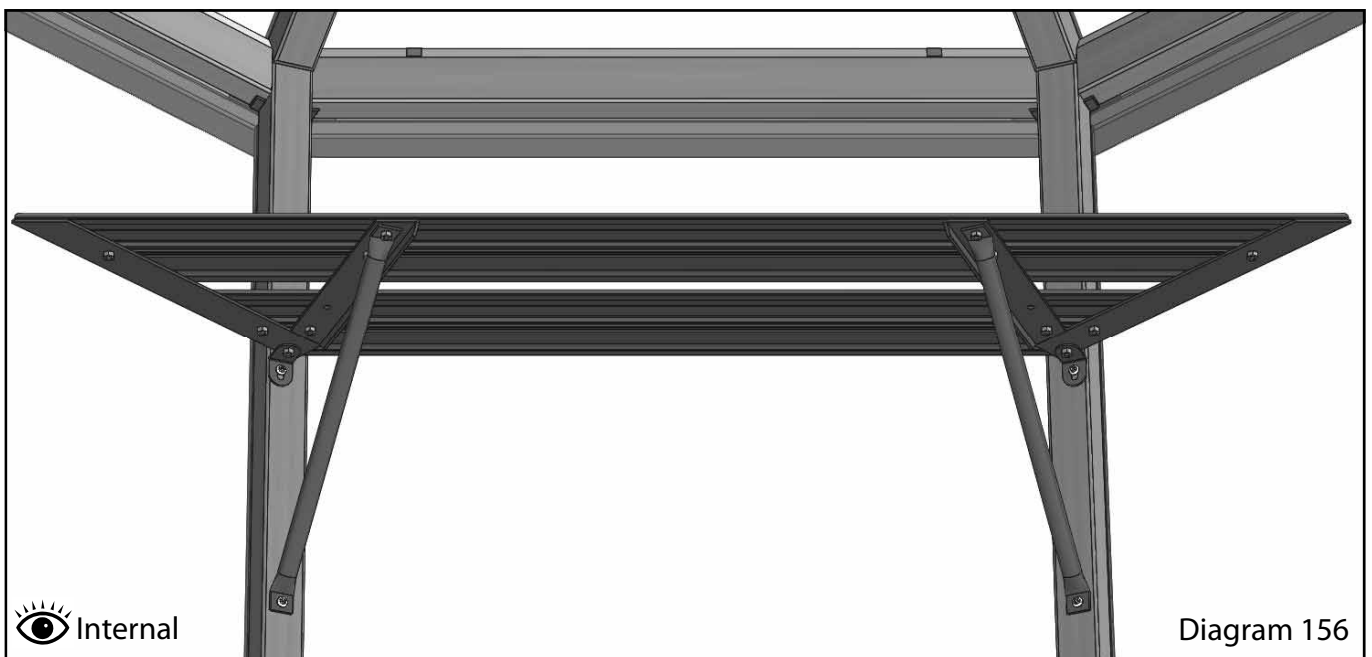
Attach the outer shelving arm (Left - EV1126M and Right - EV1127M) to the small bracket with a 10mm bolt in the hole nearest the square end (diagram 151). Next slide 4 x 10mm bolts down each shelf slat, use the two nearest the ends to attach to the outer shelving arms (diagram 153).



High Level Shelf Installation

You now need to assemble the internal shelving arms (EV1128M) with the tubular supports (EV0348M). You need to create one left hand assembly and one right hand assembly (diagrams 154 & 155).

Now offer each assembly to the shelving slats and slot them on to the bolts already inserted. Line up with the front edge and at the rear with the outer shelving arm, attach nuts and fix when you're happy with the position. Check the shelf is level before fixing the tubular supports to the greenhouse frame (diagram 156).



Downpipe Installation

In the gutter section supplied to take the downpipe there are two holes, you can decide which hole to use for the outlet and then simply blank the other hole off with the insert supplied (D214).

Start by adding a small amount of silicone to the underside of the collar on the outlet (D201), diagram 130. Push the outlet through the hole and attach the downpipe (D211).

While supporting the downpipe slide the downpipe clip (EV0740M) on from the bottom of the pipe. Fix this to the mid rail with a 25mm round head screw (diagram 159).

When secure fit the downpipe shoe (D207) to the bottom of the pipe (diagram 160).

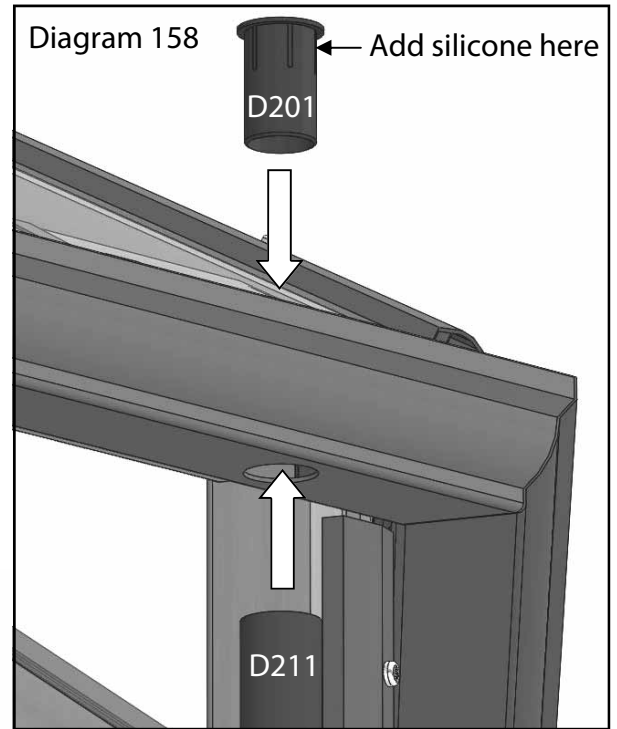
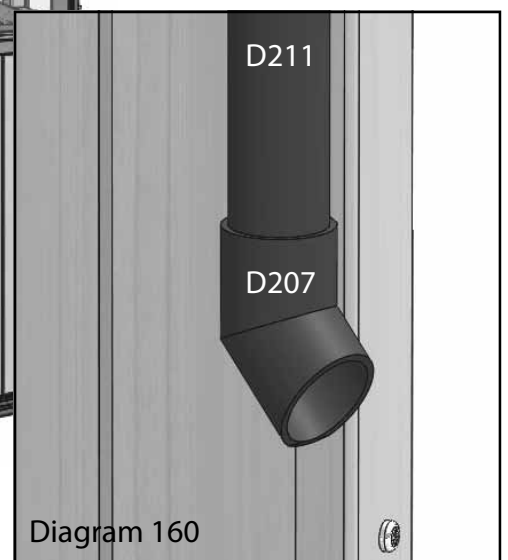
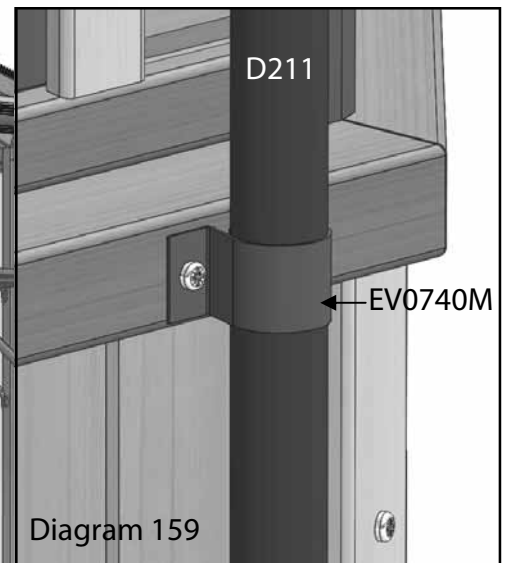
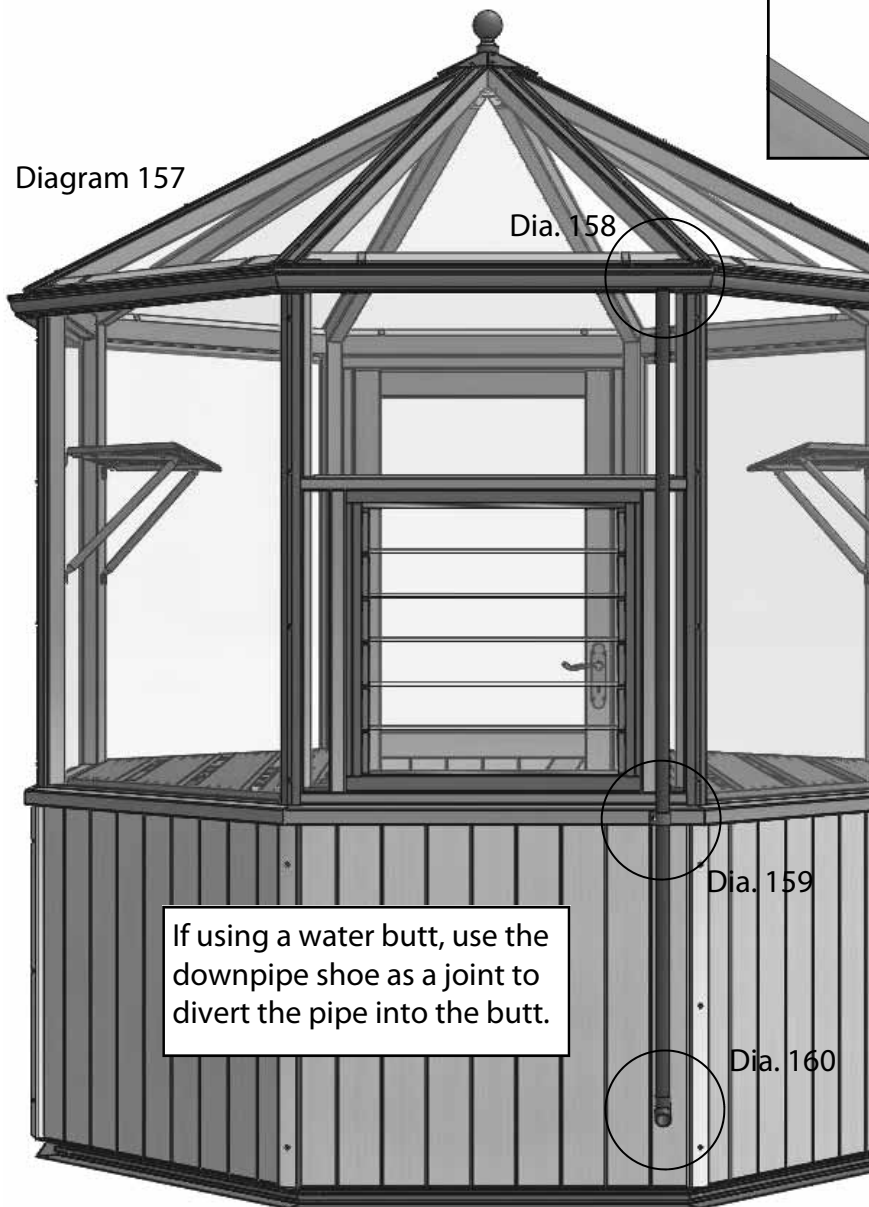


Diagram 157

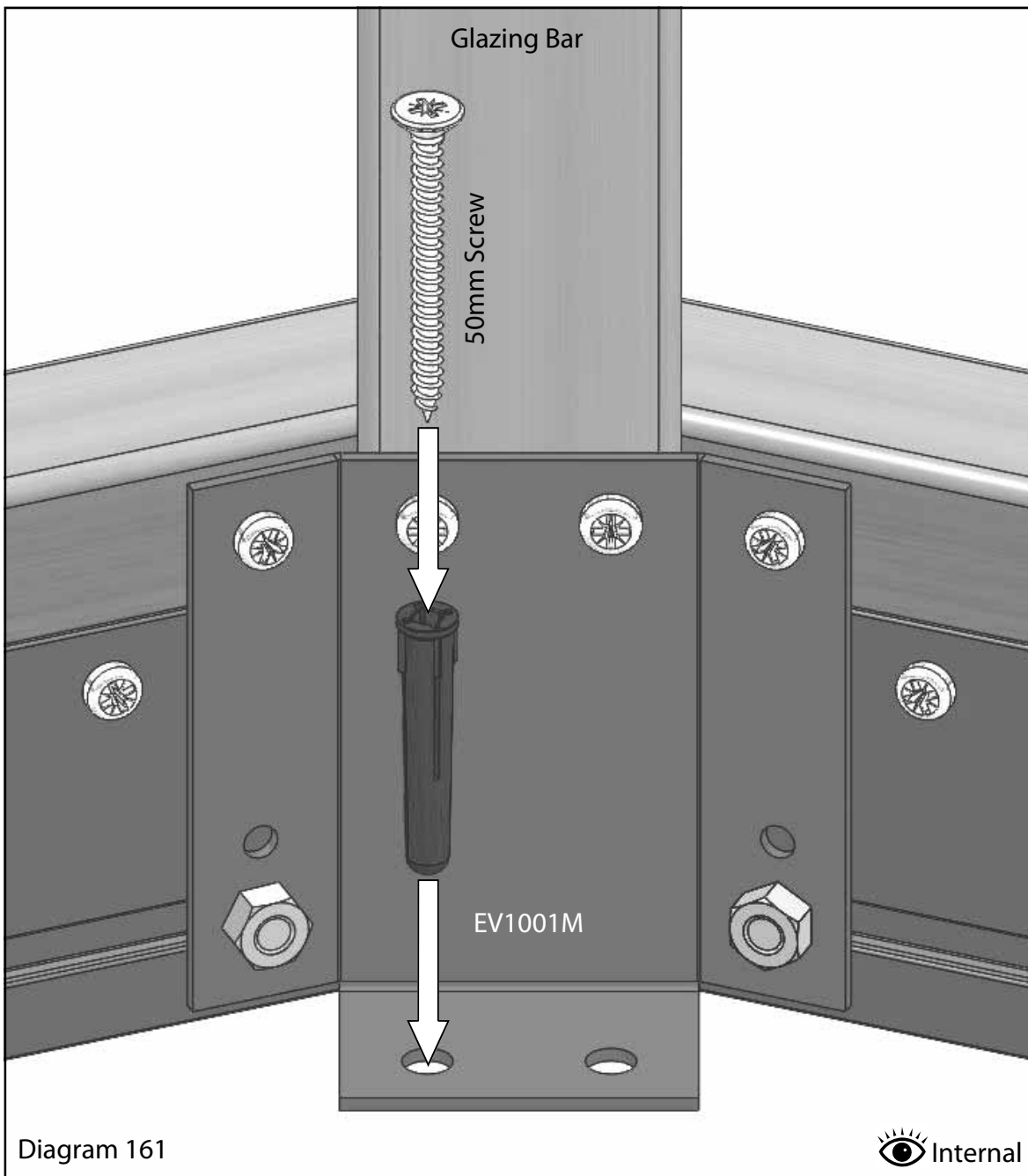
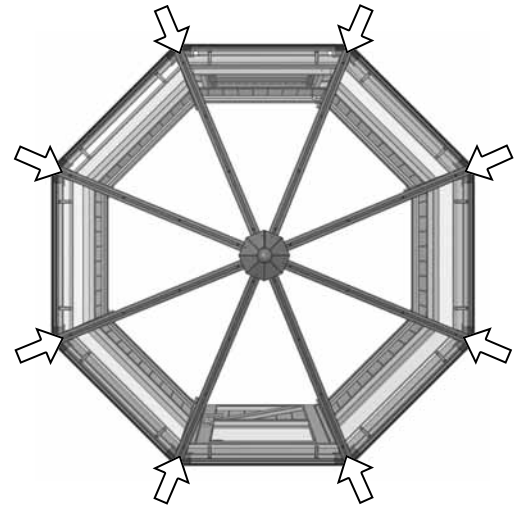


Fixing Down

Do not fix down unless the staging has been installed!

If you are happy with the position of the building and your door opens and closes well you can fix the building down. You need at least one fixing per base bracket (supplied), if the building is exposed to high winds it would be a good idea to use 2 fixings per bracket (not supplied).

Drill through the bracket with a 7mm masonry drill, plug the hole with a brown rawl plug and fix with a 50mm screw (diagram 161).



Parts Lists

EVOCT69	Evo Octagonal Greenhouse 6x9	Quantity
EVOCTBOX69	Evo Octagonal Greenhouse BOX 6x9	1
EVOCTCOM69	Evo Octagonal Greenhouse Components 6x9	1
EVOCTSTA69	Evo Octagonal Greenhouse Staging 6x9	1
EVOCTSHE6	Evo Octagonal Greenhouse Shelving 6x6 and 6x9 End (Single)	2
EVOCTSHE9	Evo Octagonal Greenhouse Shelving 6x9, 9x9 and 9x12 (Single)	1
EVOCTLOUH	Evo Octagonal High Level Louvre	2
EVOCTSDRHH	Evo Octagonal Greenhouse Door in Frame_Single_RH Hinged_Glazed	1
EVOCTSDPAC	Evo Octagonal Greenhouse Single Door Pack - 6x9 & 9x9	1
EVOCTCAPC69	Evo Octagonal Greenhouse Capping 6x9 - Cedar	?
EVOCTCAPA69	Evo Octagonal Greenhouse Capping 6x9 - Aluminium	?
EV1060	Octagonal Panel Assembled EV1060 795mm	8
EV1061	Octagonal Panel Assembled_Narrow Side of Door EV1061 400mm	2
EV1075	Octagonal Vent Assembly EV1075	2
EV795X1050	Evo Octagonal Side Glass	8
EV824X1106X30	Evo Octagonal Roof Glass	6
EV491x1118x90	Evo Octagonal Roof Glass_Half panel	4
EV400x1050	Evo Octagonal Side Glass_Half Panel	2
610x610	TG 610 X 610	2
EV610x469	Evo Octagonal Roof Vent	2
EV610x76	Evo Octagonal Side of Louvre Glass	4
EV795x392	Evo Louvre Make-up Glass	2
EVOCTBOX69 Evo Octagonal Greenhouse BOX 6x9		
EV0313M	Evo Glass Stop	24
EV0950	Octagonal Cill_Angled EV0950 793mm	6
EV0952	Octagonal Cill_Straight_Angled EV0952 800mm	2
EV0953	Octagonal Eaves Bar_Single EV0953 762mm	6
EV0954	Octagonal Eaves Bar_Double EV0954 1573mm	1
EV0956	Octagonal Mid Rail_Single EV0956 843mm	4
EV0957	Octagonal Mid Rail_Double EV0957 1654mm	1
EV0963	Octagonal Ridge Bar 69 EV0963 812mm	2
EV0964	Octagonal Ridge Board 69 EV0964 812mm	2
EV0966	Octagonal Roof Glazing Bar EV0966 1146mm	8
EV0967	Octagonal Roof Glazing Bar_Standard EV0967 1099mm	4
EV0969	Octagonal Side Glazing Bar EV0969 1850mm	6
EV0970	Octagonal Side Glazing Bar_Standard EV0970 1834mm	1
EV0977	Octagonal Ridge Infil 69 EV0977 862mm	1
EV0979	Octagonal Panel Capping EV0979 727mm	6
EV0985	Octagonal Standard Panel Capping EV0985 727mm	1
EVPACVENT	Vent pack bundle for Evolution vent	2
EVOCTSMA01	Evo Octagonal Greenhouse Smalls - 6x6 & 6 x 9	1
D211	Downpipe	1
EVOCTCAPC69 Evo Octagonal Greenhouse Capping 6x9 - Cedar		
EV0980	Octagonal Side Capping Cdr EV0980 1028mm	8
EV0981	Octagonal Standard Side Capping Cdr EV0981 1028mm	3
EV0982	Octagonal Roof Capping Cdr EV0982 1180mm	8
EV0983	Octagonal Standard Roof Capping Cdr EV0983 1110mm	4
EV1110	Octagonal Lantern Top_Vent Capping EV1110 455mm	4

EVOCTCAPA69	Evo Octagonal Greenhouse Capping 6x9 - Aluminium	Quantity
EV0990M	Octagonal Side Capping EV0990M 1028mm **MOSS**	8
EV0991M	Octagonal Standard Side Capping EV0991M 1028mm **MOSS**	3
EV0992M	Octagonal Roof Capping EV0992M 1180mm **MOSS**	8
EV0993M	Octagonal Standard Roof Capping EV0993M 1110mm **MOSS**	4
EV1106M	Octagonal Lantern Top_Vent Capping EV1106M 455mm **MOSS**	4
EVOCTSDPAC		
Evo Octagonal Greenhouse Single Door Pack - 6x9 & 9x9		
EV0610	SATIN CHROME DOOR HANDLE SET WITH STAINLESS STEEL SCREWS	1
EV0956	Oct Mid Rail Single EV0956 843mm	2
EV0961	Octagonal Mid Rail_Left of Door_Square End EV0961 458mm	1
EV0962	Octagonal Mid Rail_Right of Door_Square End EV0962 458mm	1
EV0965	Oct Eaves Bar Double_Central Door EV0965 1573mm	1
EV0969	Octagonal Side Glazing Bar EV0969 1850mm	2
EV0970	Octagonal Side Glazing Bar_Standard EV0970 1834mm	2
EV0979	Octagonal Panel Capping EV0979 727mm	2
EV0985	Octagonal Standard Panel Capping EV0985 727mm	2
EV1035	Octagonal Cill_Short_Straight_Angled EV1035 434mm	2
EVOCTCOM69		
Evo Octagonal Greenhouse Components 6x9		
EV1001M	Octagonal Base Bracket EV1001M **MOSS**	8
EV1004M	Octagonal Ridge Bracket 69 EV1004M **MOSS**	2
EV1011M	Octagonal Cowl 69_Assembly EV1011M **MOSS**	1
EV1014M	Octagonal Base_Single EV1014M 824mm **MOSS**	6
EV1015M	Octagonal Base_Double EV1015M 1634mm **MOSS**	1
EV1017M	Octagonal Base - Next to door L EV1017M 448mm **MOSS**	1
EV1018M	Octagonal Base - Next to door R EV1018M 448mm **MOSS**	1
EV1025M	Octagonal Finial Ball EV1025M 99.5mm **MOSS**	2
EV1031M	Octagonal Gutter_Single EV1031M 872mm **MOSS**	5
EV1032M	Octagonal Gutter_Single - With Outlets EV1032M 872mm **MOSS**	1
EV1033M	Octagonal Gutter_Double EV1033M 1683mm **MOSS**	2
EV1070	Octagonal Gutter Corner Insert EV1070	8
EVOCTLOUH		
Evo Octagonal High Level Louvre		
EV0325	Evolution louvre ***MOSS*** EV0325	1
EV0972	Octagonal High Level Louvre Top Rail EV0972 776mm	1
EV0973	Octagonal High Level Louvre Side Rail EV0973 628mm	2
EV0974	Octagonal High level Louvre Bottom Rail EV0974 776mm	1
EV0333	50mm Csk SS EV0333	4
EV0334	80mm Csk SS EV0334	4
EVOCTLOUL		
Evo Octagonal Low Level Louvre		
EV0325	Evolution louvre ***MOSS*** EV0325	1
EV0975	Octagonal Low Level Louvre Side Rail LH EV0975 727mm	1
EV0976	Octagonal Low Level Louvre Side Rail RH EV0976 727mm	1
EV1059	Octagonal TnG Board_Louvre EV1059 732mm	2
EV0333	50mm Csk SS EV0333	2

EVOCTSTA69	Evo Octagonal Greenhouse Staging 6x9	Quantity
HE300M	Base Bracket **MOSS**	11
EV0350M	Atlas staging tubular support 02-2210 **MOSS**	7
EV1111M	Evo Atlas Octagonal Staging Slat_66-68_1 EV1111M 1878mm **MOSS**	2
EV1112M	Evo Atlas Octagonal Staging Slat_66-68_2 EV1112M 1586mm **MOSS**	2
EV1113M	Evo Atlas Octagonal Staging Slat_66-68_3 EV1113M 1294mm **MOSS**	2
EV1114M	Evo Atlas Octagonal Staging Slat_66-68_4 EV1114M 1002mm **MOSS**	2
EV1116M	Evo Atlas Octagonal Staging Slat_68_Infill EV1116M 1543mm **MOSS**	4
EV1120M	Evo Atlas Octagonal Staging Arm_Internal End EV1120M 575mm **MOSS**	4
EV1121M	Evo Atlas Octagonal Staging Arm_Outer End_LH EV1121M 790mm **MOSS**	2
EV1122M	Evo Atlas Octagonal Staging Arm_Outer End_RH EV1122M 790mm **MOSS**	2
EV1123M	Evo Atlas Octagonal Staging Arm_Infill EV1123M 558mm **MOSS**	3
EV1124M	Evo Atlas Octagonal Staging Support Bracket EV1124M 107.75mm **MOSS**	2
EV1125M	Evo Atlas Octagonal Staging Bracket_Middle arm EV1125M **MOSS**	4
HE576	HE576 Stainless Bolt, square head - 10mm M6 -	62
HE579	HE579 Nut - M6 -Stainless	62
EV0326	25mm Pan Poz No.5 SS EV0326	30
EVOCTSHE6 Evo Octagonal Greenhouse Shelving 6x6 and 6x9 End (Single)		
HE300M	Base Bracket **MOSS**	2
EV0348M	Atlas shelf tubular support 02-2211 MOSS	2
EV1113M	Evo Atlas Octagonal Staging Slat_66-68_3 EV1113M 1294mm **MOSS**	1
EV1114M	Evo Atlas Octagonal Staging Slat_66-68_4 EV1114M 1002mm **MOSS**	1
EV1126M	Evo Atlas Octagonal Shelving Arm_Outer End_LH EV1126M 377mm **MOSS**	1
EV1127M	Evo Atlas Octagonal Shelving Arm_Outer End_RH EV1127M 377mm **MOSS**	1
EV1128M	Evo Atlas Octagonal Shelving Arm_Internal End EV1128M 259mm **MOSS**	2
HE576	HE576 Stainless Bolt, square head - 10mm M6 -	14
HE579	HE579 Nut - M6 -Stainless	14
EV0326	25mm Pan Poz No.5 SS EV0326	5
EVOCTSMA01 Evo Octagonal Greenhouse Smalls - 6x6 & 6 x 9		
EV0328	19mm Pan Poz No.4 SS EV0328	30
EV0329	13mm x 4 Pan Poz Self -drillingA2 stainless screw EV0329	4
EV0330	25mm Csk SS EV0330	10
EV0331	25mm Pan Poz SS EV0331	75
EV0332	40mm Pan Poz SS EV0332	185
EV0333	50mm Csk SS EV0333	45
EV0334	80mm Csk SS EV0334	21
EV0338	40mm Csk SS EV0338	34
EV0364	35mm Csk SS EV0364	32
D244	M6 Alum Nut x 20 F5006	1
D267	10mm Alu bolt M6 - bag of 10	2
HE588	Bolt, square head - 15mm M6	2
D207	45 degree Downpipe Shoe	1
D201	Outlet Stub	1
D214	Blanking plug	1
EV0740M	Downpipe clip	1
02-1787	Brown Rawl Plug	10
D119	Silicone Clear 80ml	1
D174M	Base bracket D174 ***MOSS***	3

Helpline 0116 267 7091

www.birstall.com alton@birstall.com