

EVOLUTION OCTAGONAL



Cedar Greenhouses

6x6

Instruction Manual



Made in the United Kingdom

Please read all instructions before proceeding

09/20



Contents:	Section	Page
Introduction	-	3
Base Preparation	1	4
Overview	2	5
Base Assembly	3	6
Side Assembly	4	7-16
Door Installation	5	17
Fix to Aluminium Base	6	18
Board Installation	7	19-21
Roof Assembly	8	22-24
Louvre Assembly	9	25-26
Louvre Frame Assembly	10	27-28
Louvre Positions	11	29-31
Glazing (part 1)	12	32-36
Gutter Installation	13	37-41
Glazing (part 2)	14	42-44
Roof Cowl and Finial	15	45
Staging Installation	16	46-52
High Level Shelf Installation	17	53-55
Downpipe Installation	18	56
Fixing Down	19	57
Low Level Louvre (Optional)	20	58
Auto Louvre Installation (Optional)	21	59-60
Packing Lists		61-63

Introduction

Thank you for purchasing your new Alton greenhouse. We recommend you familiarise yourself with the instructions and read all safety information before you commence assembly.

HELPLINE: 0116 267 7091

Safety Warning

- Glass, aluminium and timber can potentially cause injury. Please ensure you wear protective goggles, gloves, headgear and suitable footwear when assembling and glazing the building.
- Please remember that glass is fragile and should be handled with extreme care. Always clear up and dispose of any breakages immediately.
- Do not assemble the greenhouse in high winds.
- DIY assembly - For safety reasons and ease of assembly, we recommend that this greenhouse is assembled by a minimum of two people.
- Please clear all lying snow from the greenhouse roof as it can cause the roof to buckle or collapse.

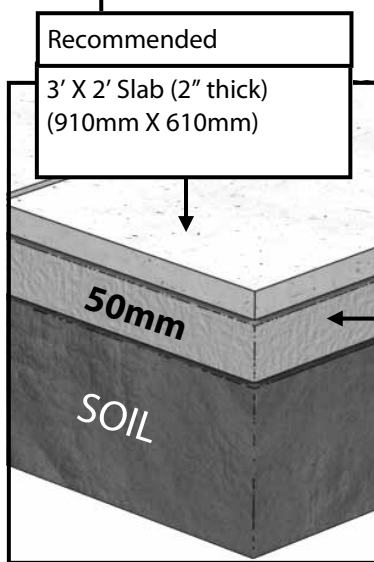
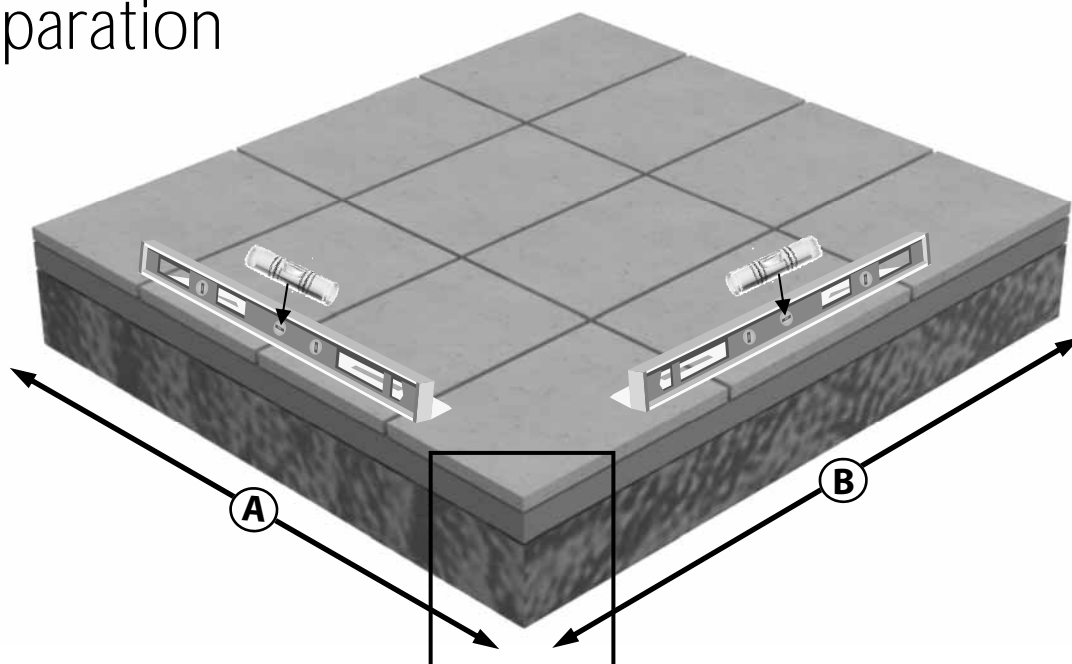
Site Preparation

- When selecting a site for your greenhouse, it is vital that you choose as flat and level an area as possible.
- A concrete or slabbed base will provide the most solid foundation for your greenhouse. A slabbed base would be our preferred choice as this helps with drainage.
- Avoid placing your greenhouse under trees or in other vulnerable locations.
- To minimise the risk of wind damage, try to select as sheltered a site as possible, e.g. beside a hedgerow or garden fence.

Additional Considerations

- Please bear in mind that assembling your greenhouse can be time consuming. You may need to spread the construction over two or more days. We recommend that you avoid leaving the building partially glazed. If you ever have to leave your greenhouse half assembled and not anchored down weigh it down with slabs or bags of sand to stop the wind moving it.
- You will find it helpful to prepare a large, clean and clear area in which to work in, a garage floor or flat lawn area is ideal.
- If you have arranged for someone to install your greenhouse for you please check that all components are included and are correct before your fitter comes on site. Most parts are numbered and can be identified by a stamp or removable label. Alternatively, the components can be identified by lengths detailed in the packing list in your main cardboard box.
- Remember this is a natural timber product. Cedarwood can vary from white through shades of pink to dark brown colours, this natural variation is a characteristic of cedar. The wood will soak up some water to start with and some staining may occur. This will settle down over time and the greenhouse will really blend with its surroundings. If you want to avoid this and give your greenhouse a more permanent finish you could apply an oil or spirit based product (it would be best to do this before glazing!).

Base Preparation



Slab Base Size (Recommended)
Note: The base should always be larger than your building.
The measurements given in 'A' and 'B' should only be used as a guide.

Greenhouse Width	Greenhouse Length	A (mm)	B (mm)
6'6" - 1989mm	6'6" - 1989mm	2400	2700

It is necessary to leave sufficient working room around your greenhouse when you're putting it up and also to allow for the possible need to replace a piece of glass in the future. If possible try and leave a space of 2ft/610mm around the greenhouse.

Locate the greenhouse where there is maximum amount of sunlight and avoid if possible any shade from trees, fences or other buildings. Over-hanging branches can be a particular nuisance and should be avoided.

Choose a site where the greenhouse is relatively easy to get to and convenient to bring water to and possibly a supply of electricity.

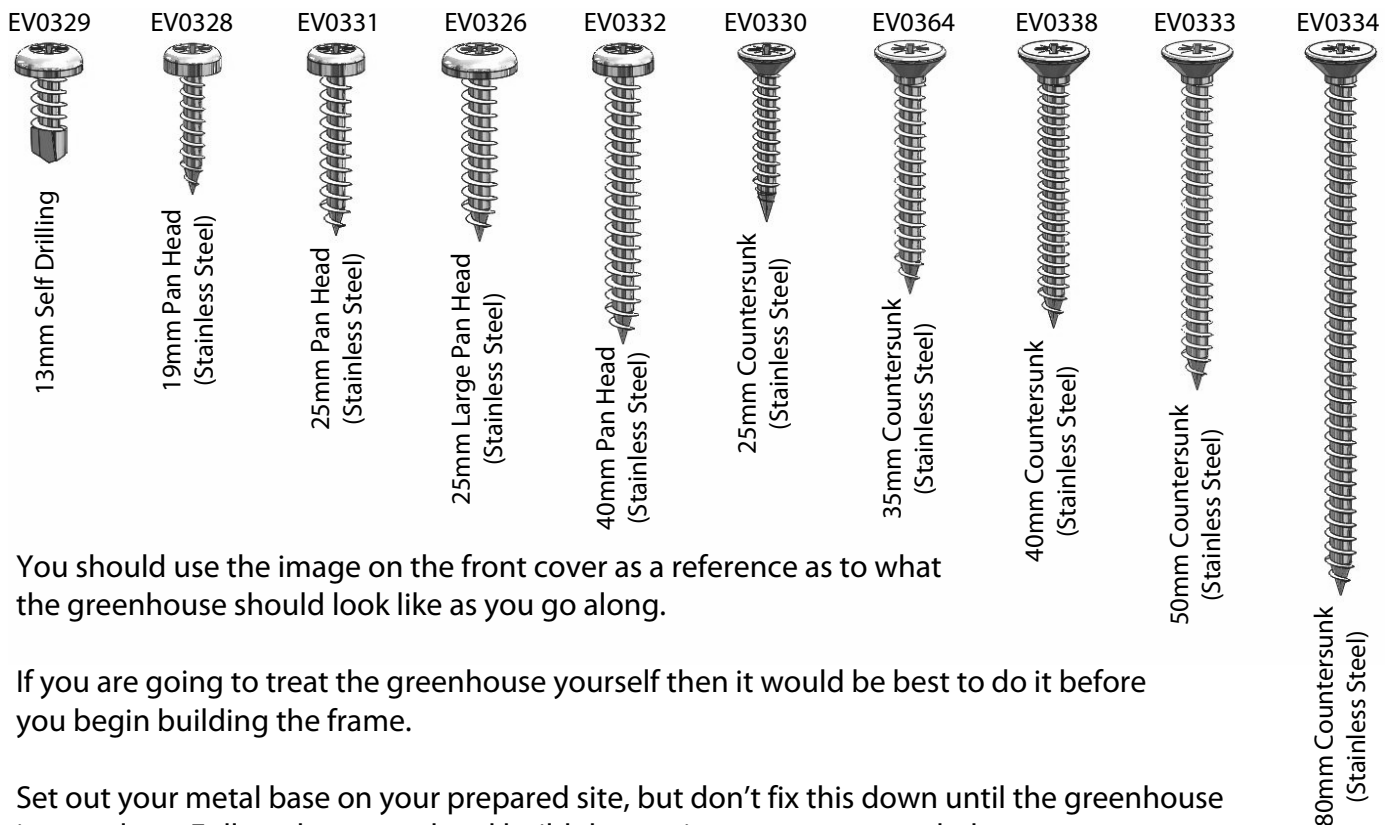
Finally, and most importantly, choose a site where your Alton Greenhouse will look right so that it will complement your garden.

Overview

To build your new greenhouse you will need the following tools:

- | | |
|-----------------|--|
| Spirit Level | Pozidrive No. 2 Screwdriver Bit |
| Pencil | Cordless Screwdriver (2 would be ideal, 1 to drill and 1 to screw) |
| 4mm Drill Bit | Hammer |
| Hammer Drill | Step ladders |
| 7mm Masonry Bit | Tape Measure |

There are 9 types of screws used in the construction of the greenhouse. These are as follows:



You should use the image on the front cover as a reference as to what the greenhouse should look like as you go along.

If you are going to treat the greenhouse yourself then it would be best to do it before you begin building the frame.

Set out your metal base on your prepared site, but don't fix this down until the greenhouse is complete. Follow the manual and build the sections as recommended.

When screwing through one piece of timber into another it is always recommended to pre-drill the first piece. This will prevent the timber from splitting which could weaken the structure.

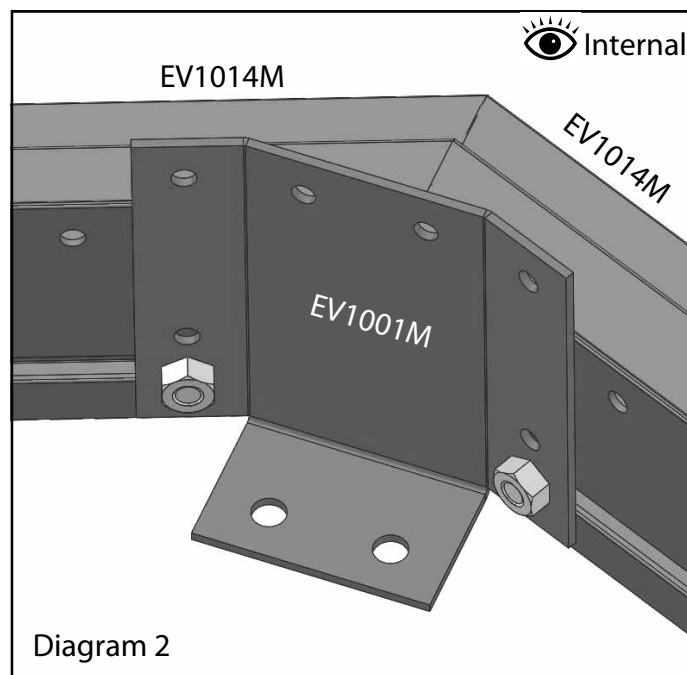
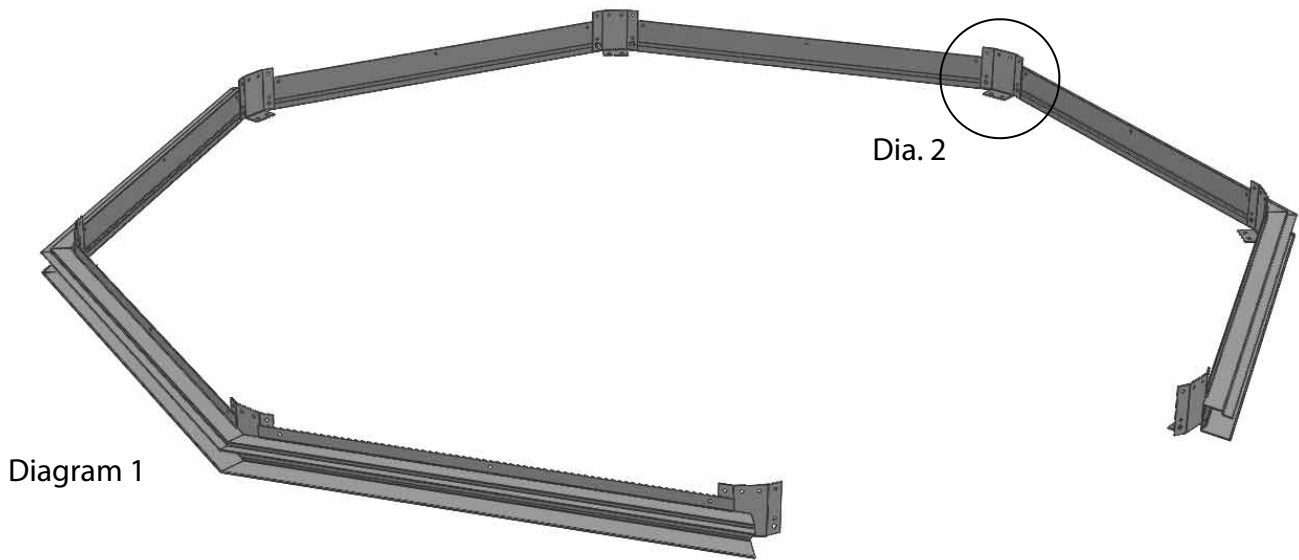
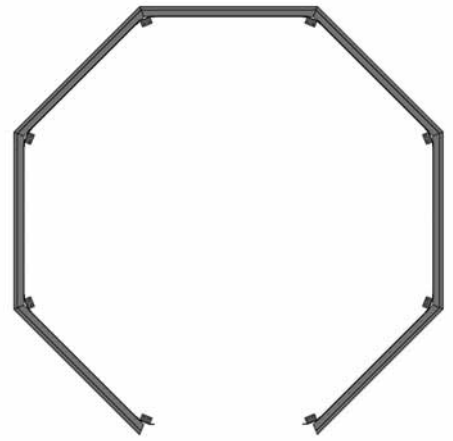
Glazing the structure is very simple but be very careful of the edges of the glass as the pane will break into tiny pieces if you catch an edge on a hard surface such as concrete. You should also wear suitable gloves when handling the glass (this also helps to keep it clean).

Option of gluing joints. This is not required for strength but you may do it if you wish. However bear in mind if you ever intend to move or adapt the greenhouse in the future this would make it very difficult. The best glue for this would be Poly Urethane Wood Adhesive. Take care when applying this, you only need a very small amount as the glue expands to fill the joint. If you use too much it may seep out of the joint and could be unsightly! Try a test piece before you start.

Read through the rest of this manual before starting, you are less likely to miss something doing this and you will have a better understanding of how it all works.

Base Assembly

Lay out your aluminium base sections as the diagram shows leaving the gap for the door opening in the position you have chosen for your door. The base brackets (EV1001M) attach to the base sections using the M6 bolts supplied. The bolts slot into the bolt channel in the aluminium base and fix through the largest hole in the base bracket.



Side Assembly

Start by attaching the cast eaves brackets (EV1000M) to four eaves rails (EV0953). First of all drill pilot holes through the eaves bracket into the end of the eaves bar. Be careful not to drill all the way through the rail! Once the bracket is firmly in position fix with the 40mm countersunk (CSK) screws (diagrams 5 and 6).

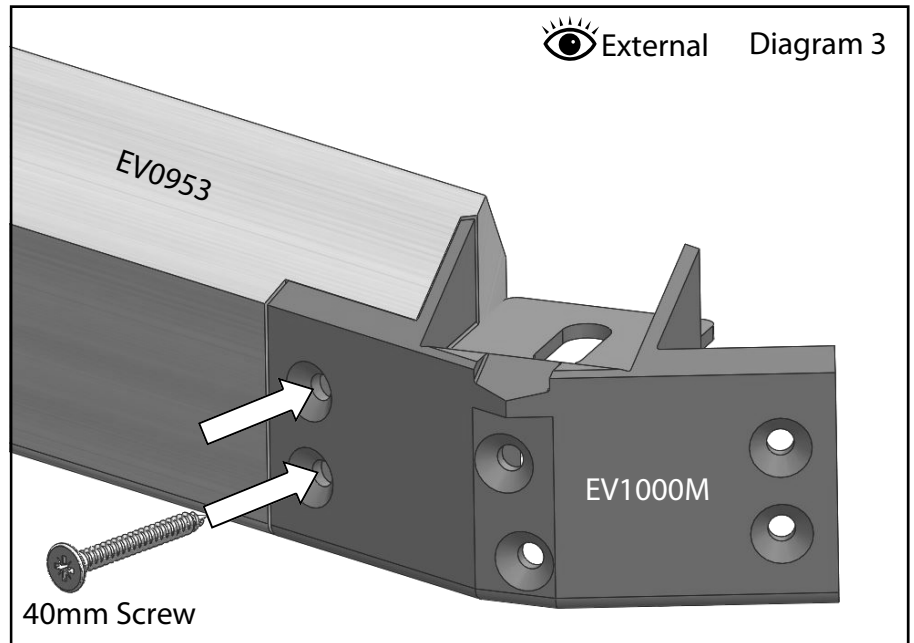


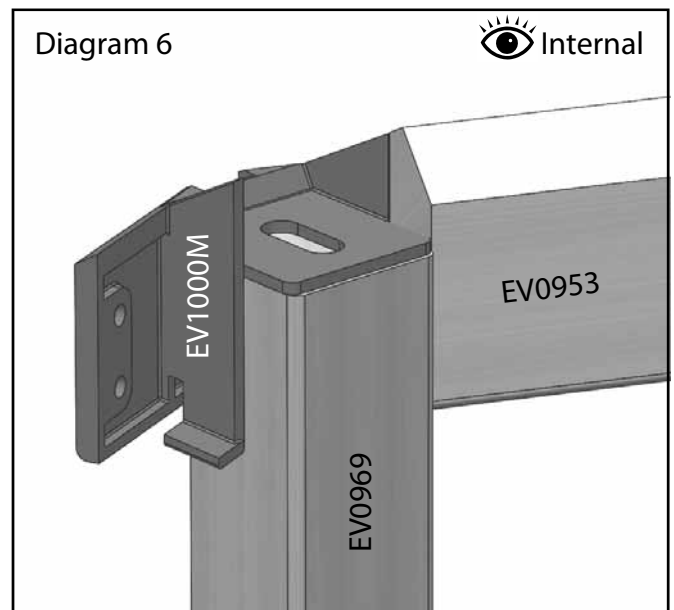
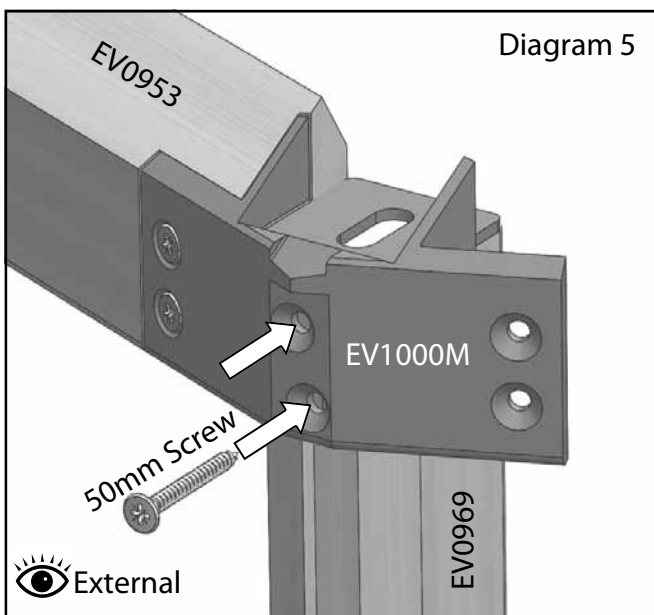
Diagram 4

X 4

Dia. 3



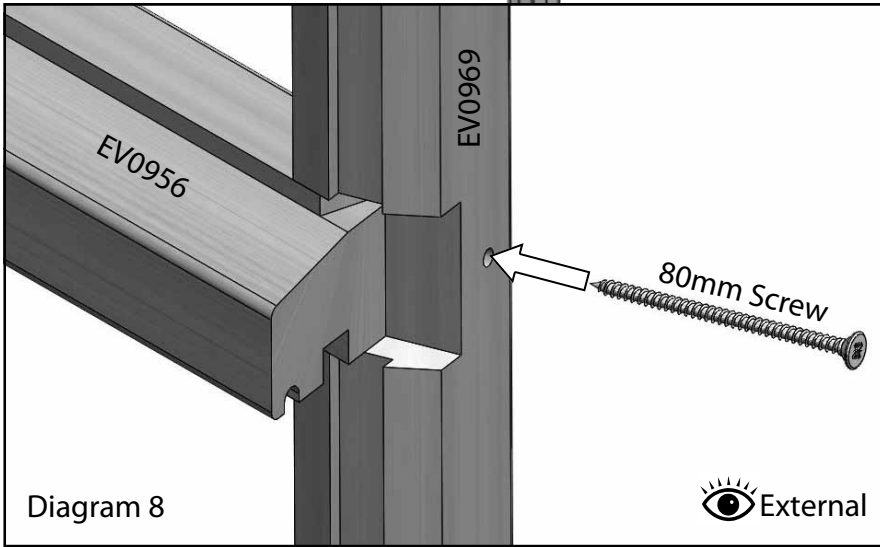
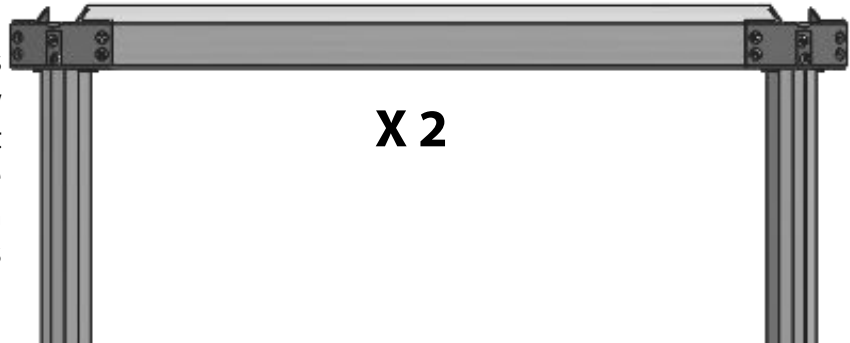
Once you have attached all the cast eaves brackets you can fix two standard side glazing bars to two of the eaves rails, see diagrams 5,6,7. Make sure the glazing bar is tight into the bracket (diagram 6), drill pilot holes and fix using 50mm CSK screws. Don't over tighten these screws as it may make it difficult to glaze later in the build.



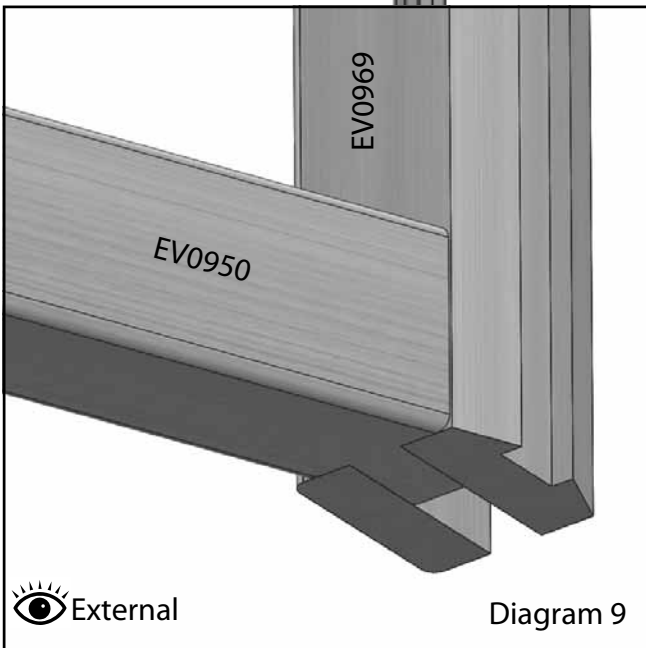
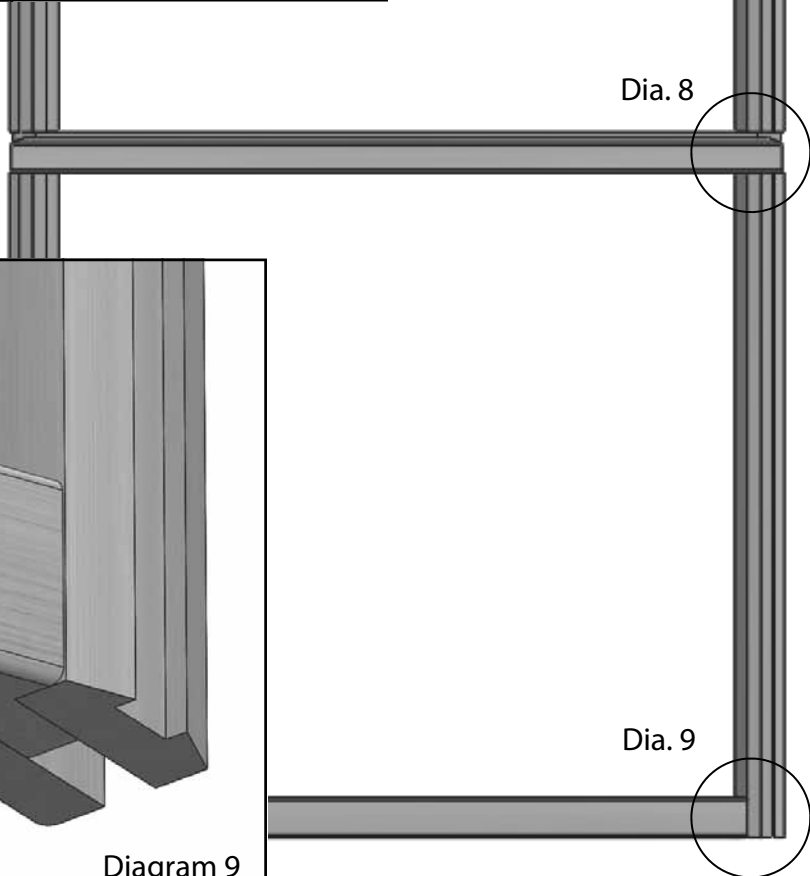
Side Assembly Standard

Diagram 7

With the side glazing bars attached (diagram 7) you can now insert the mid rail. Drill a pilot hole through the side of the glazing bar and fix with an 80mm screw (diagram 8). Fix both ends of the mid rail like this.



Next slot the cill into place. This is not fixed at this stage, it is secured later in the build (diagram 9). Assemble **two** identical frames like this.

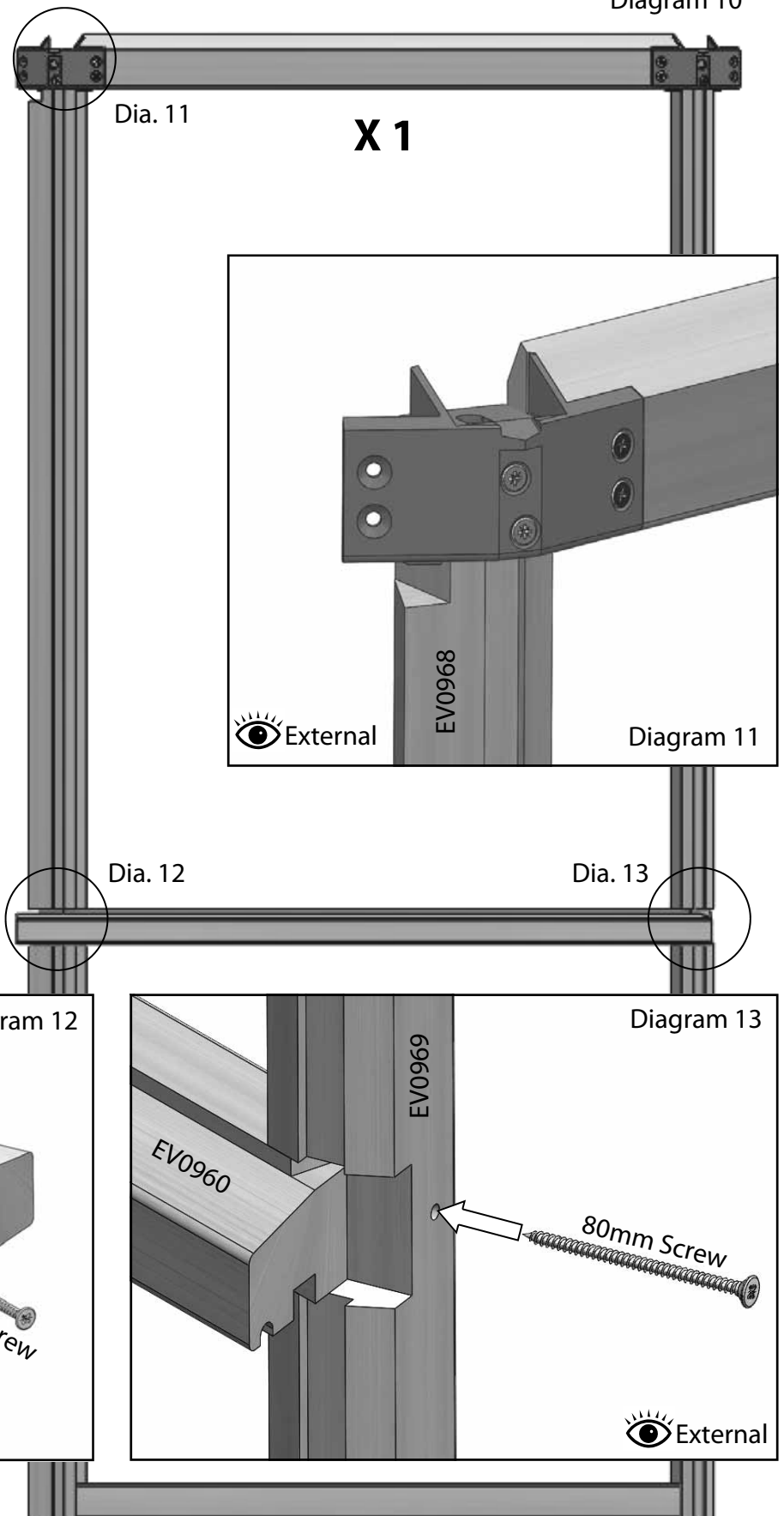


Side Assembly Right of Door

Diagram 10

You now need to build the side assemblies either side of the door. First build the assembly to the right of the door, take an eaves bar with the cast eaves brackets attached and fix a standard side glazing bar in the right hand eaves bracket. Now take the glazing bar with a wedge shape on the left side (EV0968) and fix that to the left hand eaves bracket (diagram 11). Again drill pilot holes and fix using 50mm screws. Remember not to over tighten these screws.

With the side glazing bars attached you can now insert the mid rail. This is slightly different to the other mid rail as it is shaped to be positioned next to the door (EV0960). Drill a pilot hole through the side of the glazing bars and fix with an 80mm screw (diagram 12 & 13). As before just slot the cill section (EV0950) into place without any fixings (diagram 9).



Side Assembly Left of Door

Now build the assembly to the left of the door, take the last eaves bar with the cast eaves brackets attached and fix a standard side glazing bar in the left hand eaves bracket. Now use the glazing bar with a wedge shape on the right side (EV0971) and fix that to the right hand eaves bracket (diagram 15). Again drill pilot holes and fix using 50mm screws. Remember not to over tighten these screws as it may make it difficult to glaze later in the build.

Now insert the mid rail. This is also shaped to go next to the door (Diagram 17). Drill a pilot hole through the side of the glazing bars and fix with an 80mm screw (diagram 16 & 17).

Again, just slot the cill section (EV0950) into place without any fixings (diagram 9).

Diagram 14

Dia. 15

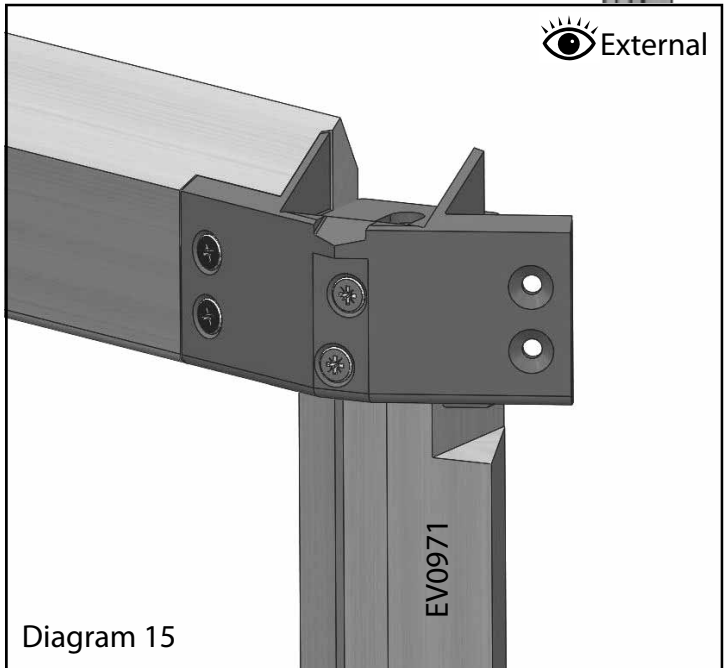
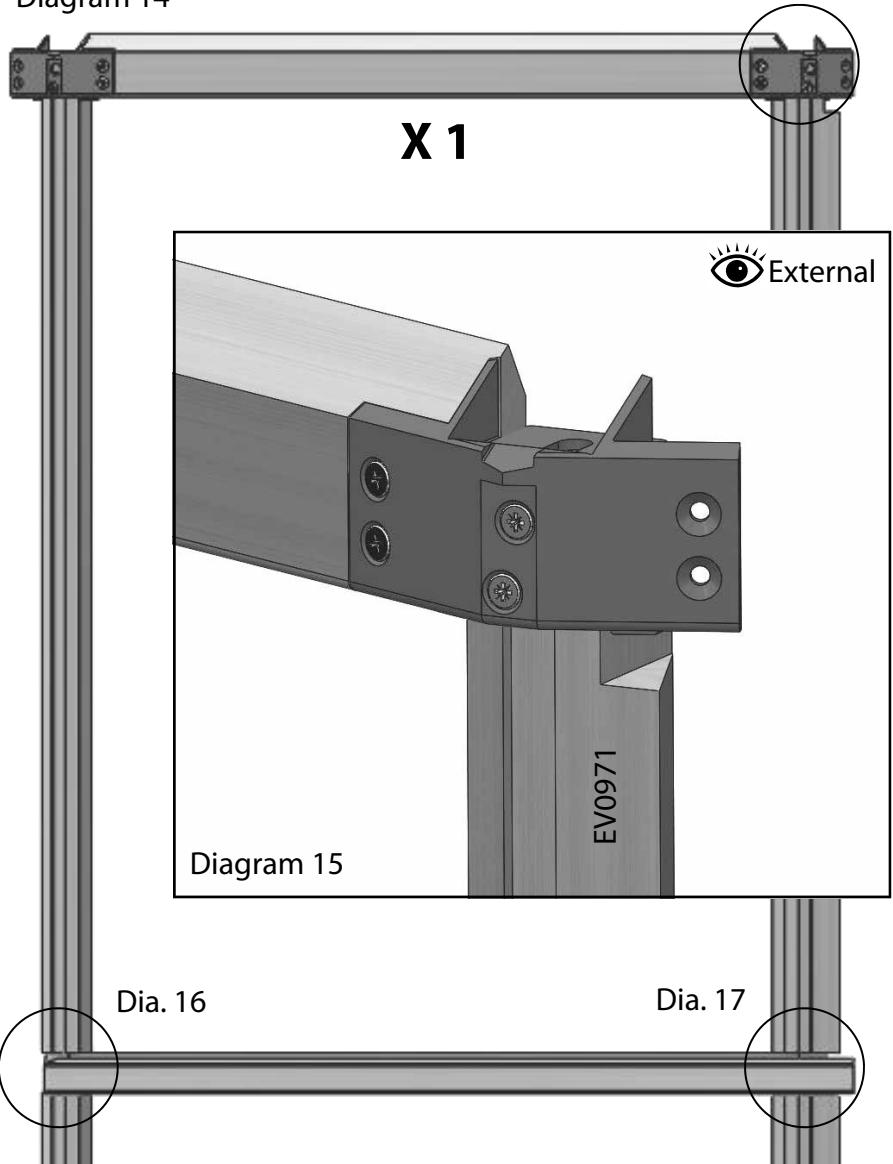


Diagram 15

Dia. 16

Dia. 17

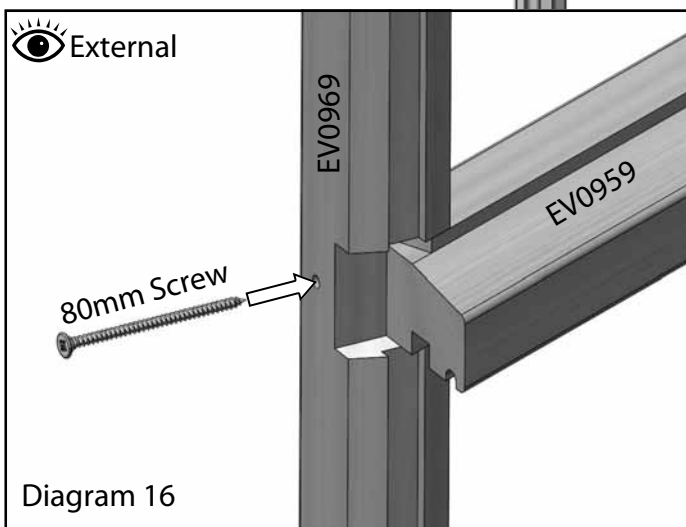


Diagram 16

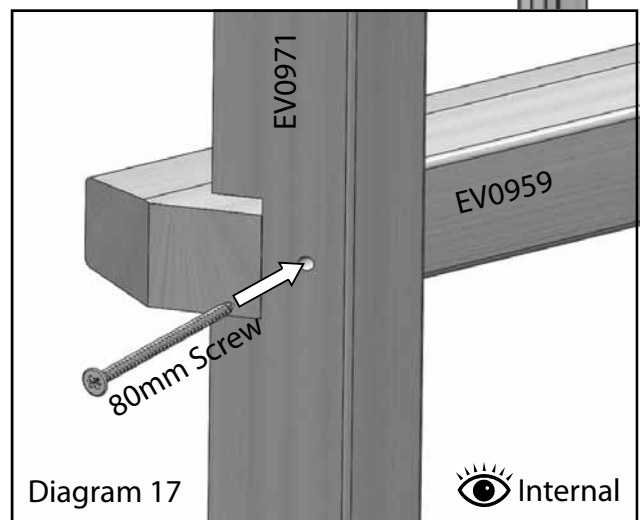


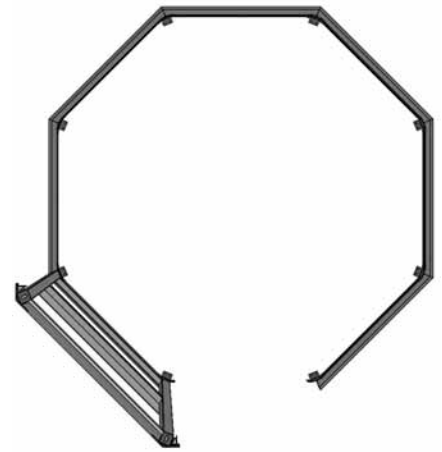
Diagram 17

Side Assembly

Now you have four side frames assembled you can start assembling the greenhouse sides on the aluminium base. Start with the side assembly to the left of the door, position this on the base and either ask a helper to hold it in place or secure it to a step ladder.

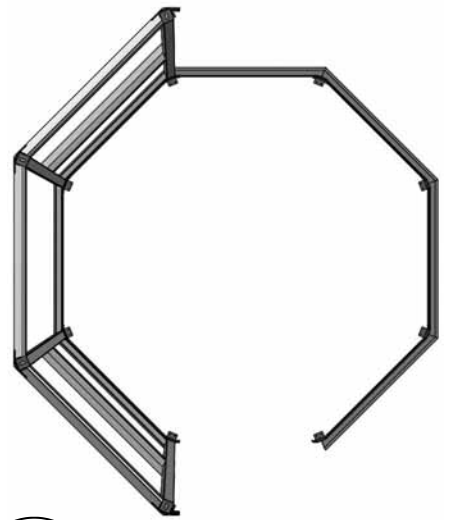
With this in place you will then need to slot a cill section (EV0950) in next to it ready for the next side frame.

Do **NOT** fix any frames or cills to the aluminium base, this is done after the door installation on page 18.



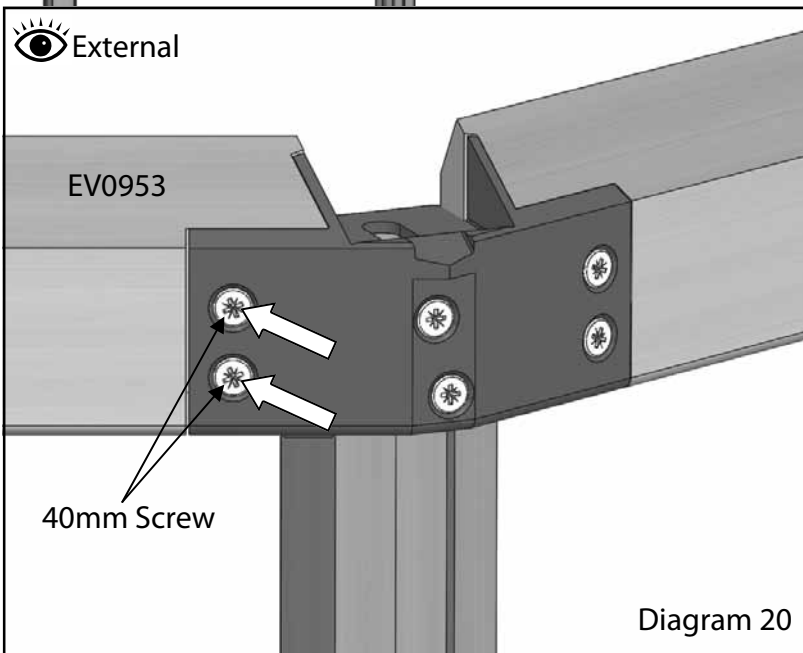
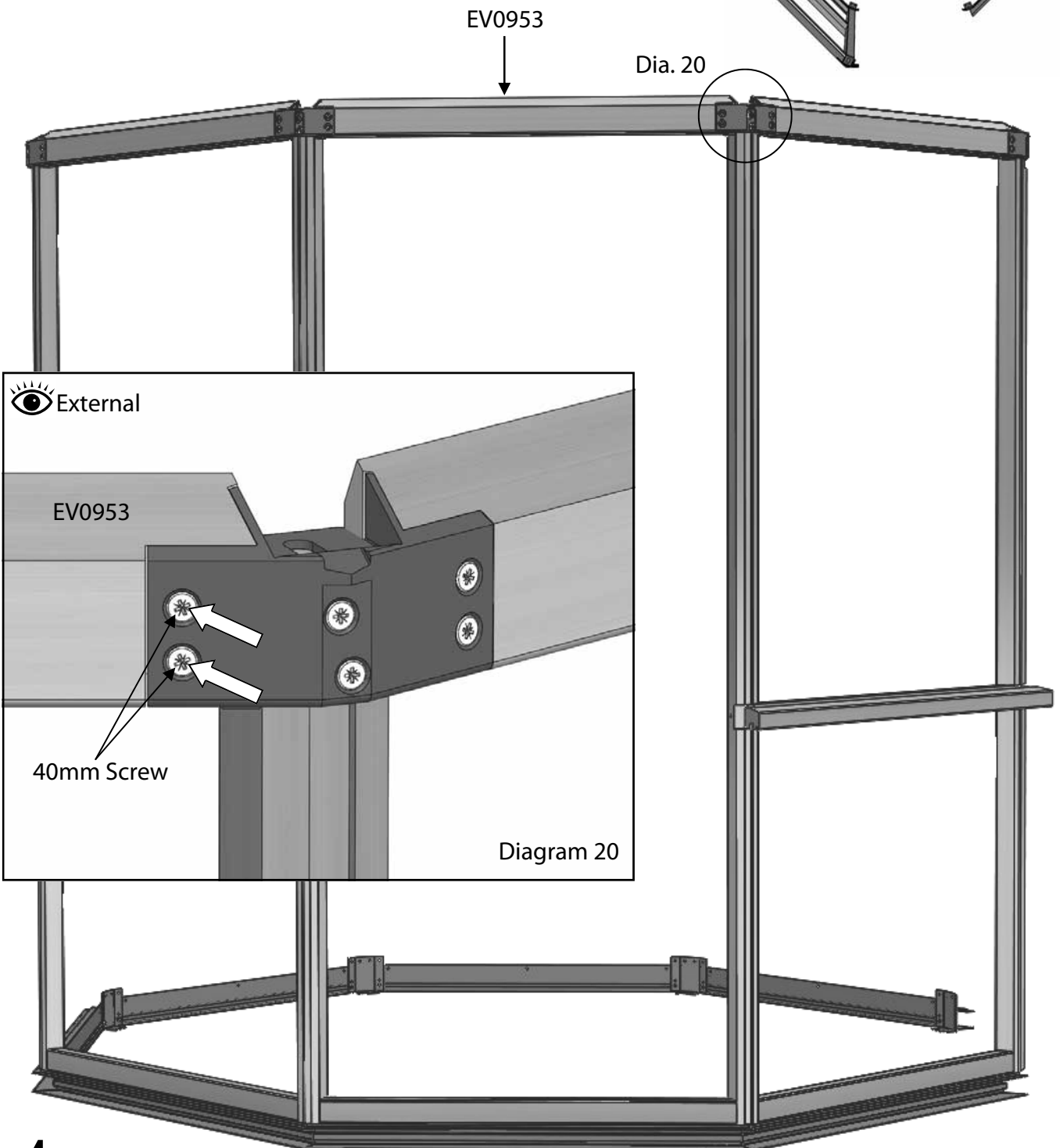
Side Assembly

Add one of the two standard frames next, you can then slot an eaves rail (EV0953) into place. Remember to drill pilot holes and then fix with 40mm screws (diagram 20).



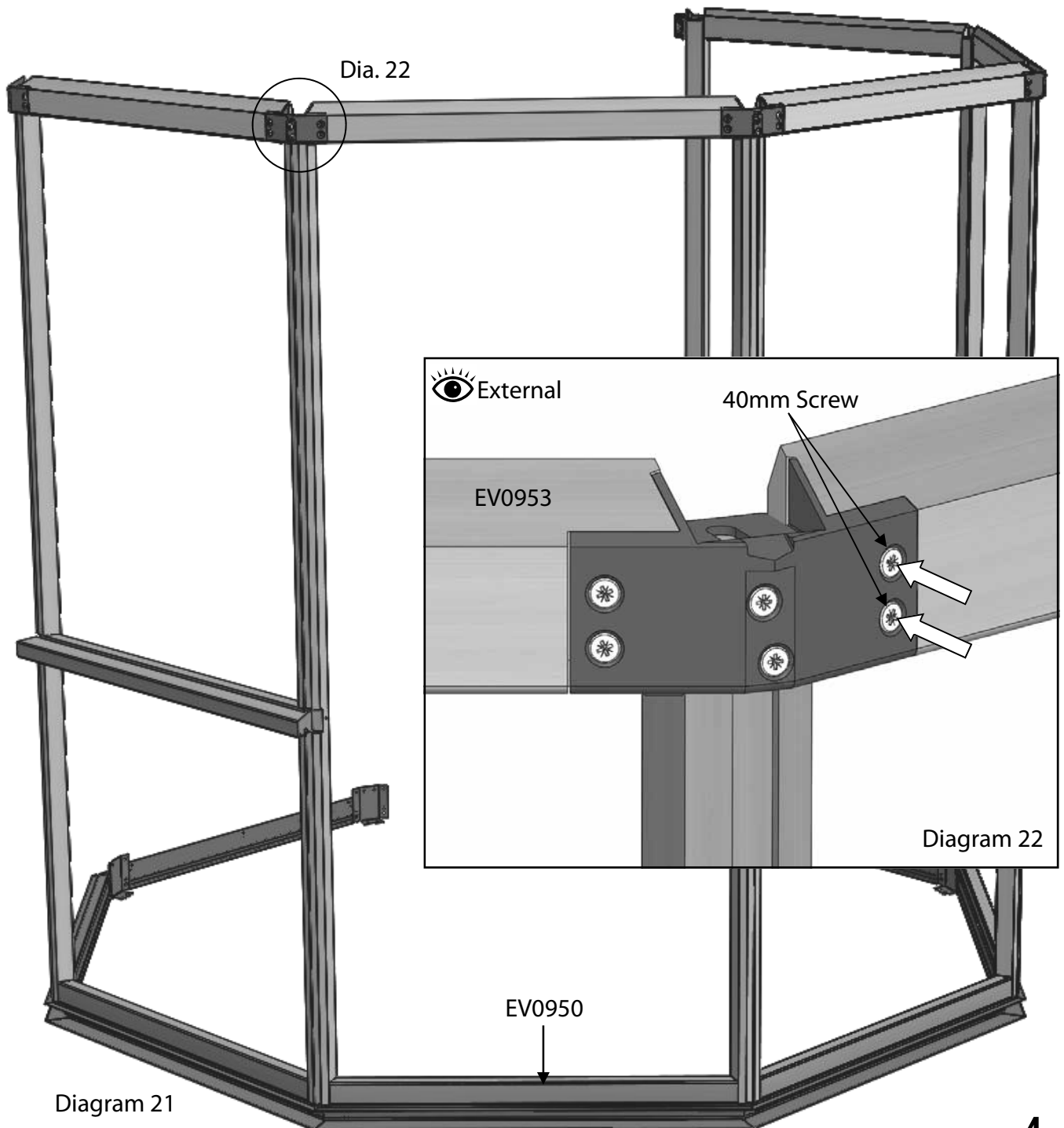
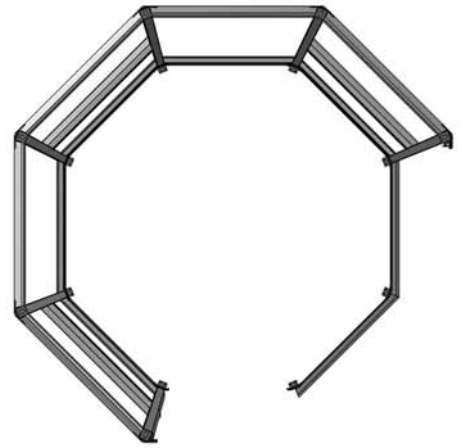
EV0953

Dia. 20



Side Assembly

Slot another cill section (EV0950) into place followed by the next standard side frame. Now slot the next eaves rail (EV0953) into place. Drill the pilot holes and then fix with 40mm screws (diagram 22).



Side Assembly

Slot the last cill section into place and position the final side frame to the right of the door opening. With this in place you can now fit the two remaining eaves rails. Drilling and fixing them with 40mm screws.

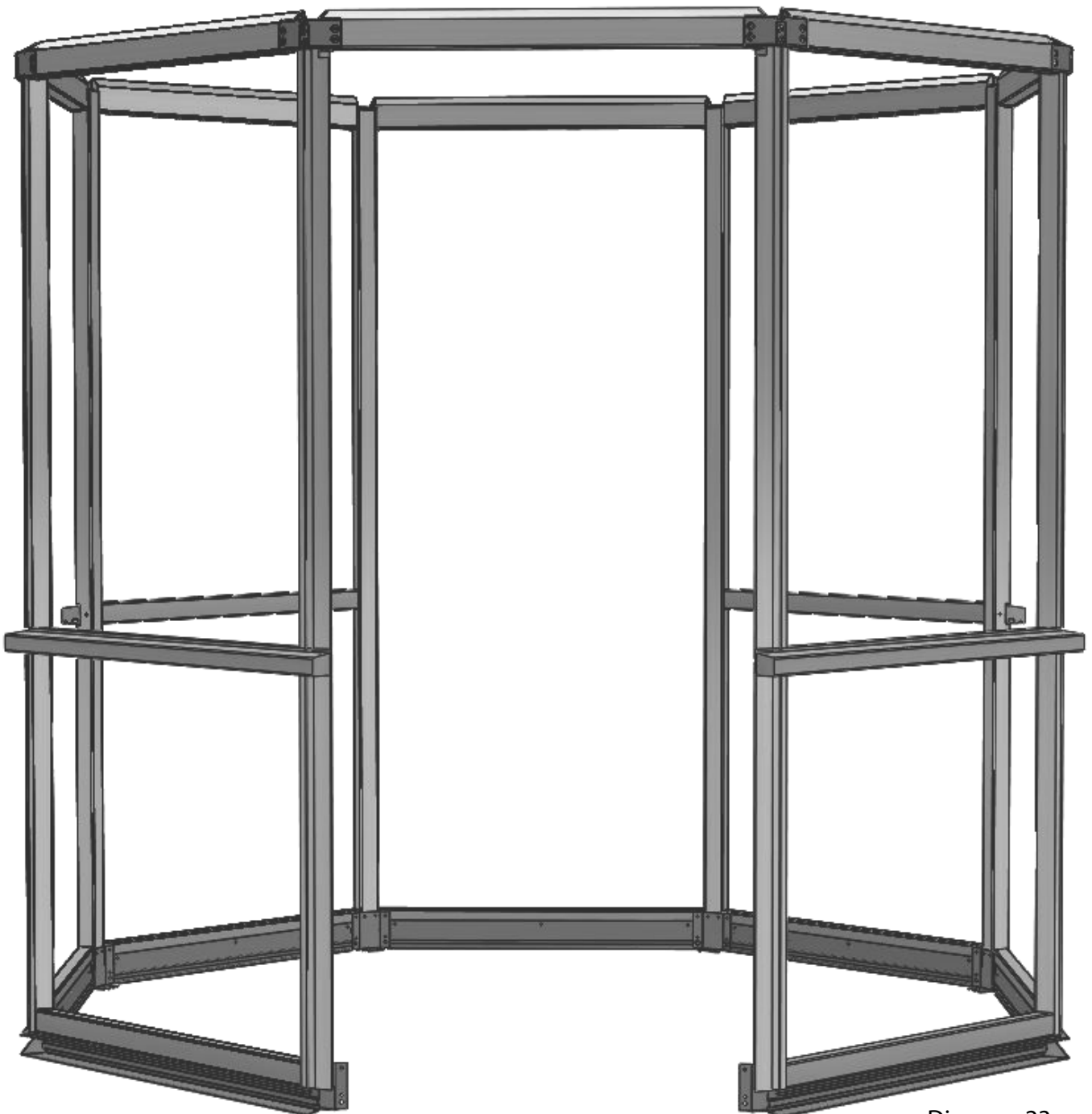
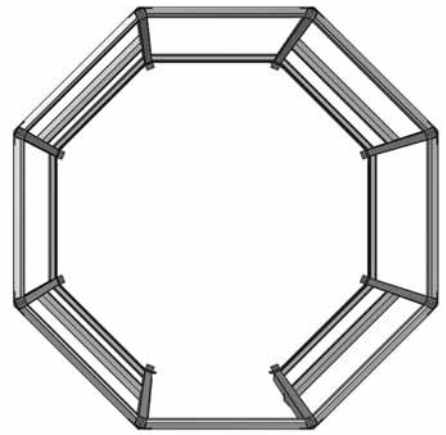


Diagram 23

Side Assembly

Now the mid rails can be fitted with 40mm Pan head screws, note that the screw positions on the mid rail brackets (EV0999M) are different in diagram 25 and 26. This is to leave space for the staging brackets.

There is also an order to inserting the screws, follow the order on the diagrams as it makes installing them a little easier. 1 and 2 go into a fixed mid rail that was part of a side frame, 3 and 4 go into the loose mid rail and 5 always picks up the loose mid rail through the tenon.

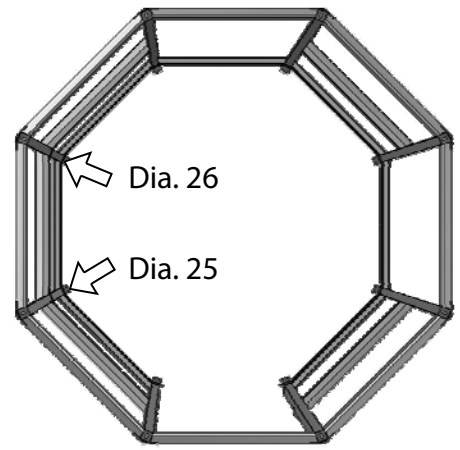


Diagram 24

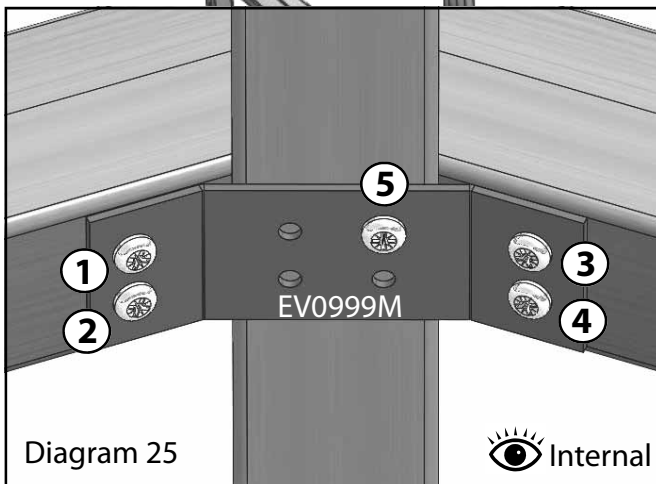
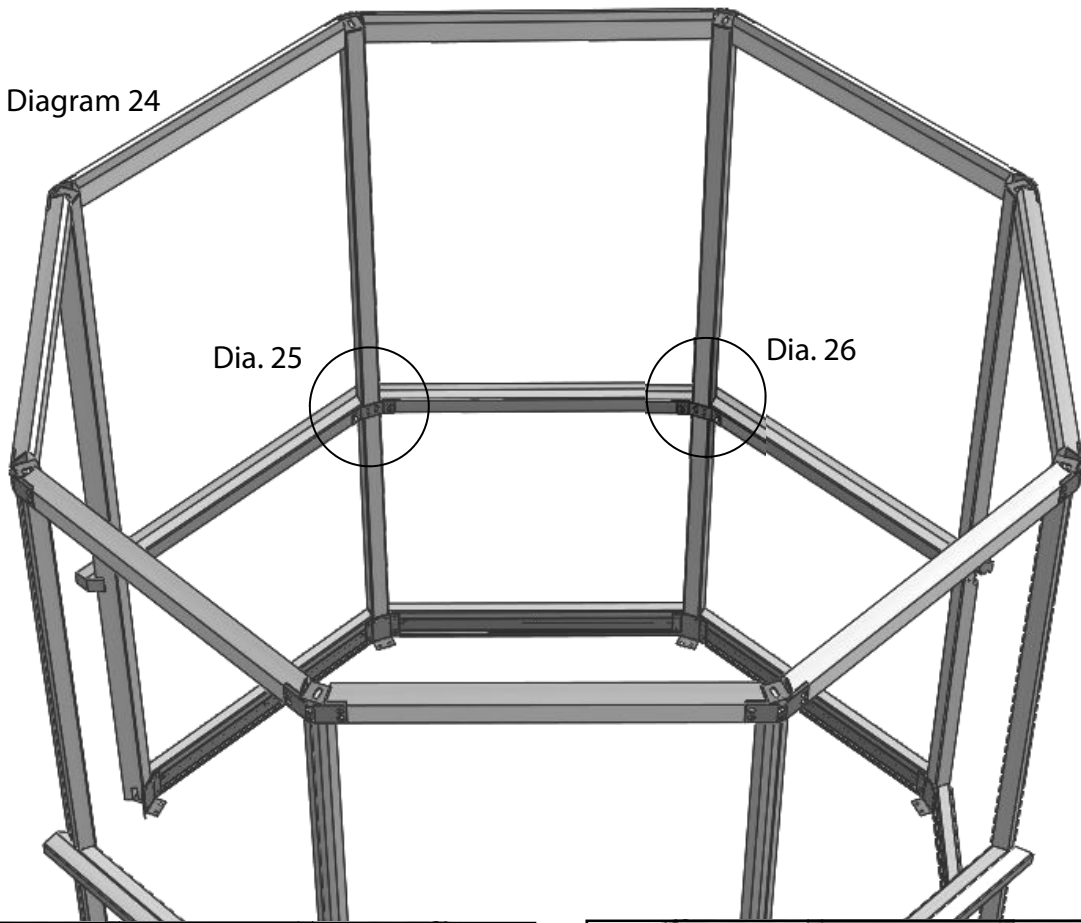


Diagram 25

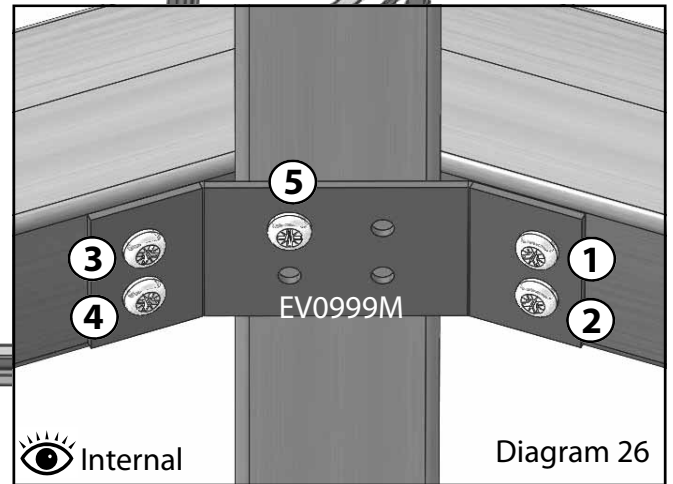


Diagram 26

Side Assembly

Once you have fitted the brackets to one side, do the same on the other side as a mirror image.

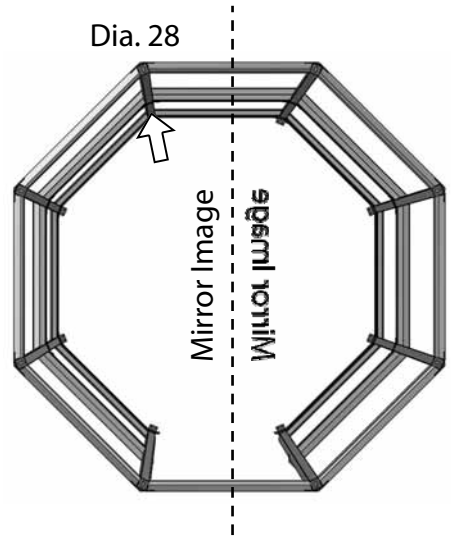
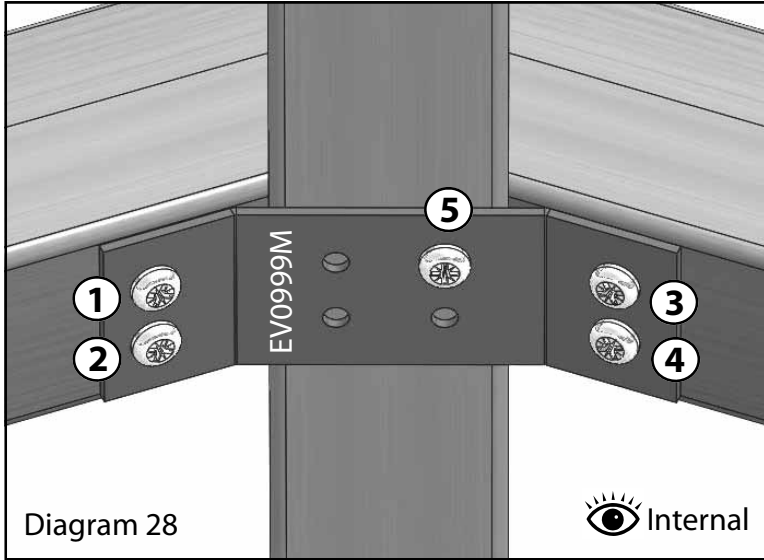
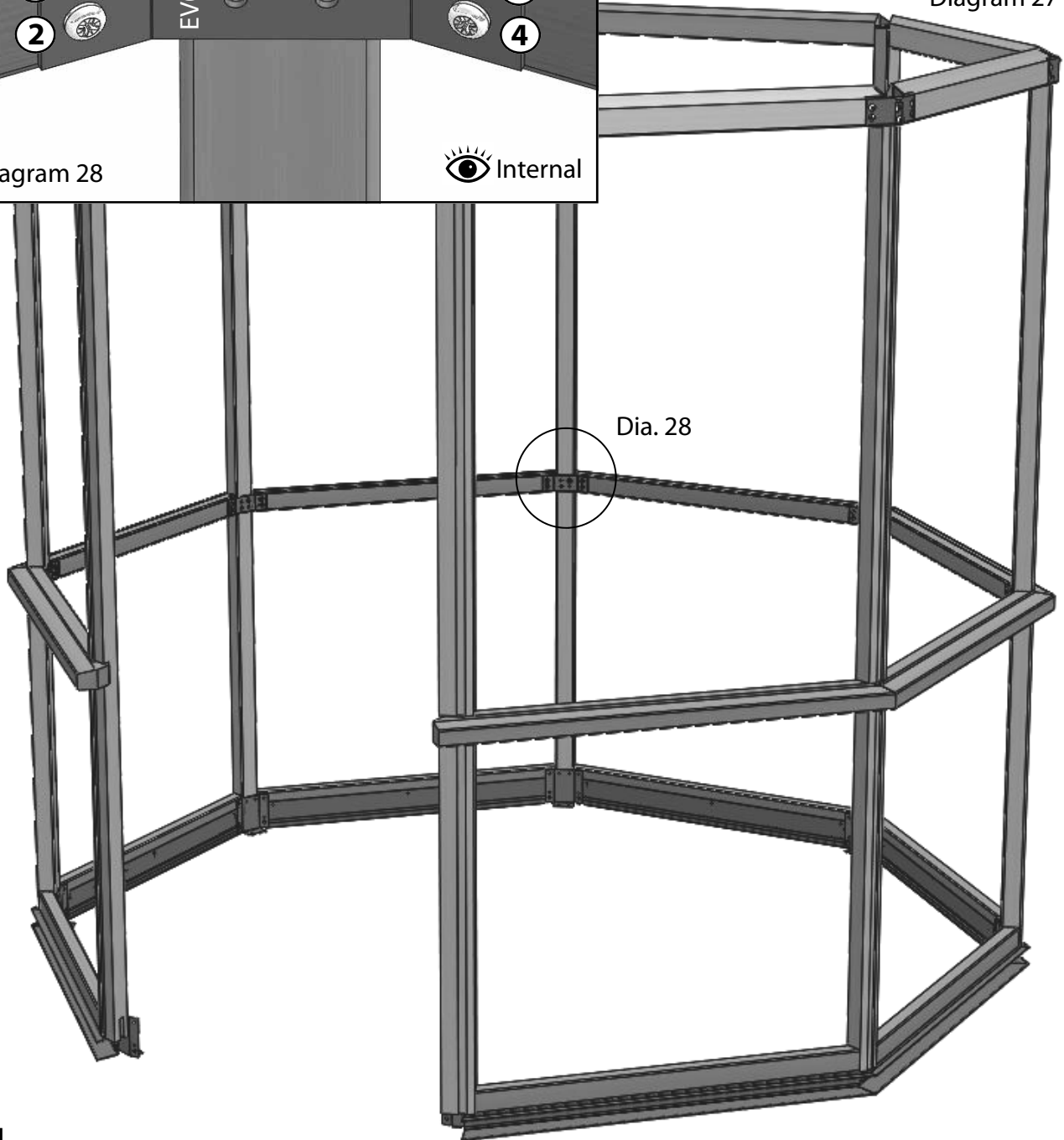
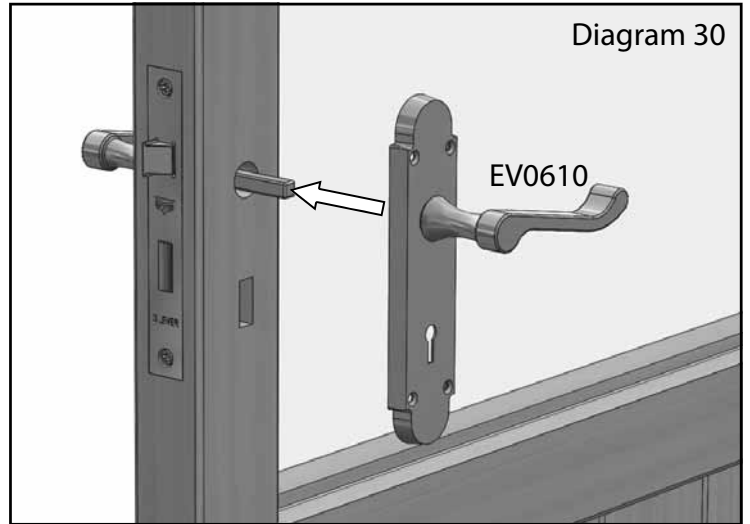
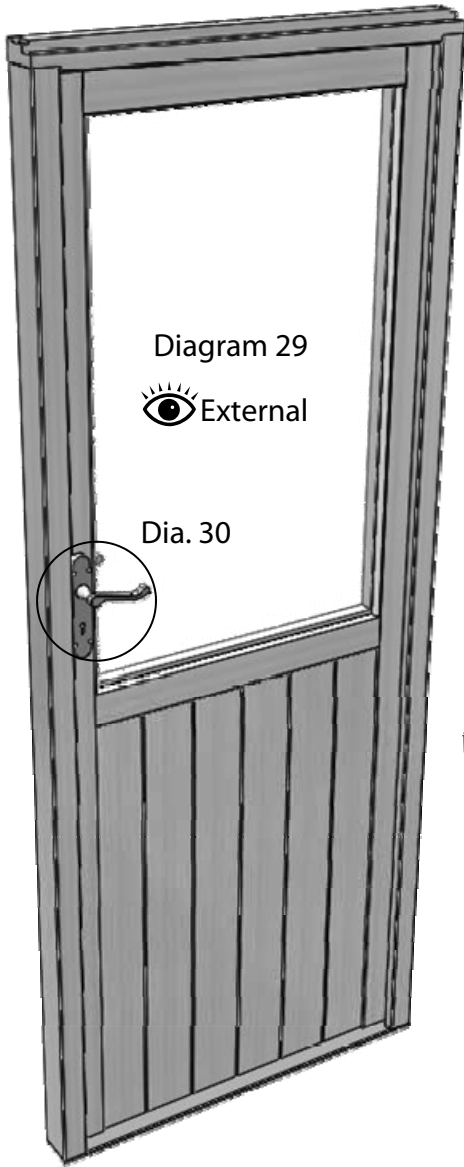
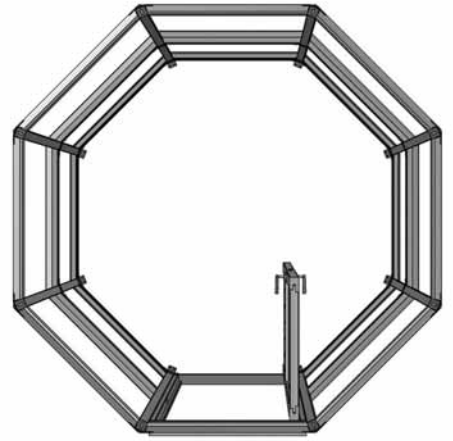


Diagram 27



Door Installation

Before you can install the door section you need to fit the door handle (EV0610). Slide the spindle through the lock to give you the position of the handle on the door. Fix the handle with the 3.5 x 25mm countersunk screws supplied.



Slot the door section into the assembly, the internal surfaces should be flush. Once in position drill pilot holes and fix with 50mm screws (EV0333), suggested locations shown by the arrows in diagram 31.

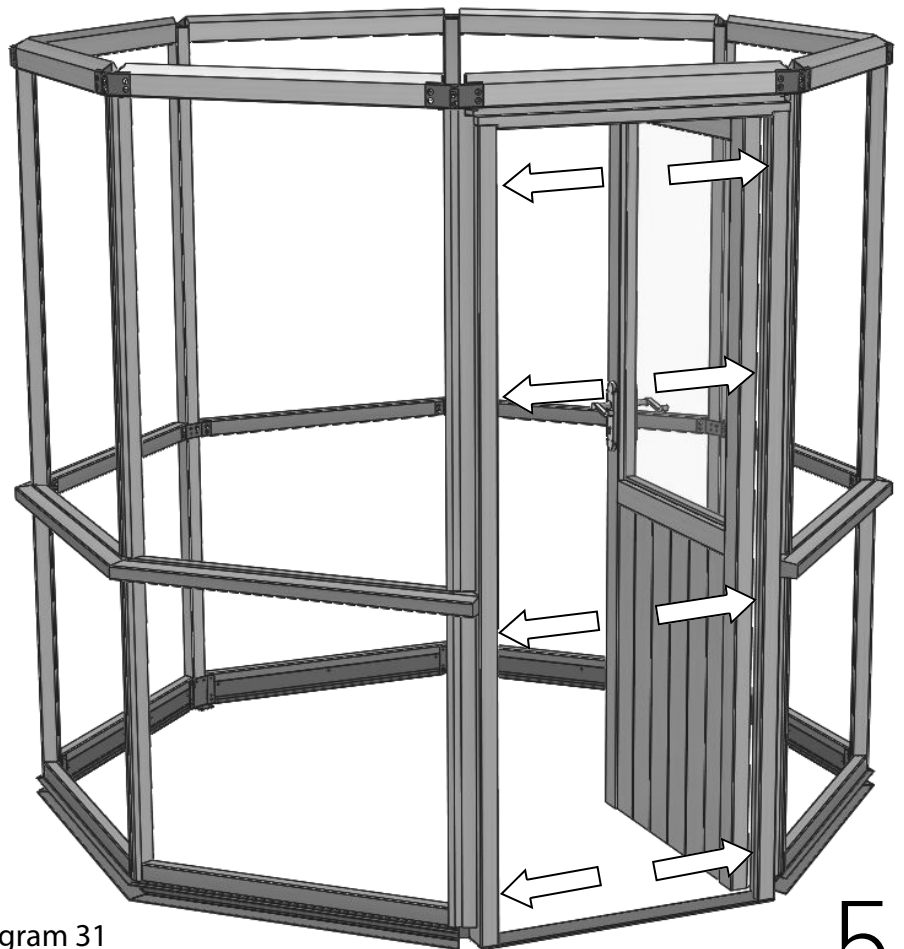
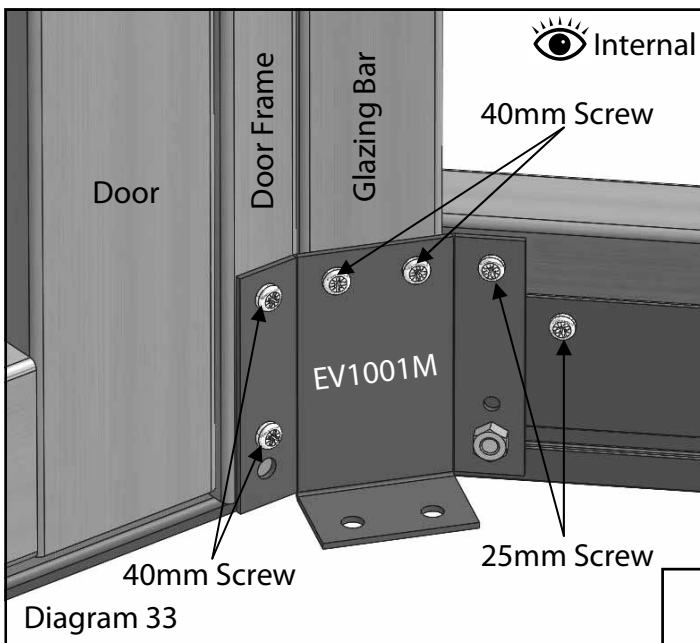
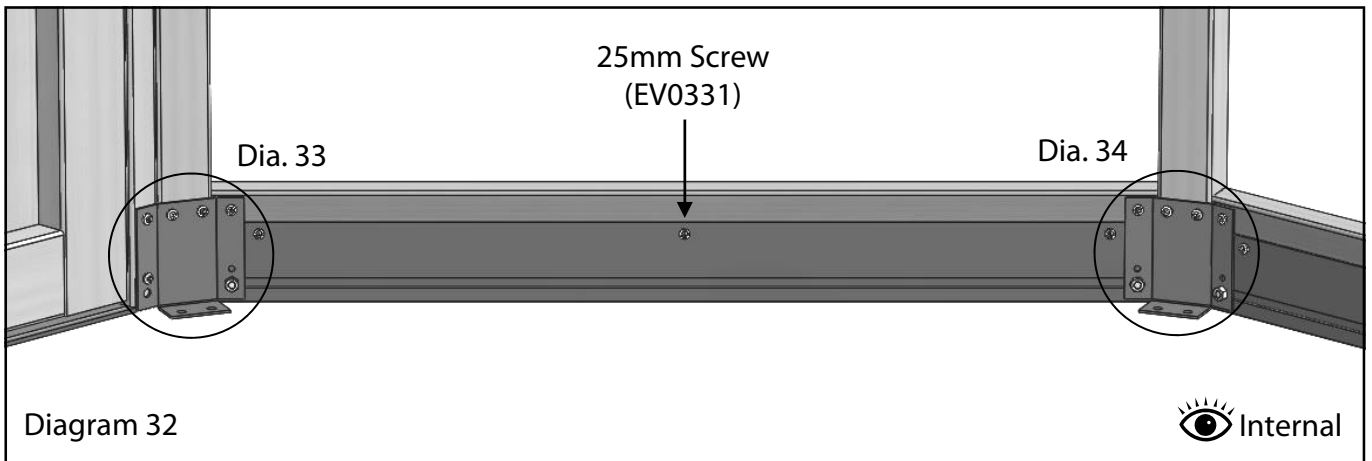


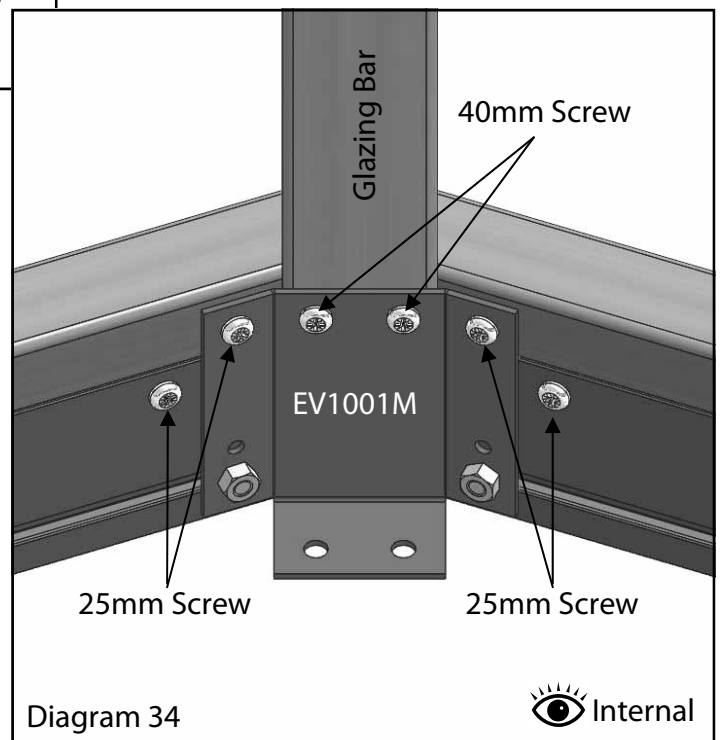
Diagram 31

Fix to Aluminium Base



With the door frame now fixed to the assembly you can now fix the aluminium base to the greenhouse frame. Follow the examples in diagrams 33 and 34, these show what size screw should be used. On each base bracket, its best to start by fixing the 40mm Pan head screws (EV0332) followed by the 25mm Pan head screws (EV0331). You may find you need to loosen the nuts slightly to get the best fit, remember to tighten them again afterwards.

N.B. Only use 25mm Pan head screws for screwing into the cill section (diagram 32).



Board Installation

Low Level Louvre? Page 58

If you have purchased the low level louvre you can either fit it now or simply leave out the board where you want the louvre to be positioned and fit it later.

To fit the boards slot the top edge into the mid rail (the top of the board has the baton closest to the edge), then push the bottom of the board in until it touches the frame. The board will drop slightly and the bottom baton will rest on the cill.

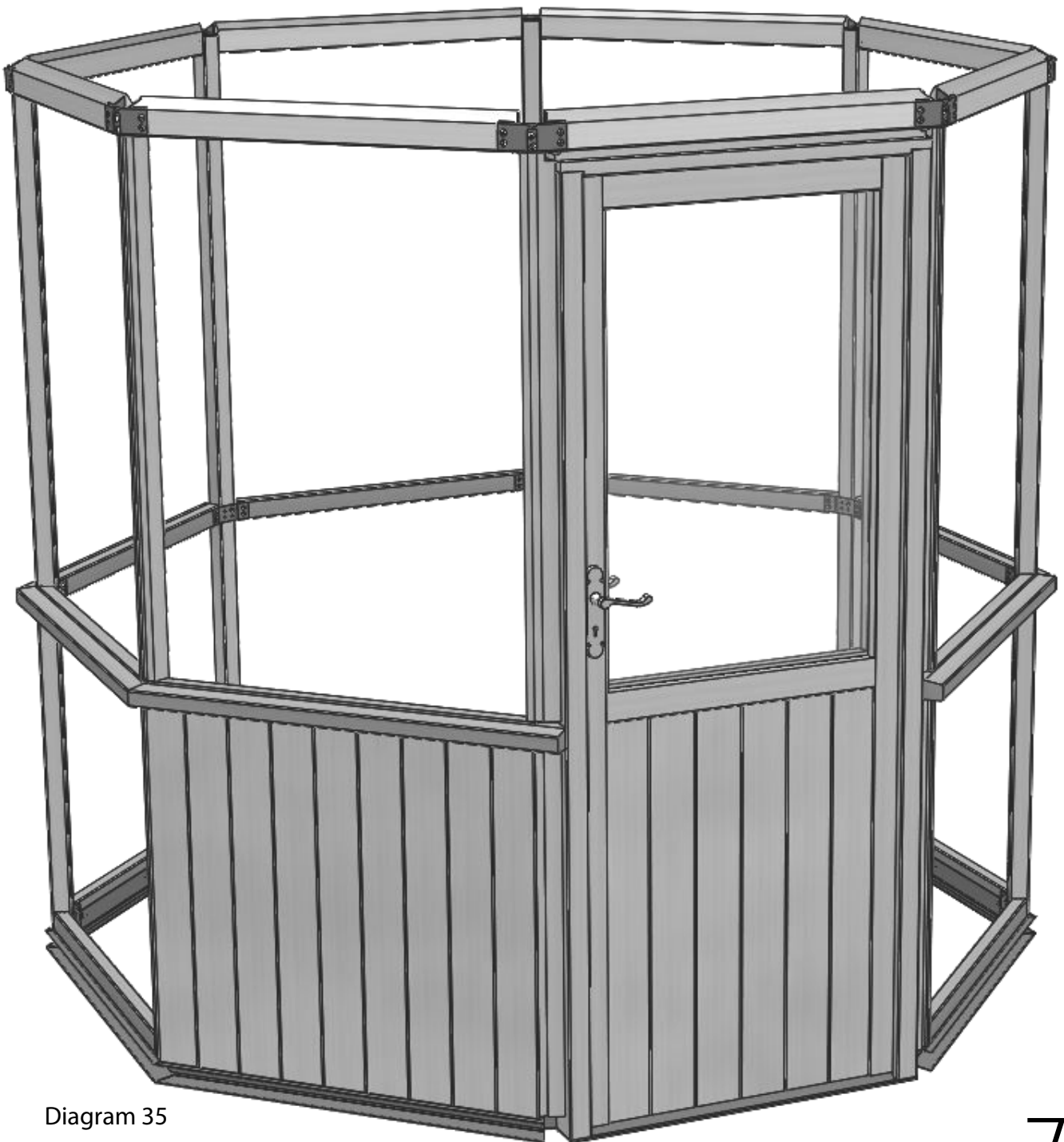
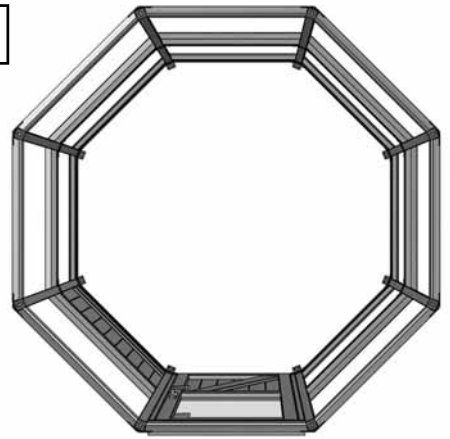
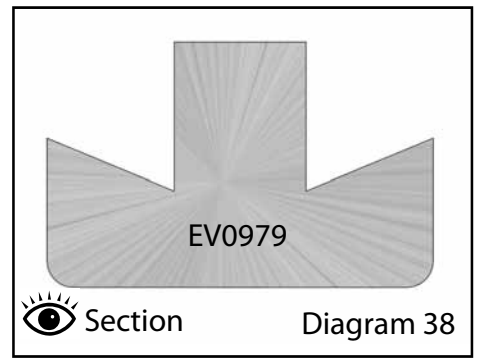


Diagram 35

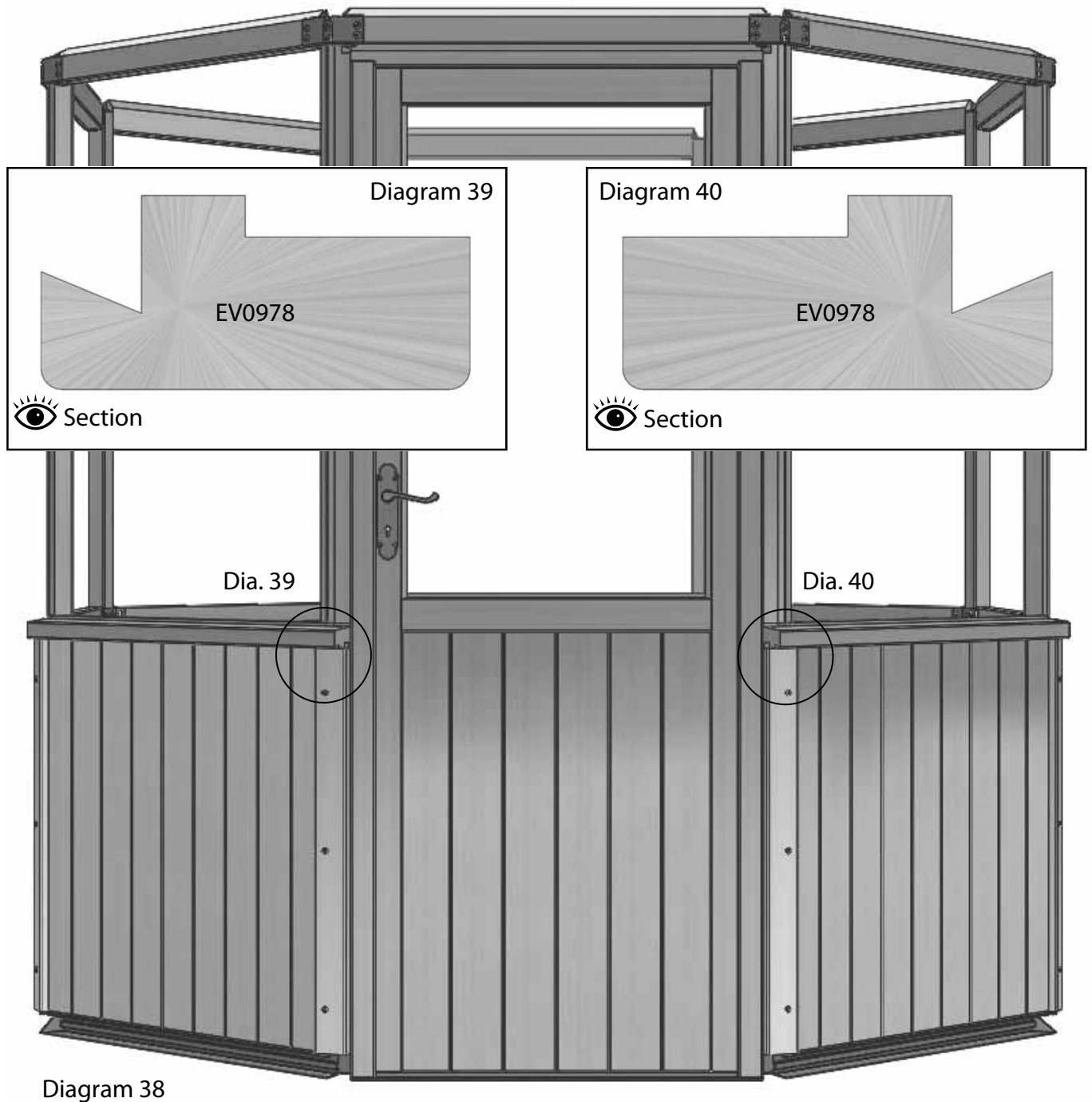
Board Installation

Work your way around the building until all the boards are in place. Once in position you can fix them with the cedar panel capping (EV0979). This capping is used all around the building apart from either side of the door, special capping is used here (page 21). Fix the capping in place with 40mm Pan head screws (diagram 37).



Board Installation

The cedar panel capping either side of the door has a slightly different profile, orientate the capping as shown in diagrams 39 and 40 and secure with 40mm screws.

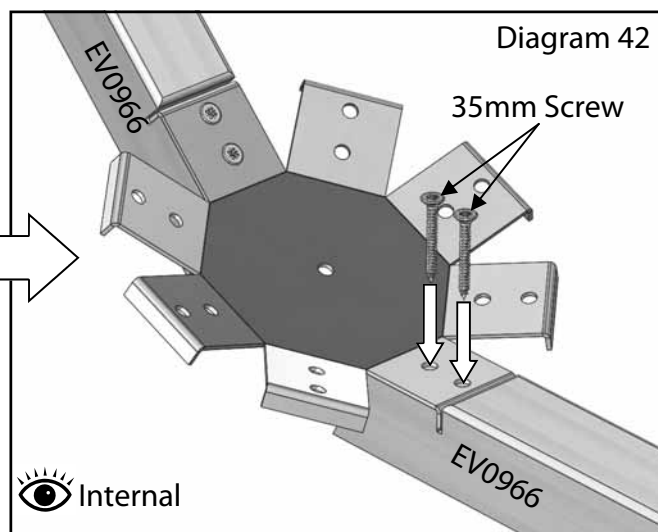
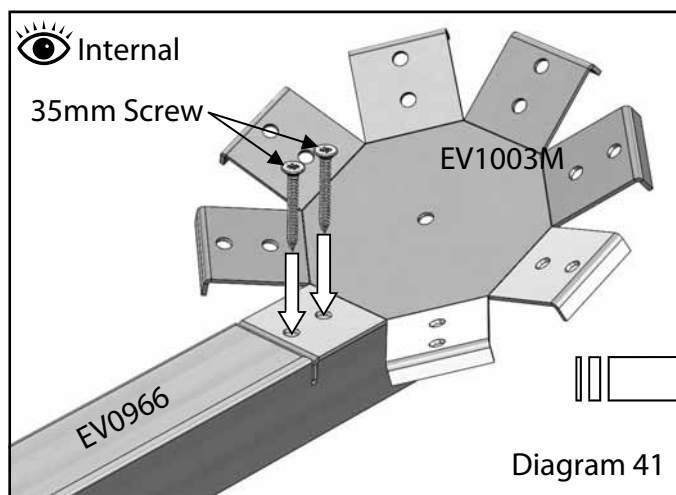
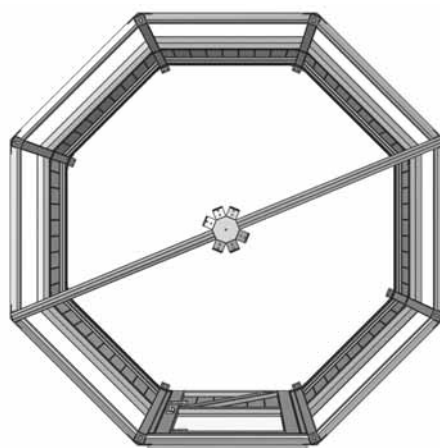


Roof Assembly

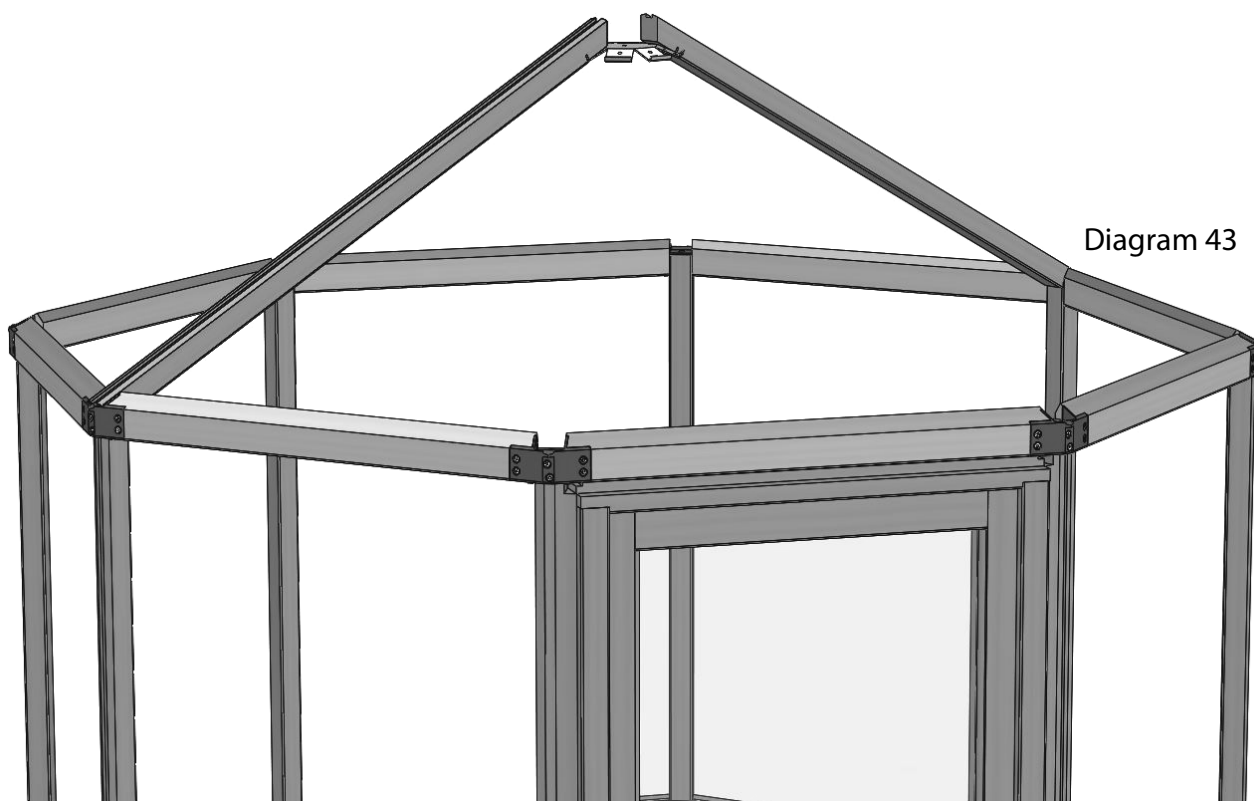
To begin constructing the roof you will first need the top bracket (EV1003M) and two roof bars (EV0966).

Working on the floor, slot the bracket onto the first roof bar. Drill pilot holes through the pre-drilled holes in the bracket. Then fix in place with 35mm countersunk screws (diagram 41).

Add the next glazing bar in the opposite position to the last bar and fix this in place (diagram 42).

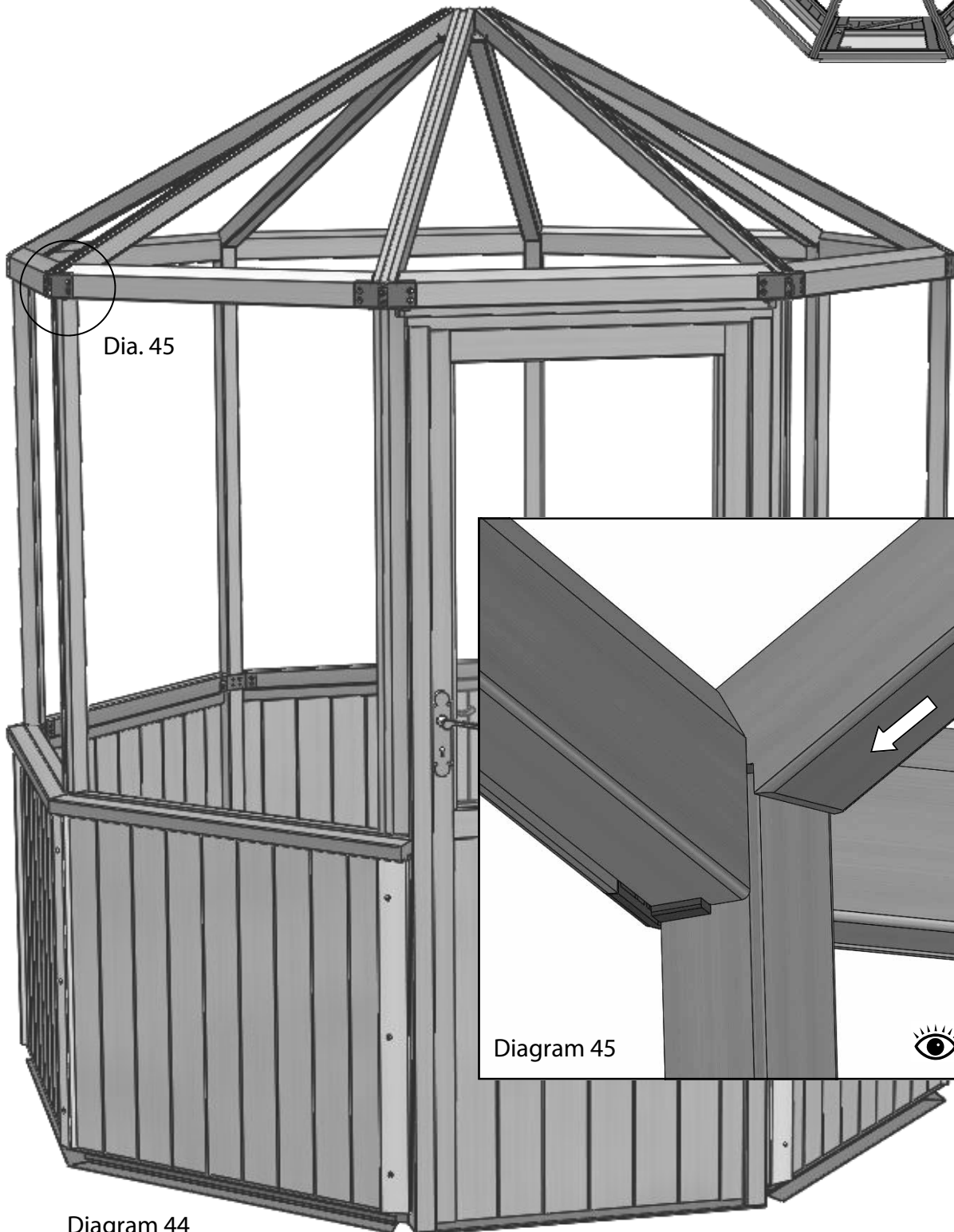
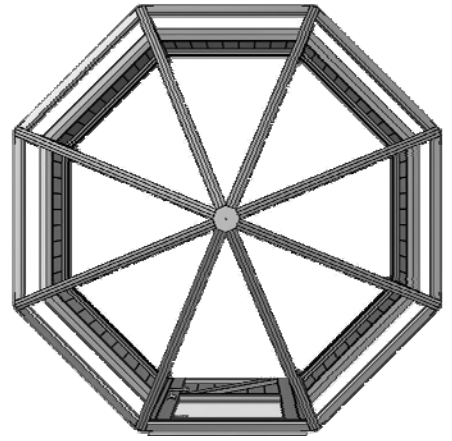


This assembly can then be offered up to the main building assembly, each end of the roof bar will slot into the cast eaves bracket at the top of the side glazing bars (diagram 43).



Roof Assembly

Slot the rest of the roof bars into place, locating them on the top bracket first then lowering them down to the eaves bracket. When in place drill and fix all the bars to the top bracket with 35mm screws.



Dia. 45

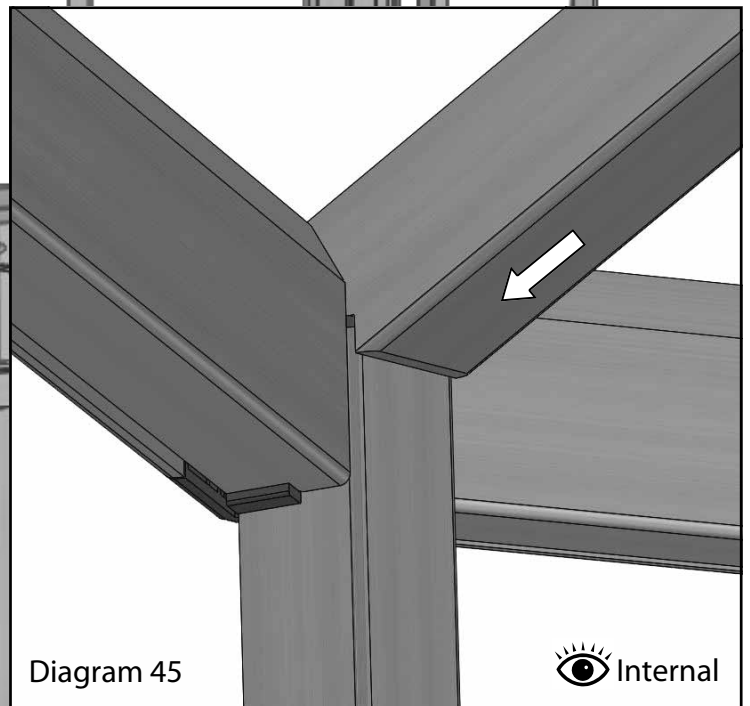


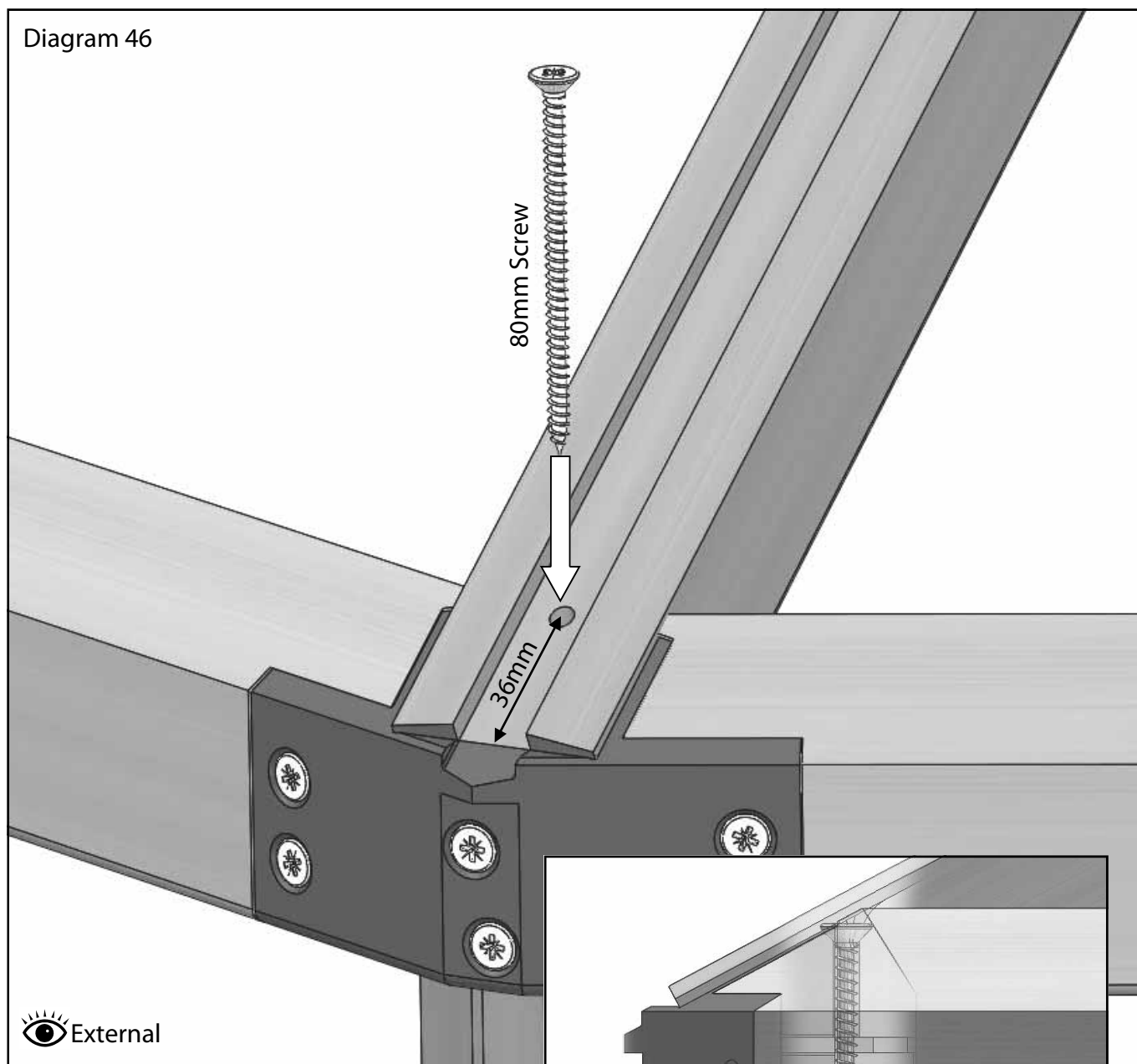
Diagram 45

Internal

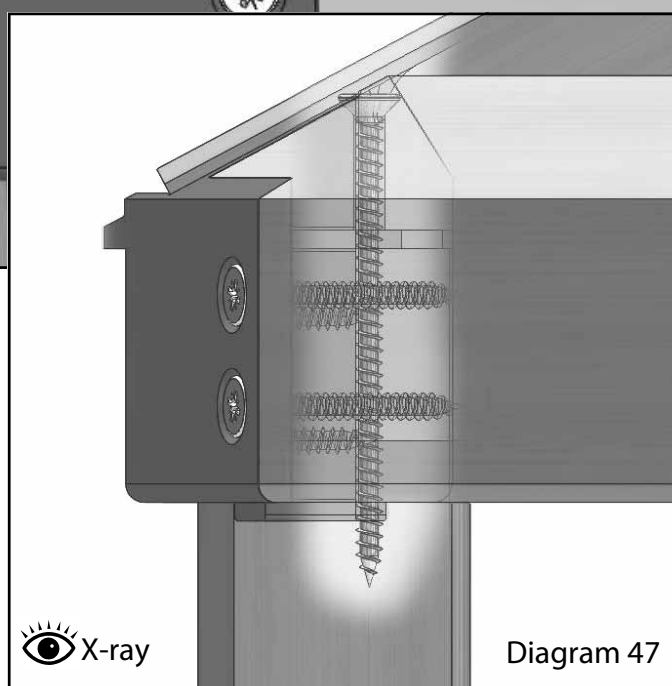
Diagram 44

Roof Assembly

Diagram 46



Before fixing the bottom of the roof bars, make sure they are pulled tight into the side glazing bar leaving no gap (diagram 46). When in position drill vertically down in the location shown in diagram 47. Then fix with an 80mm screw. Work your way around the building until all roof bars are fixed.



Louvre Assembly

To start building your louvre you first need to assemble the sides. Connect the two handed side sections with the two inserts as shown here.

Diagram 48

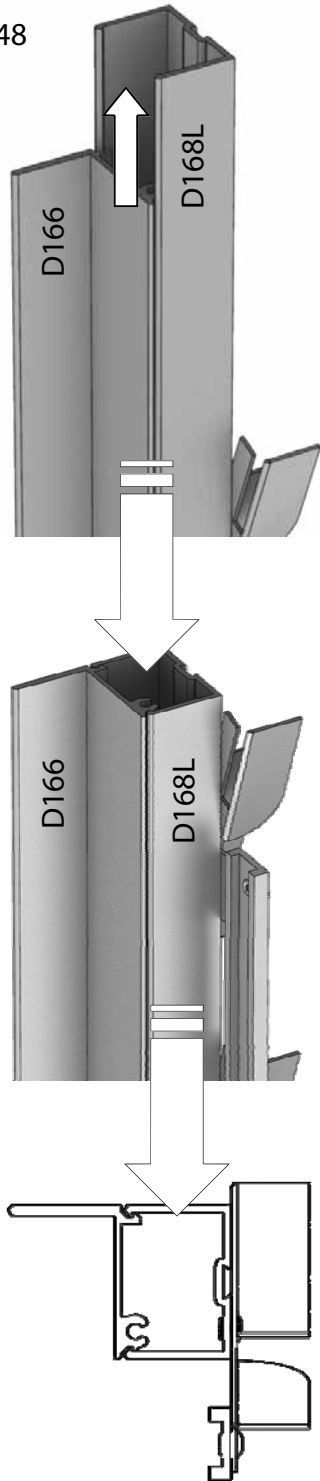
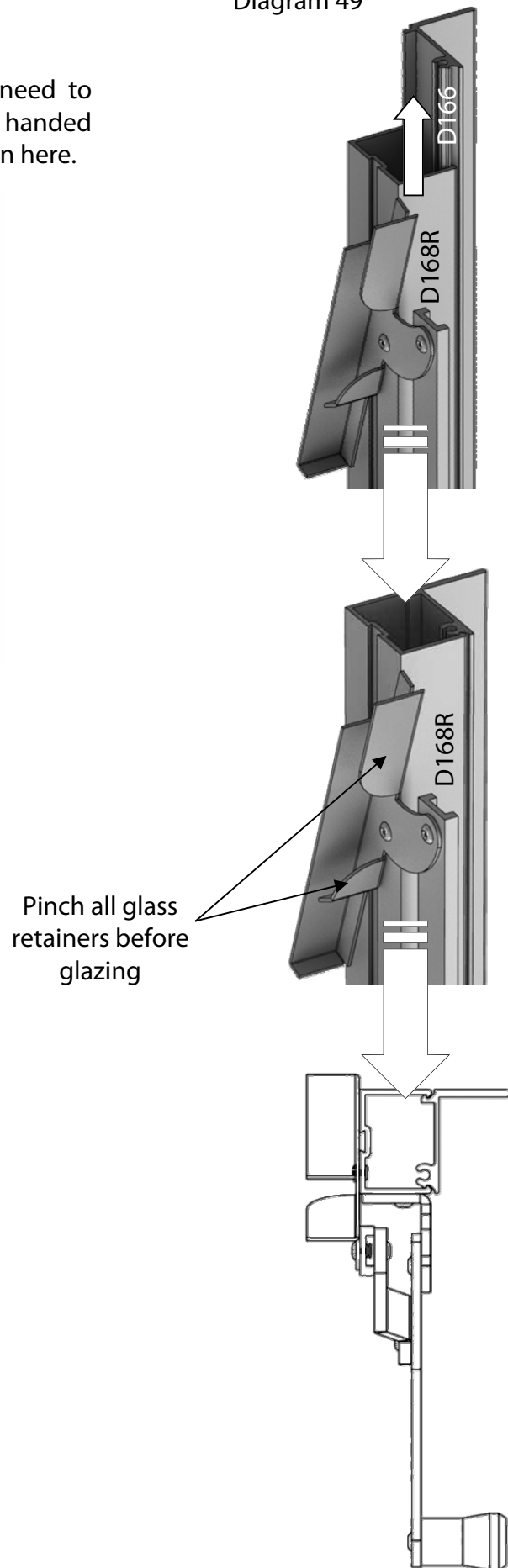


Diagram 49



Louvre Assembly

Louvre			
Part Name	Part Number	Size (mm)	Qty
Louvre Top/Bottom	D165	612	2
Louvre Side Insert	D166	552	2
Louvre Side	D168L	552	1
Louvre Side (handle)	D168R	552	1
Assembly Screw	-	19	4
Louvre Glass	D729TG	100 x 525	6

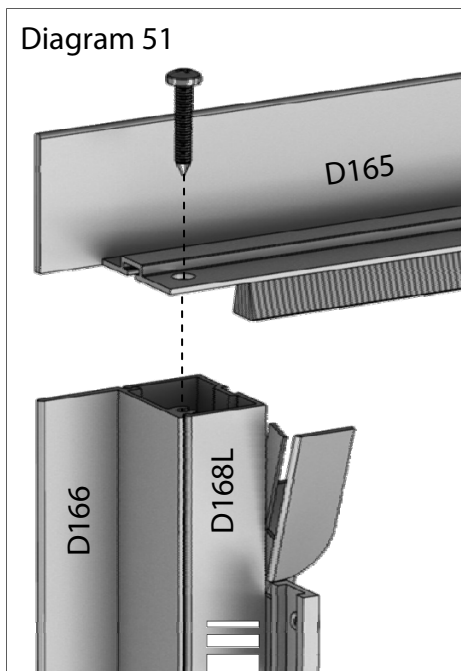
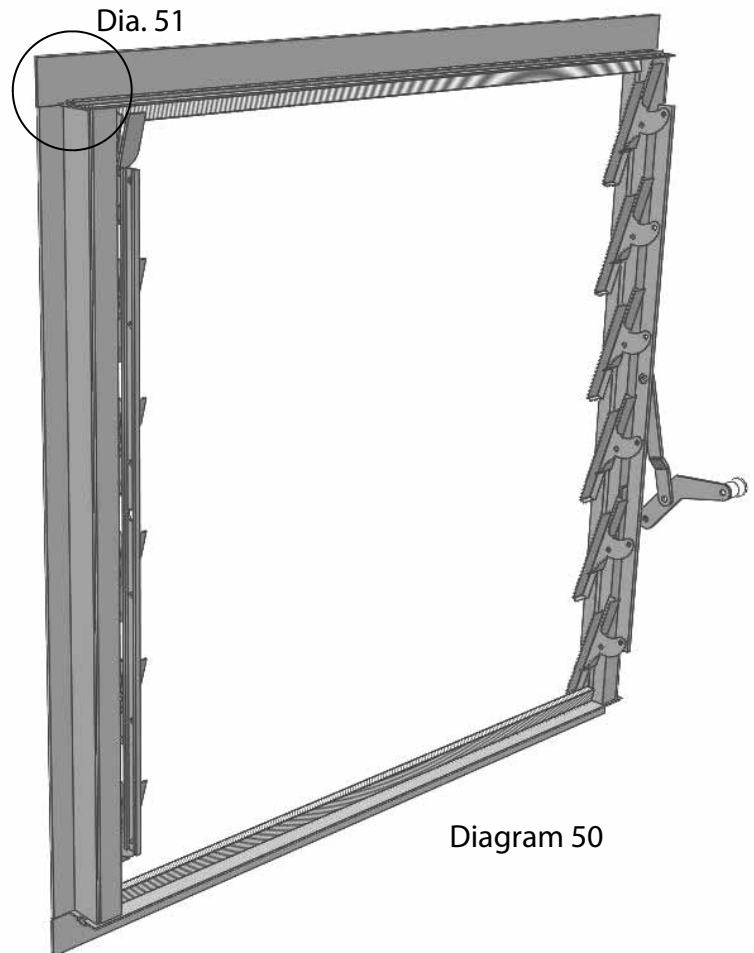


Diagram 50

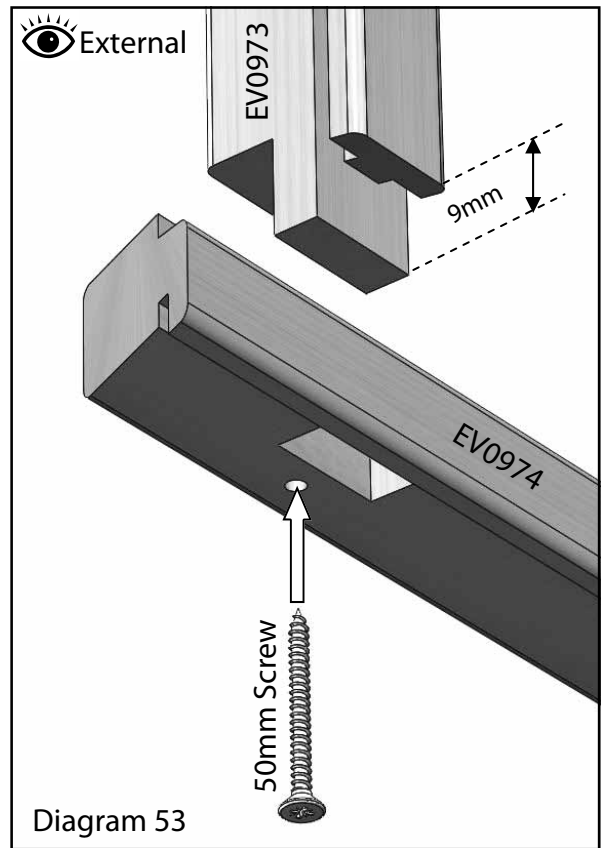
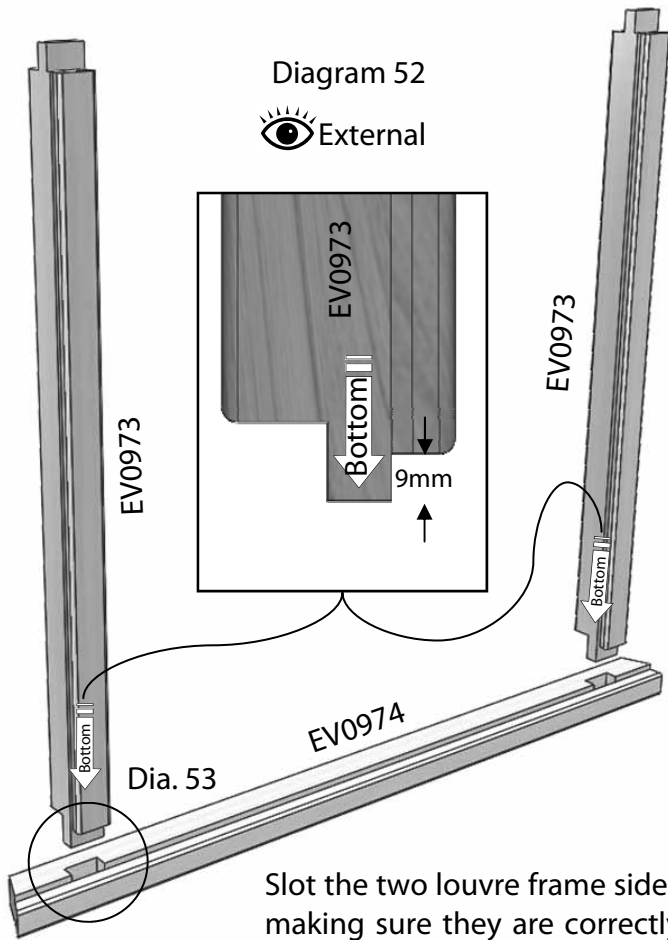
Now you have assembled the side, trim the rubber seal flush with the ends.

Attach the top and bottom of the louvre with the 19mm assembly screws in each end. This locates with a screw channel in the side sections.

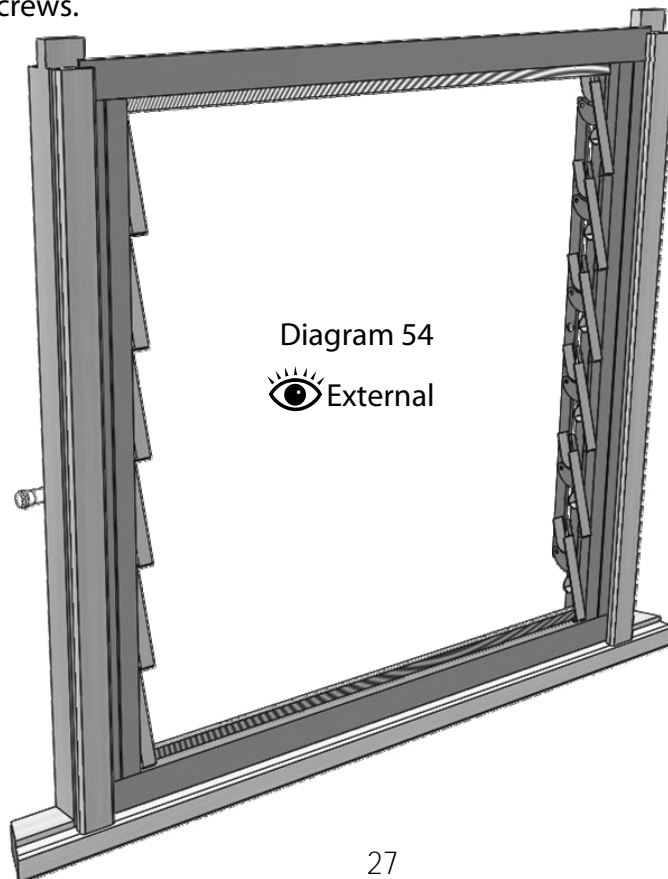
Makes sure you pinch the glass retainers as this helps secure the glass when in place. You will find your louvre glass in the box with the louvre.

It is easier to install the glass when the louvre is in the frame of the greenhouse.

Louvre Frame Assembly



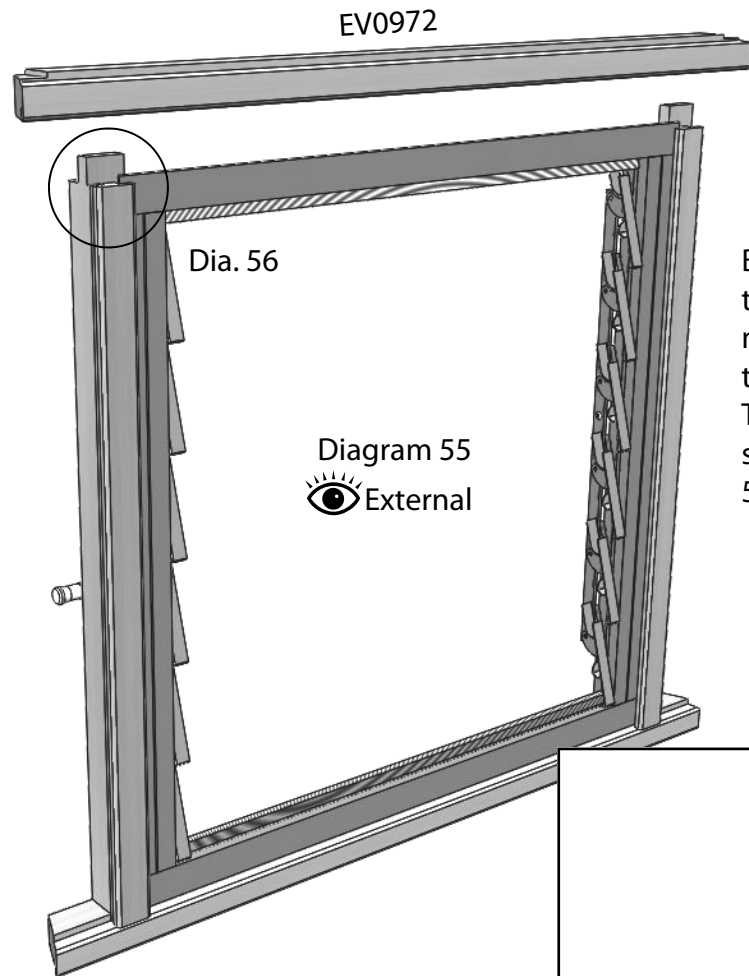
Slot the two louvre frame sides EV0973 into the louvre frame bottom rail EV0974 making sure they are correctly orientated, see 9mm in diagram 53. Drill a pilot hole as shown in diagram 53, just behind the mortice hole. Fix with 50mm screws.



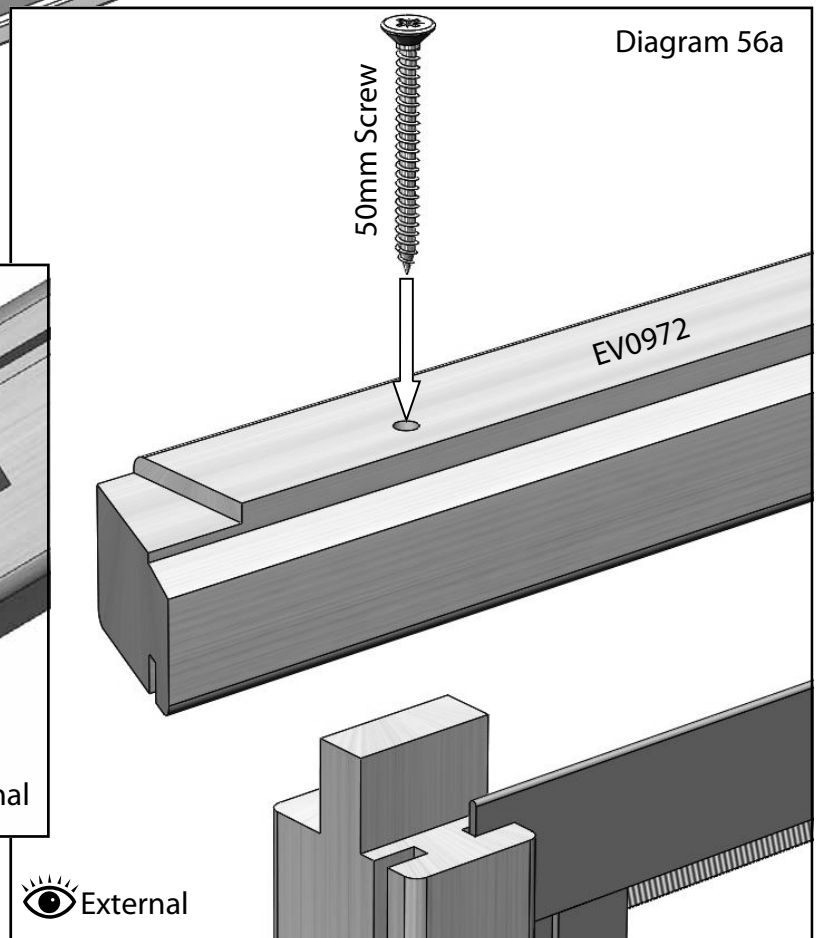
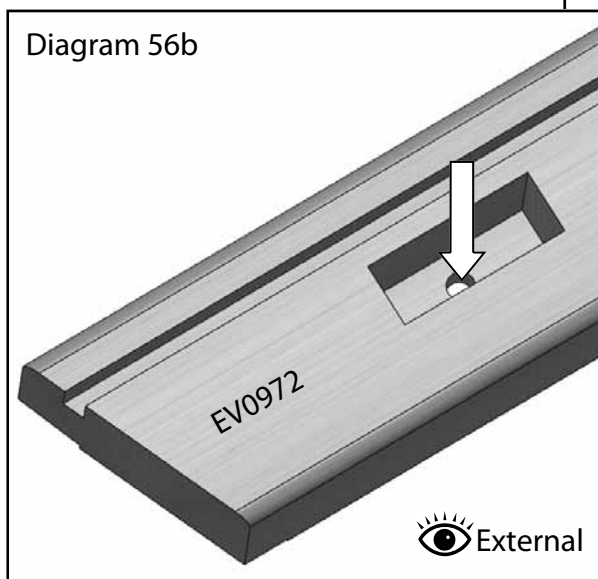
Slot the louvre into the louvre frame.

Important: Make sure that when you are inside the greenhouse that the louvre handle is on the right hand side, if it is on the left then your louvre is upside down.

Louvre Frame Assembly



Before fitting the louvre frame top you need to drill pilot holes through the bottom of the mortice hole (diagram 56b). Drill as close to the middle of the mortice hole as possible. Then slot this onto the louvre frame sides to secure the louvre in place. As before, fix with 50mm screws (diagram 56a).



Louvre Positions

You have a choice of installing your louvre in two positions, high level or mid level. The louvre can be installed at any of the locations indicated by the arrows.

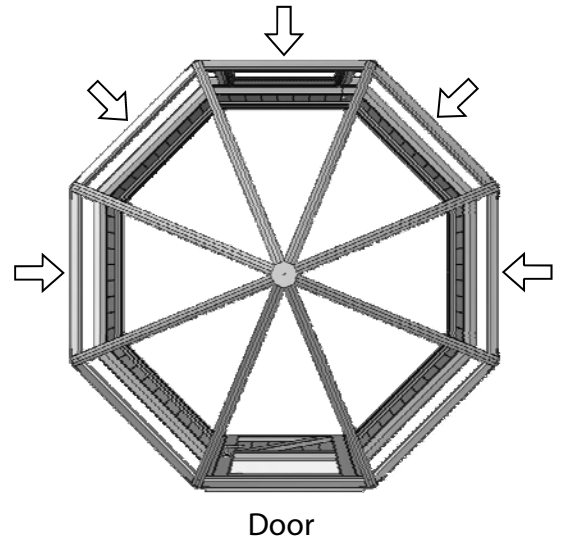
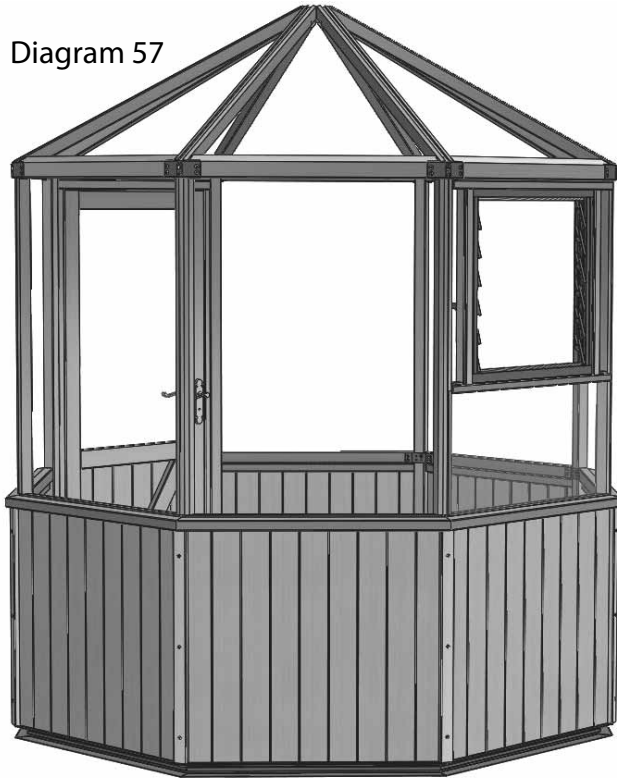
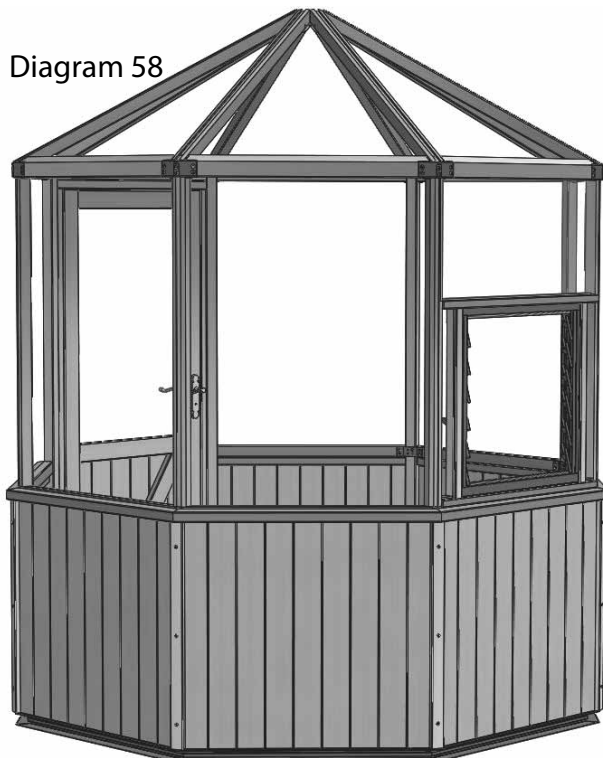


Diagram 57



High Level Louvre

Diagram 58

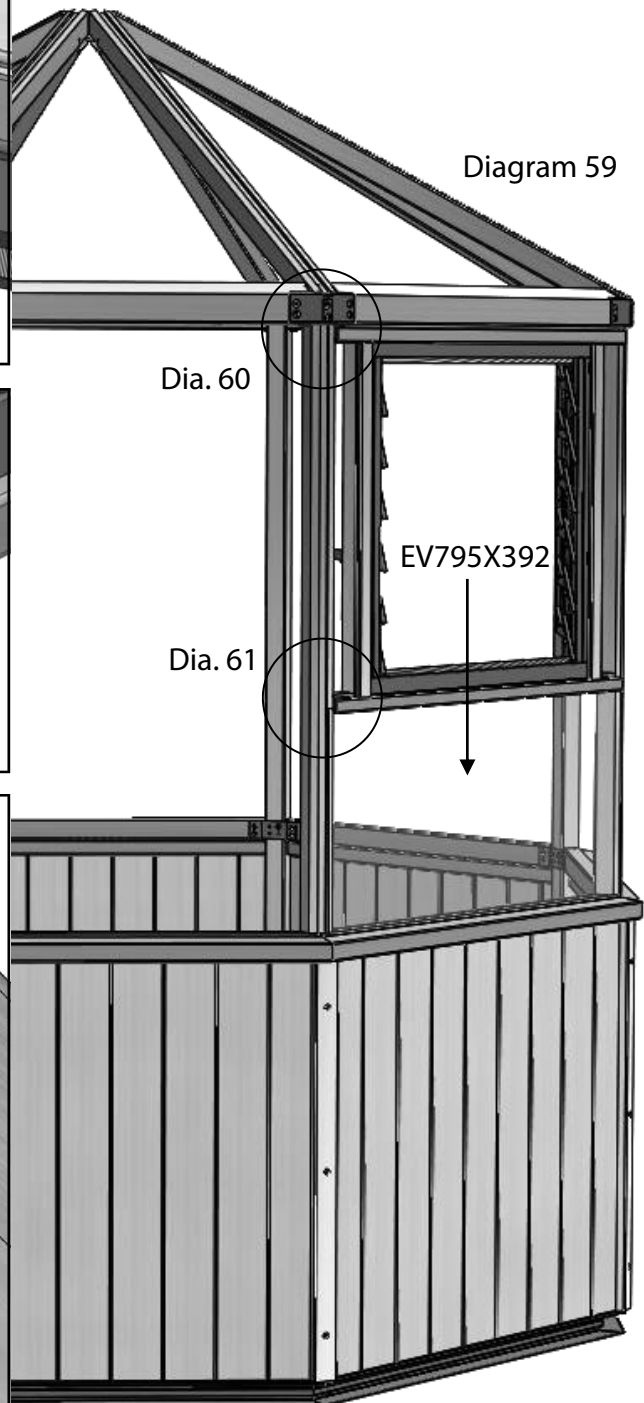
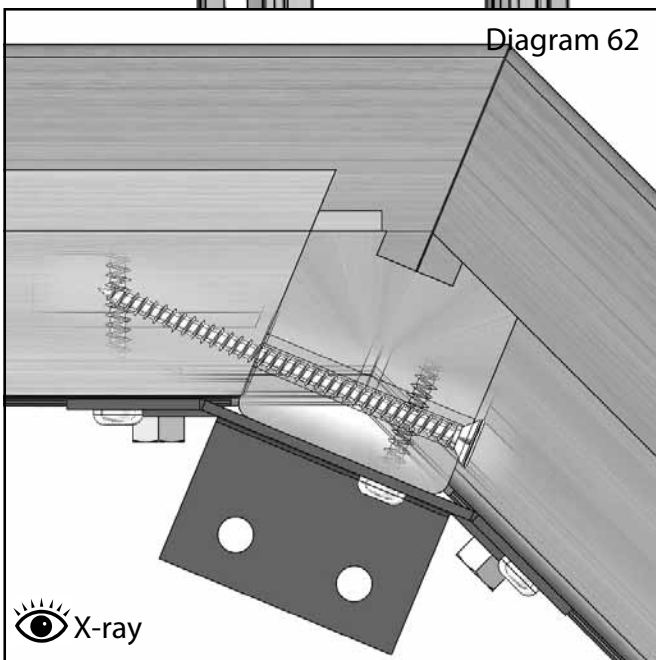
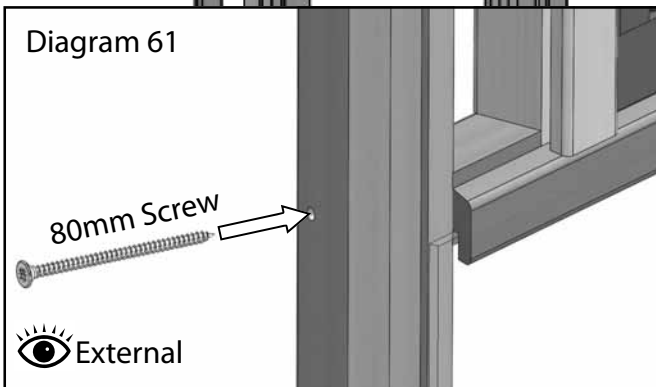
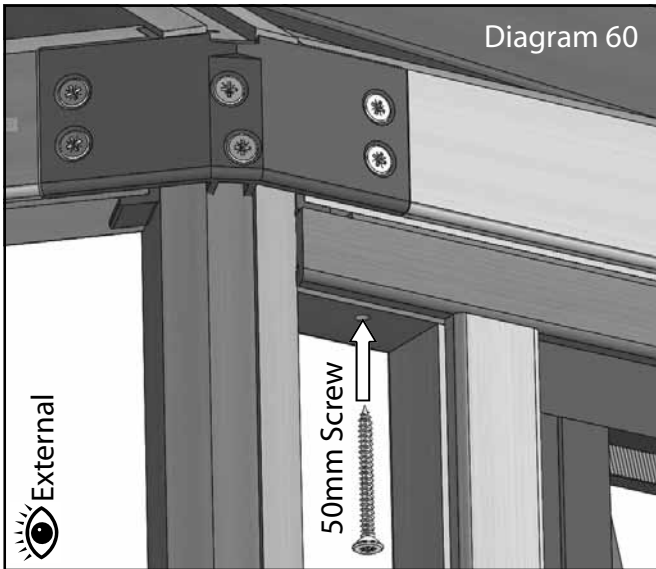


Mid Level Louvre

High Level Louvre Installation

To fit the louvre assembly in the high level position you place the EV795X392 glass under the louvre frame. This should be held in place while the louvre frame is fixed in position. Drill a pilot hole through the top rail of the louvre frame and secure to the eaves rail with a 50mm screw each side (Diagram 60).

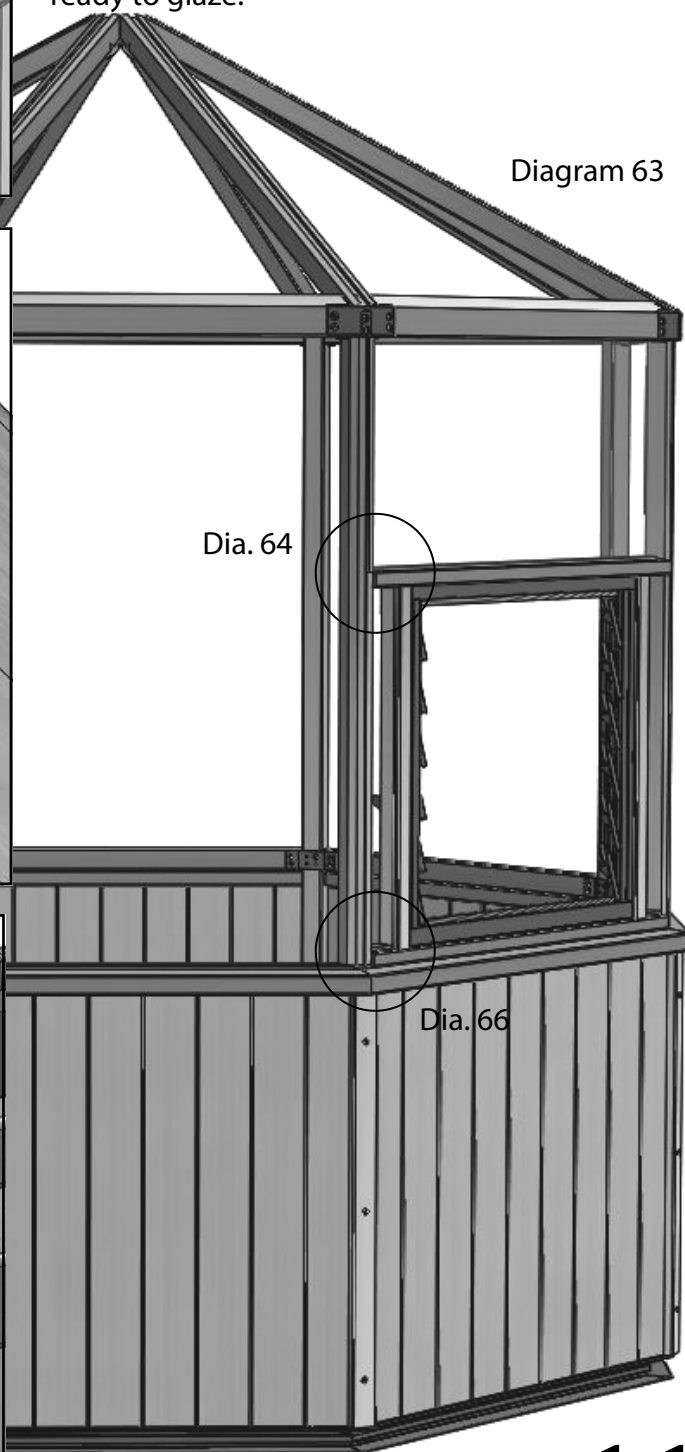
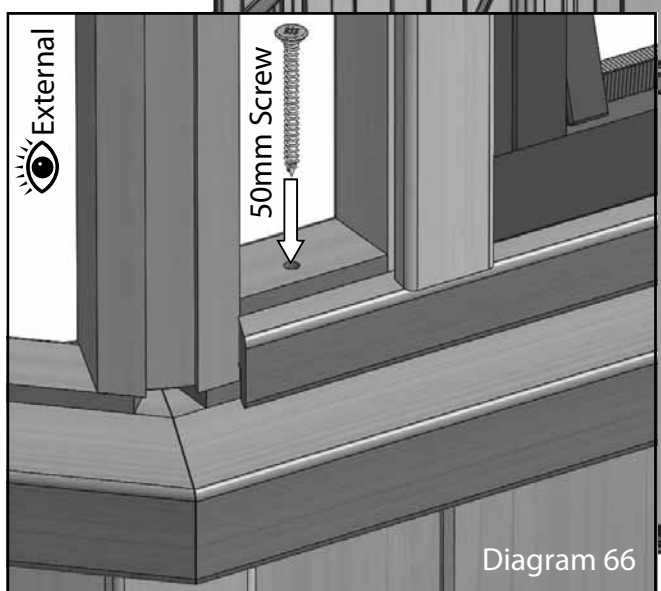
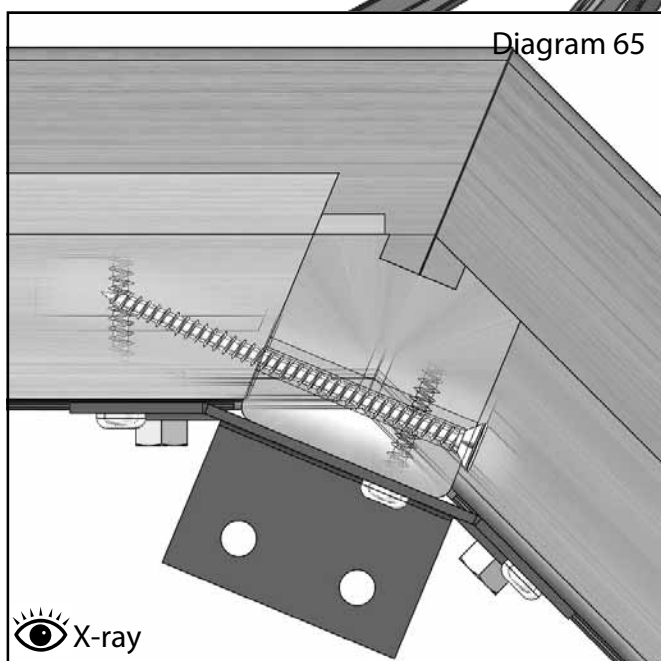
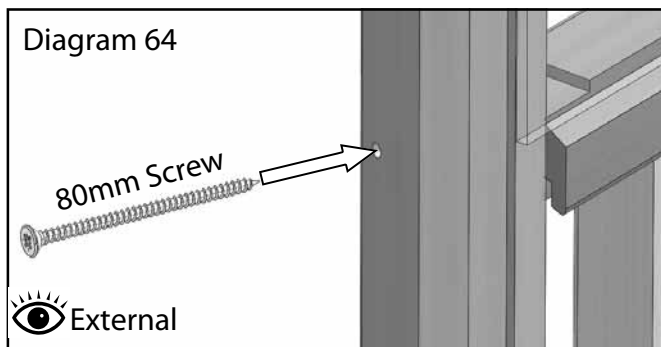
Next, drill a pilot hole through the glazing bar (diagram 61), diagram 62 shows the ideal angle of the screw. Make sure the rebate for the glass lines up with the front of the glazing bar.



Mid Level Louvre Installation

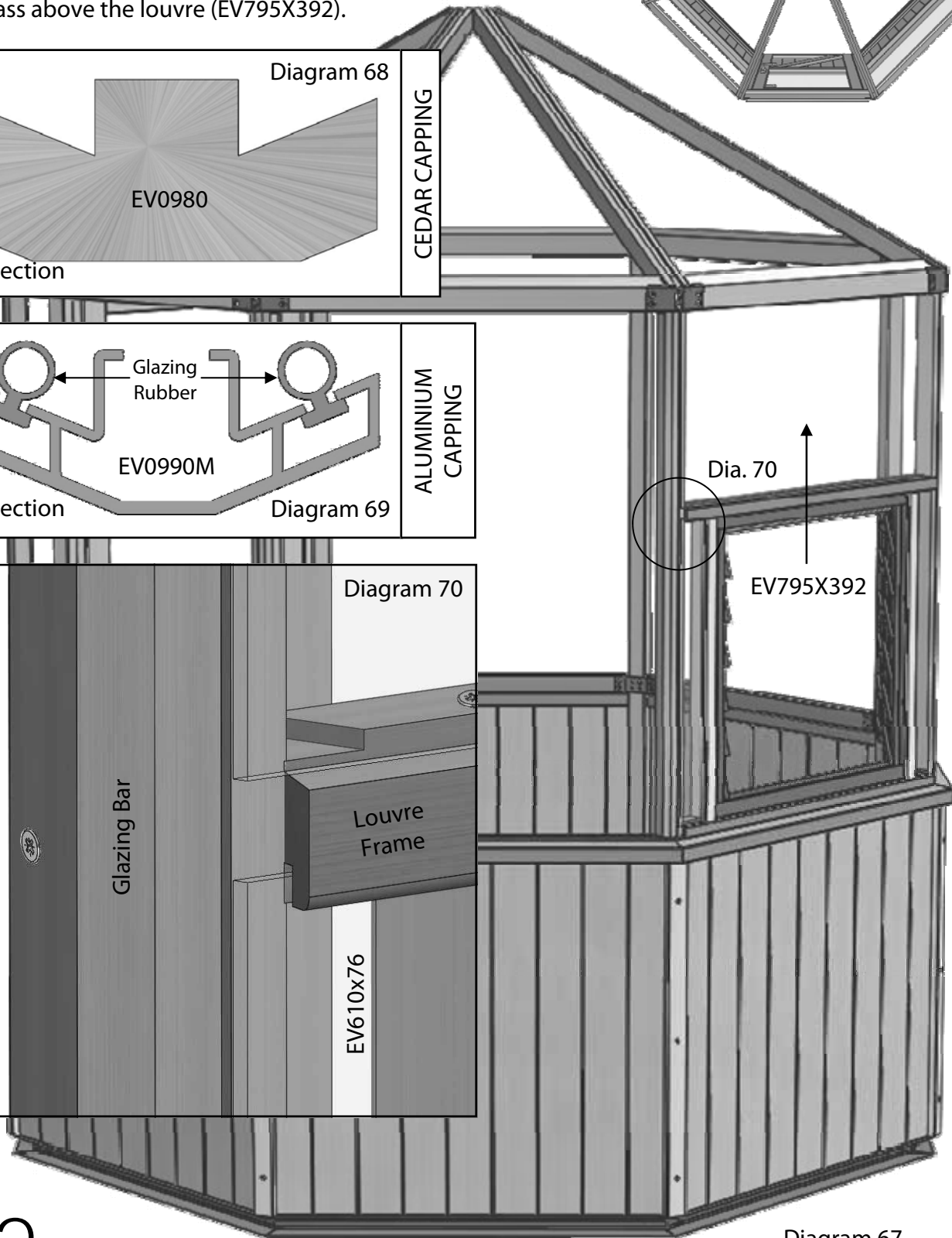
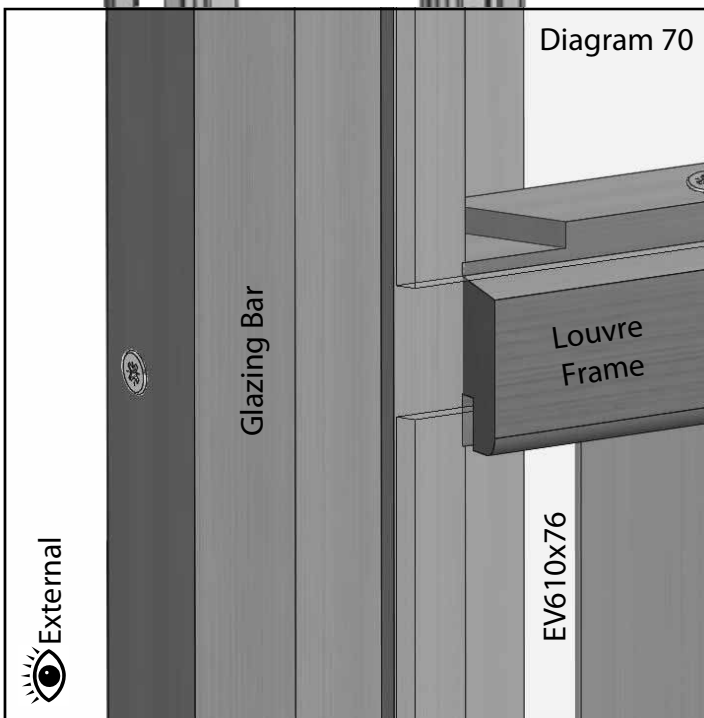
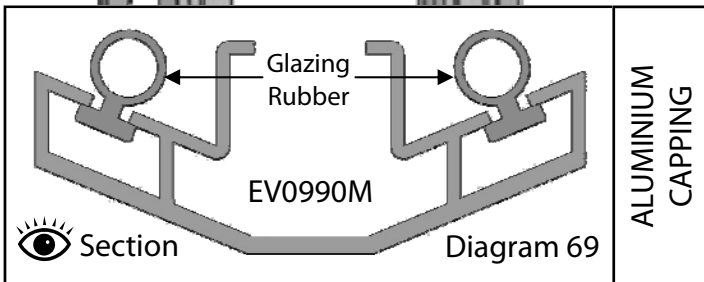
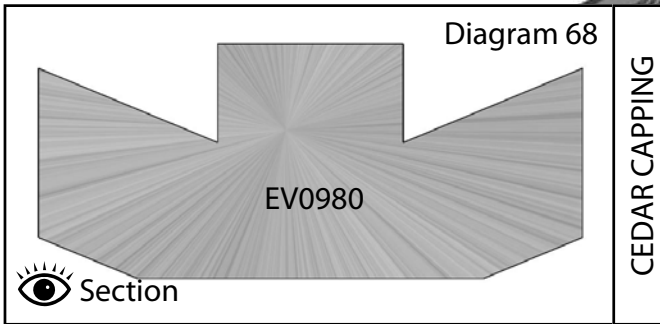
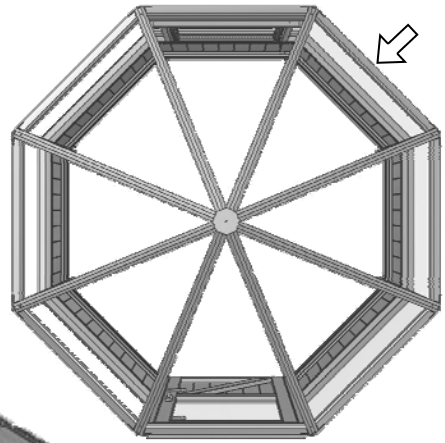
To fit the louvre assembly in the mid level position place the louvre frame on top of the mid rail. Make sure the glass rebate on the louvre frame lines up with the front face of the glazing bar then drill a pilot hole through the bottom rail of the louvre frame and secure to the mid rail with a 50mm screw each side (Diagram 66). Next, drill a pilot hole through the glazing bar (diagram 64), diagram

65 shows the ideal angle of the screw. Again, make sure the rebate for the glass lines up with the front of the glazing bar before fixing. Leave the pane out above the louvre until you are ready to glaze.



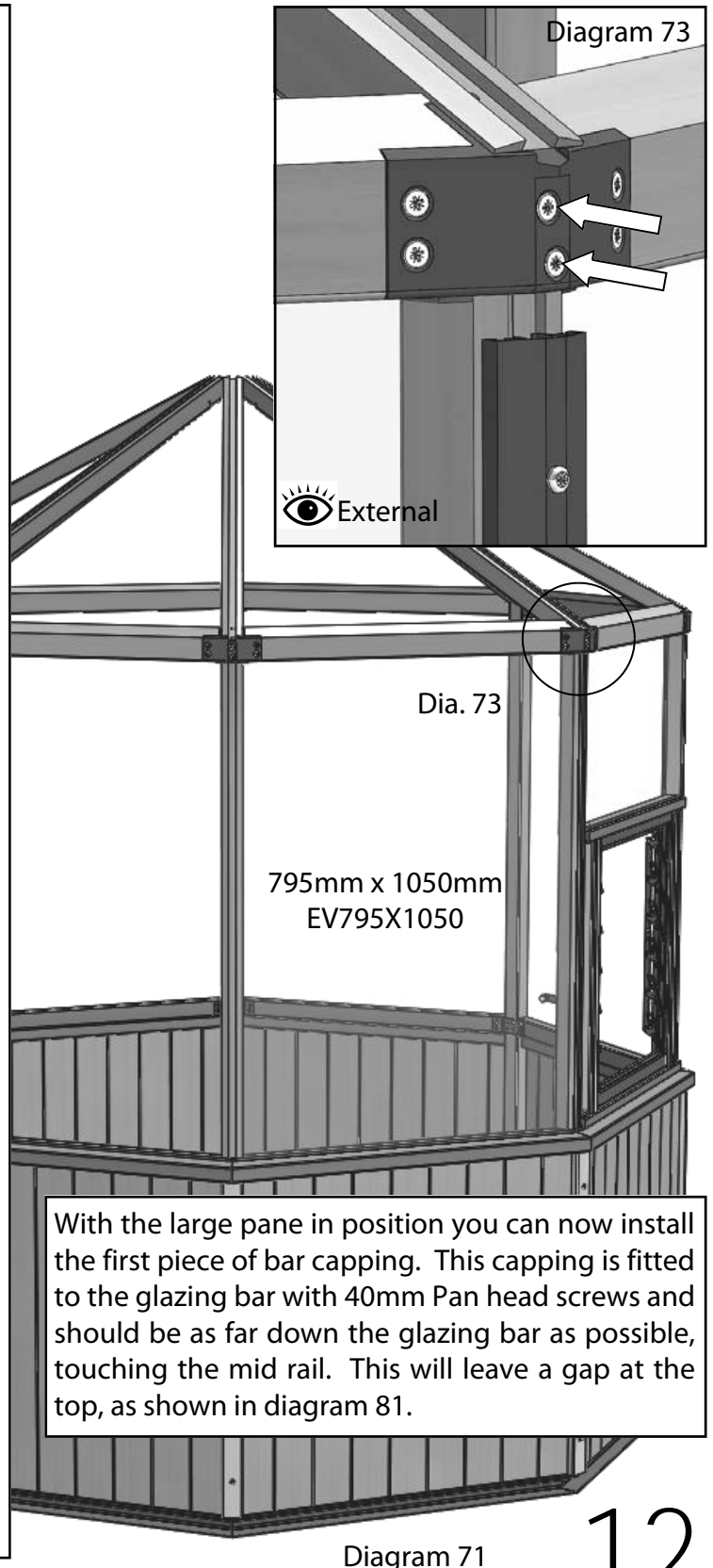
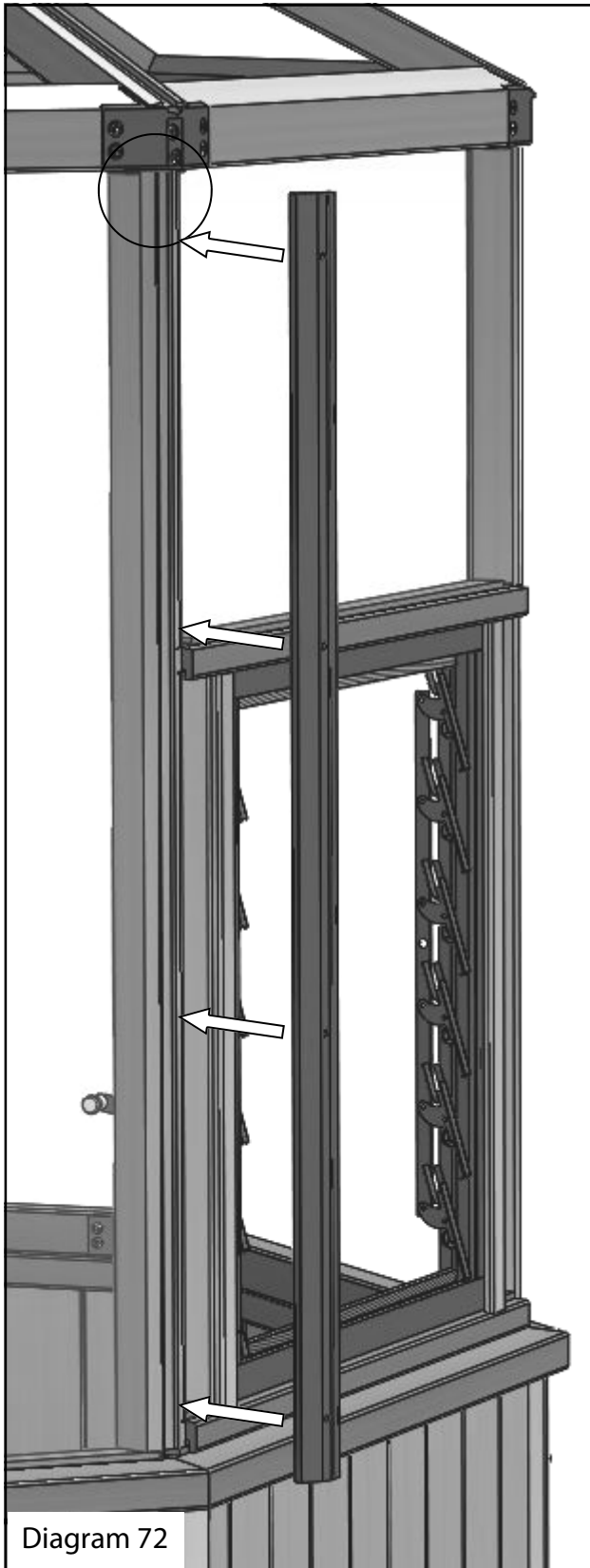
Glazing (part 1)

If you have the optional aluminium bar capping you need to insert the rubber into the rubber channels and trim it to length (diagram 69). Begin glazing the sides of the building by inserting one of the narrow panes (EV610x76) next to the louvre frame. If you have the louvre in the mid level position as below you also need to install the glass above the louvre (EV795X392).



Glazing (part 1)

Before you install the large panes it helps to place each bar capping around the building ready for installation. When ready, insert the large side pane next to the louvre (diagram 71). If this is difficult try loosening off the middle screws on the eaves bracket indicated by the arrows on diagram 73. Remember to tighten all the screws after glazing the sides, but don't over tighten them!



With the large pane in position you can now install the first piece of bar capping. This capping is fitted to the glazing bar with 40mm Pan head screws and should be as far down the glazing bar as possible, touching the mid rail. This will leave a gap at the top, as shown in diagram 81.

Glazing (part 1)

Keep working your way round the building towards the door inserting a piece of glass followed by bar capping to secure it and the previous pane.

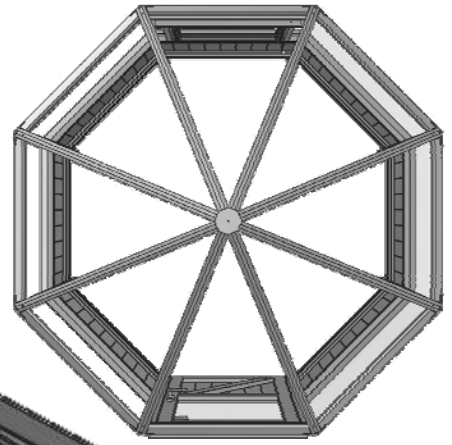
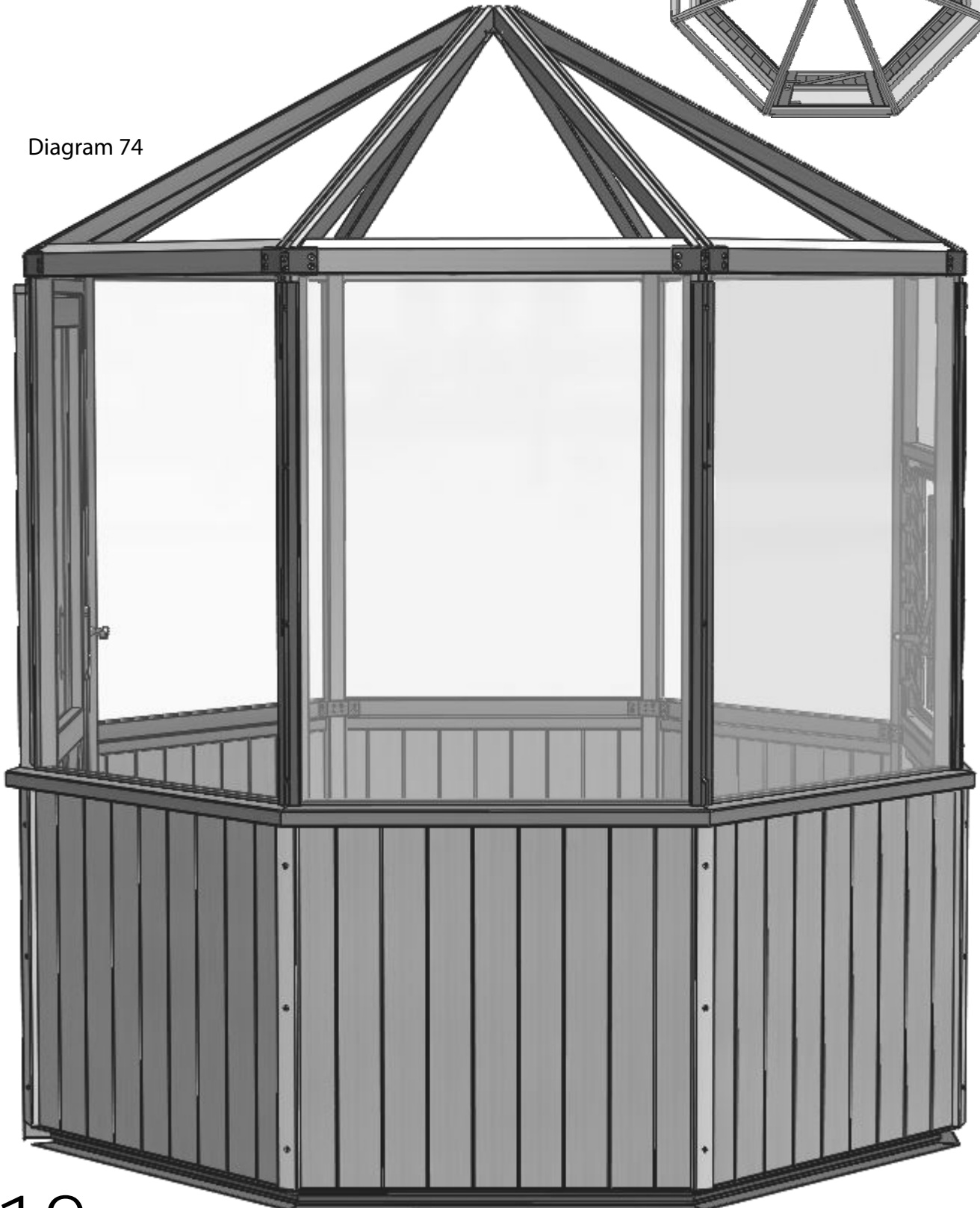
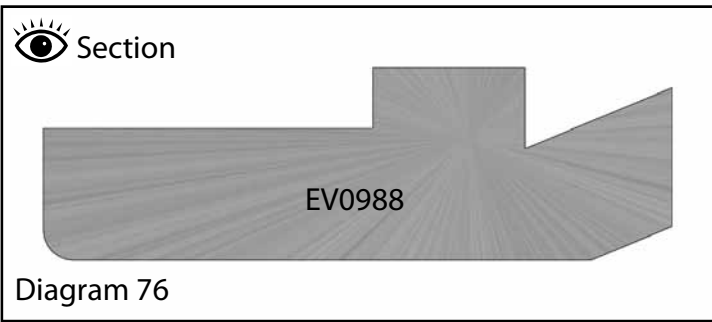


Diagram 74

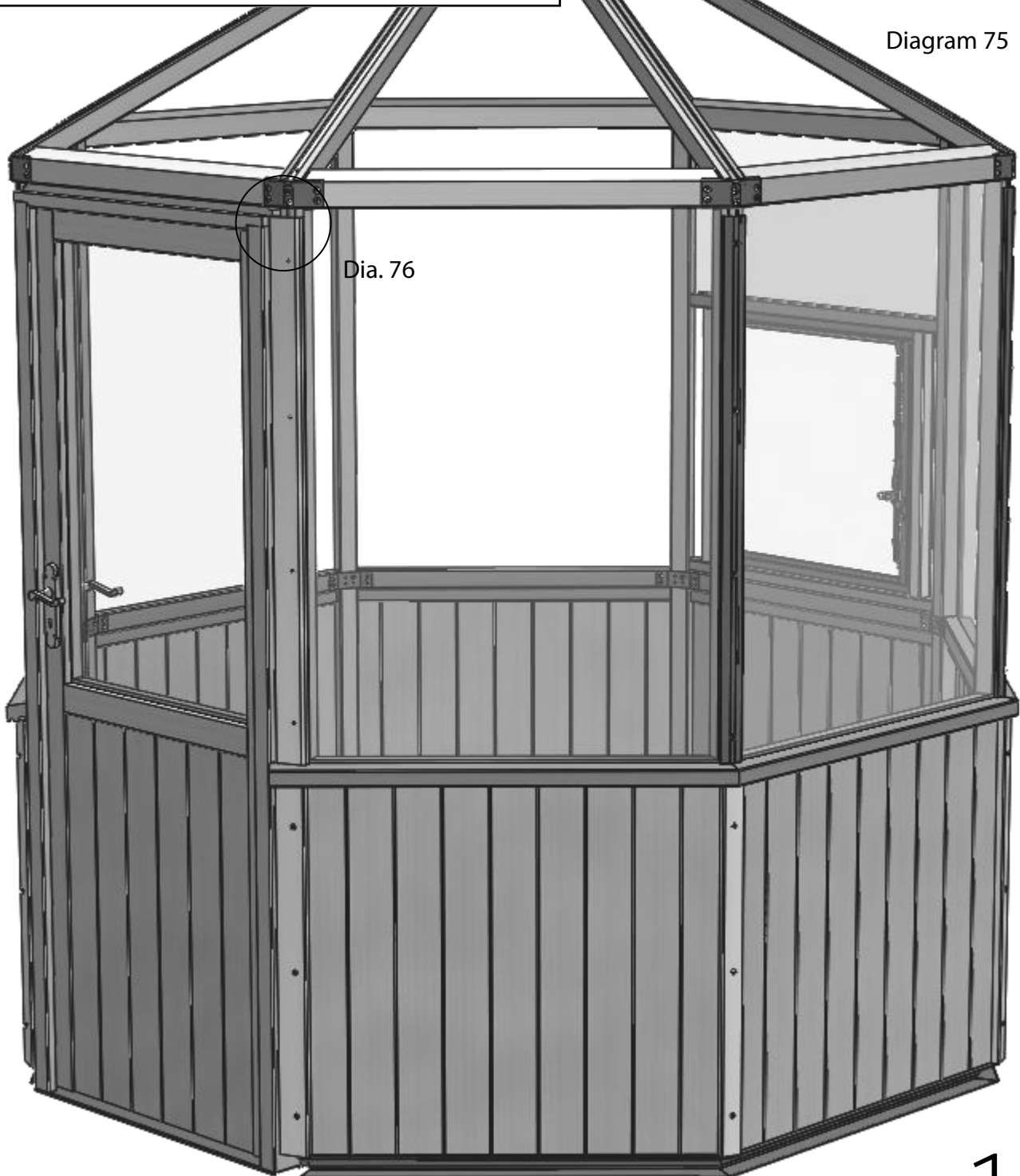


Glazing (part 1)



The capping used either side of the door is always cedar, even if you have the optional aluminium capping. Diagram 76 shows you how to orientate the capping for installation before fixing with 40mm Pan head screws.

Diagram 75



Glazing (part 1)

Repeat the glazing procedure on the other side of the building, starting with the narrow pane next to the louvre frame and working round to the door.

As before, diagram 78 is showing you how to orientate the capping for installation.

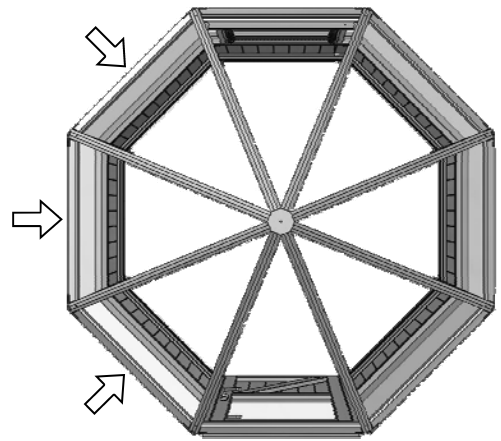
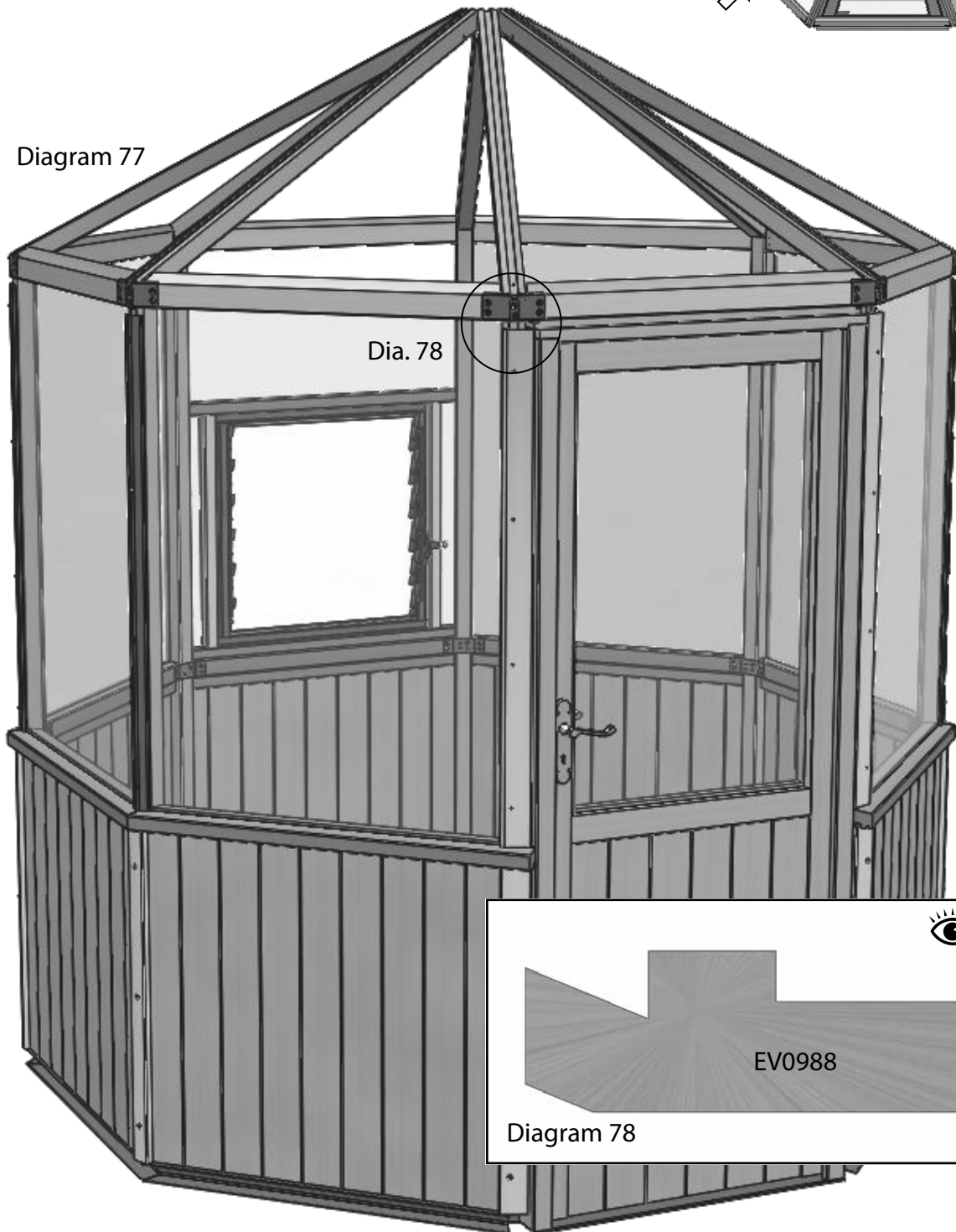


Diagram 77



Gutter Installation

One section of the guttering has holes ready for the downpipe, all the other sections are identical. Decide where you would like the downpipe before starting and leave a space for this section as you install the other sections.

The first section of gutter to be installed goes above the door. Make sure the ends of the gutter are evenly spaced between the centre point of the eaves bracket (diagram 80). Once you are happy with the position you can fix it in place with 25mm Pan head screws EV0331).

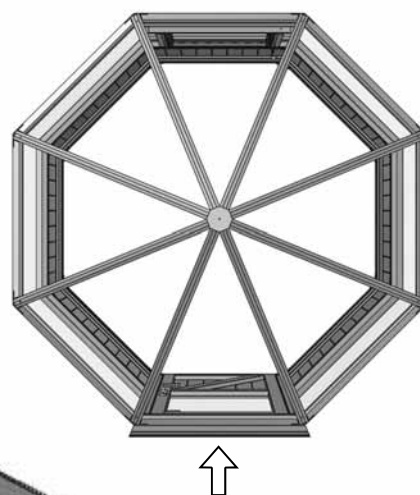


Diagram 79

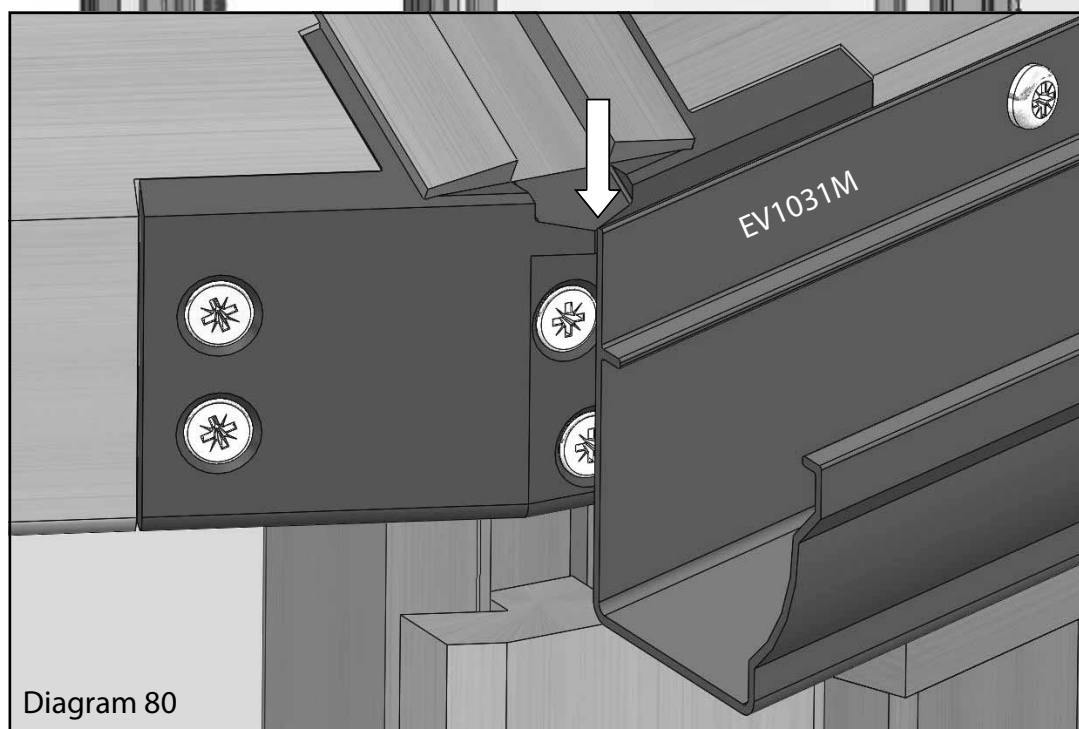
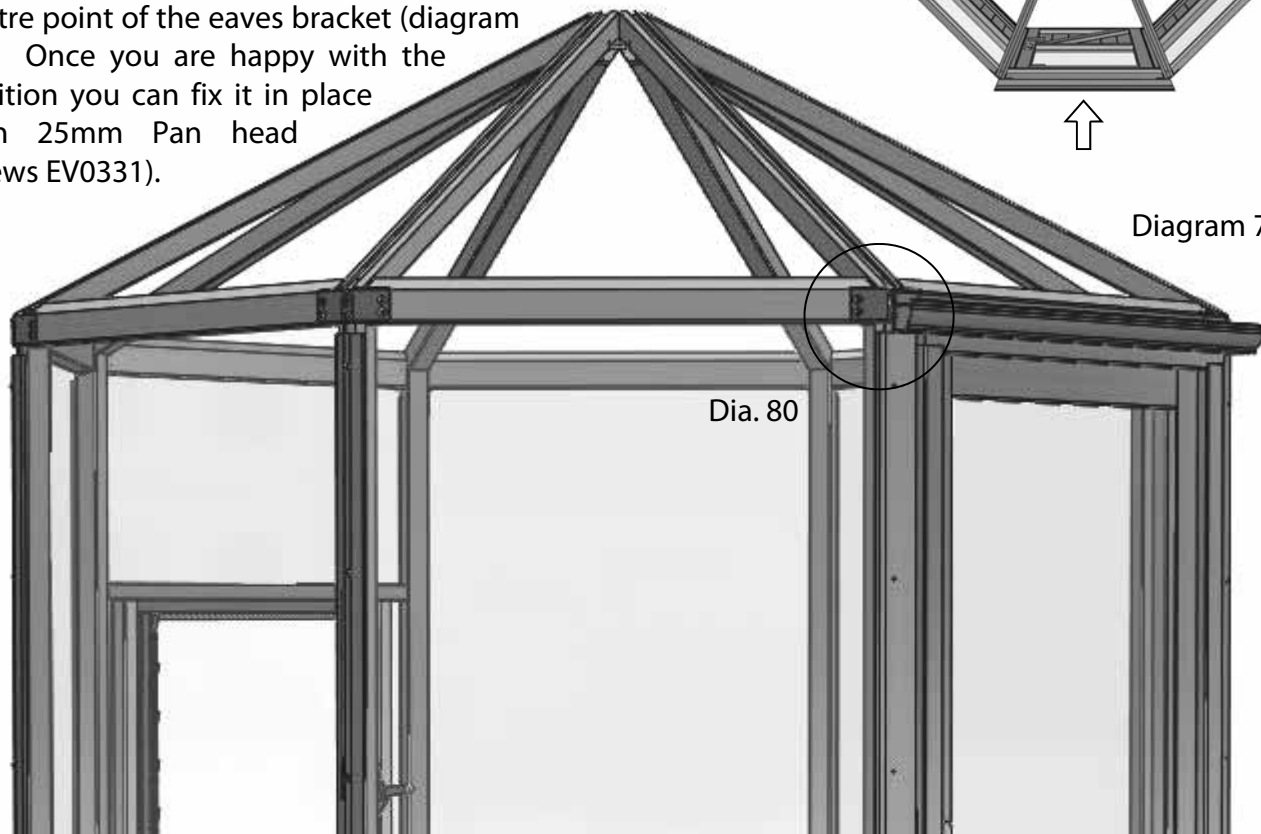
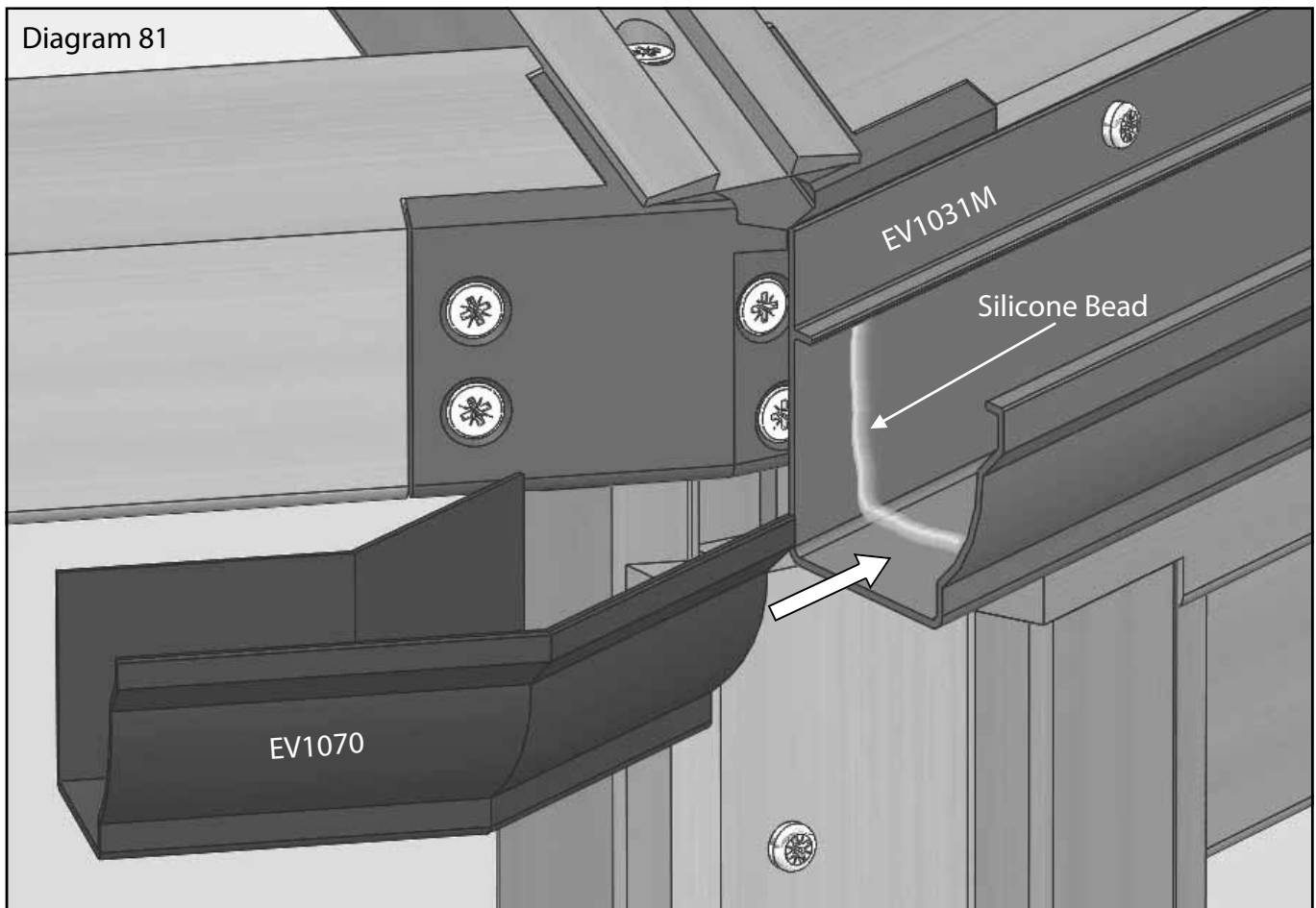


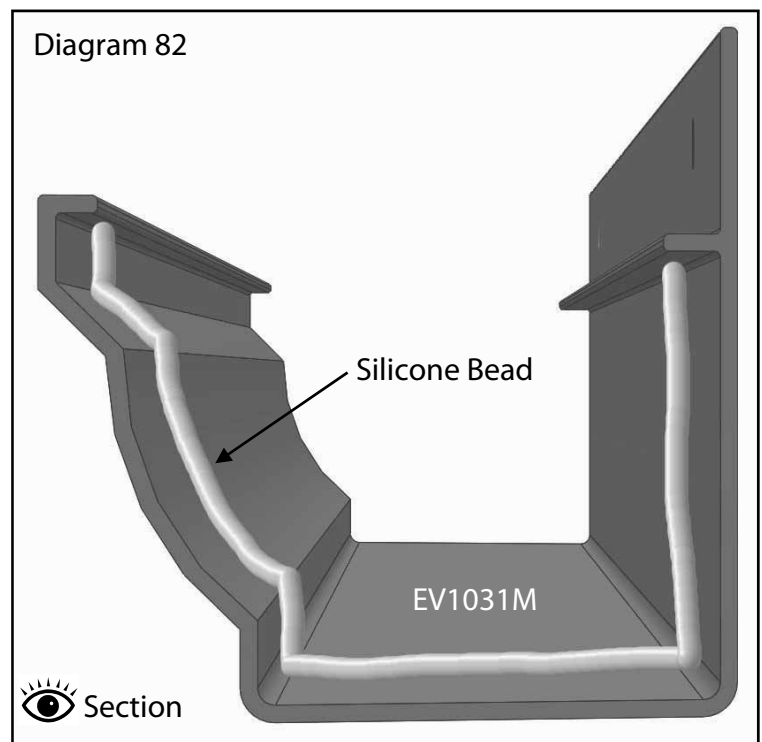
Diagram 80

Gutter Installation



Next you need to apply a bead of silicone to the internal surfaces of the gutter section (diagram 81). You can then insert the first gutter joint (EV1070). Slide this in until the corner in the middle of the gutter joint meets the end of the gutter.

With this in place you can now prep the next section of gutter. Apply another silicone bead to the end that will slide onto the gutter joint (diagram 82).



Gutter Installation

Keep repeating this process working from the front to the rear on each side leaving a gap where you would like the downpipe section to be.

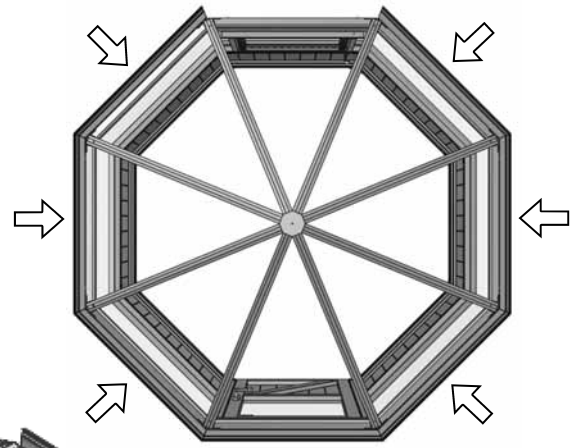
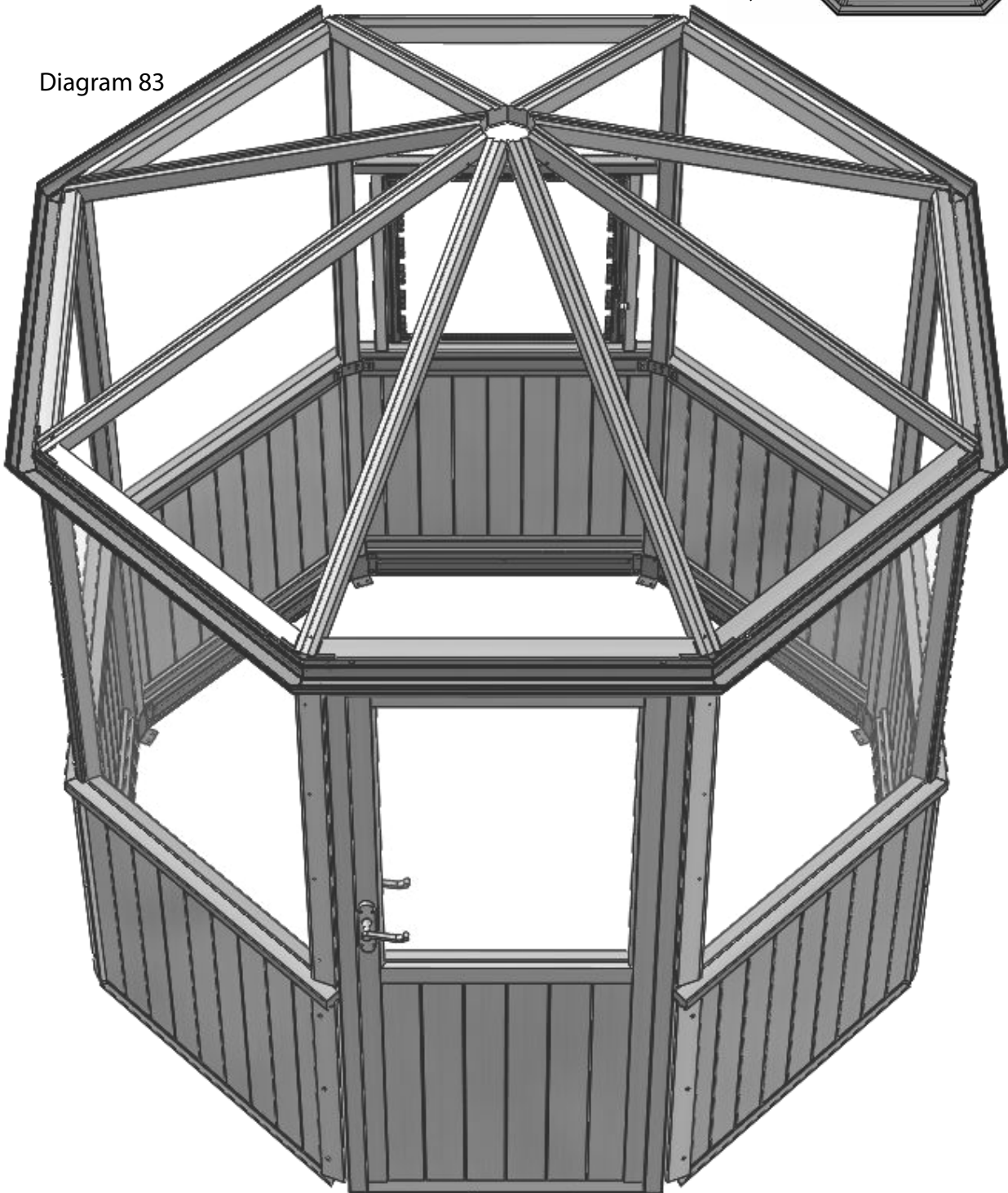
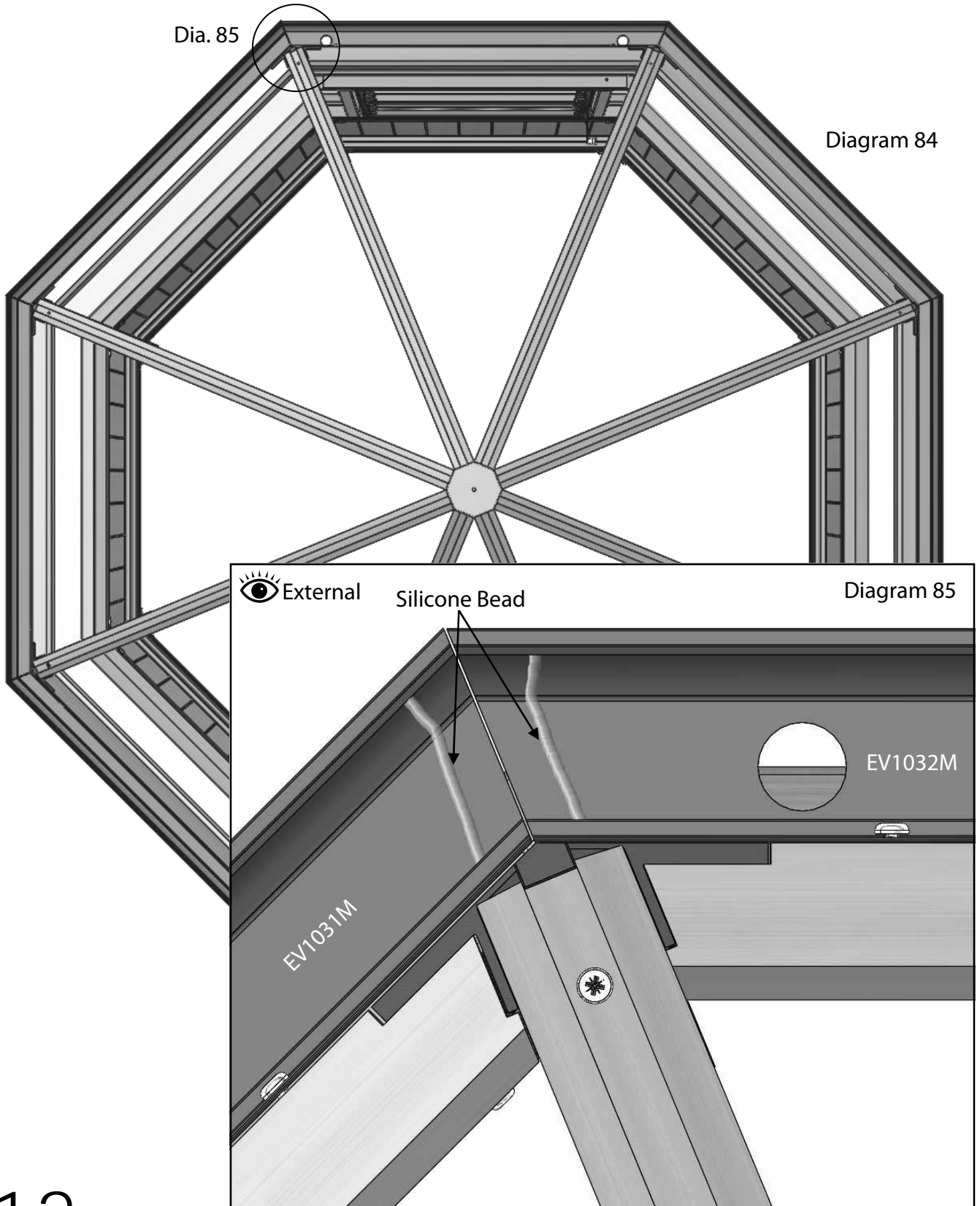


Diagram 83



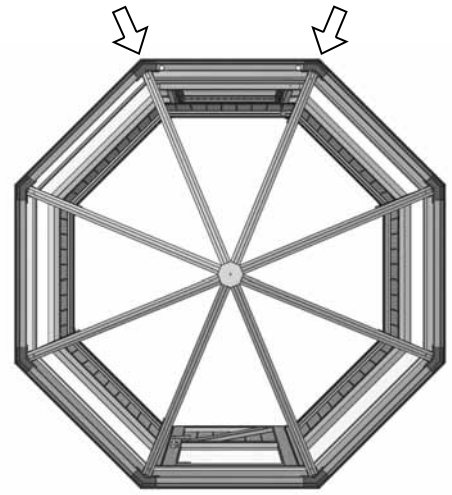
Gutter Installation

Offer up the final section (EV1032M), if any adjustment needs to be made you can do this now. When you're happy with the fit, add a bead of silicone to both ends then fix the section in place with 25mm round head screws. Make sure you line up both ends as best you can before fixing.



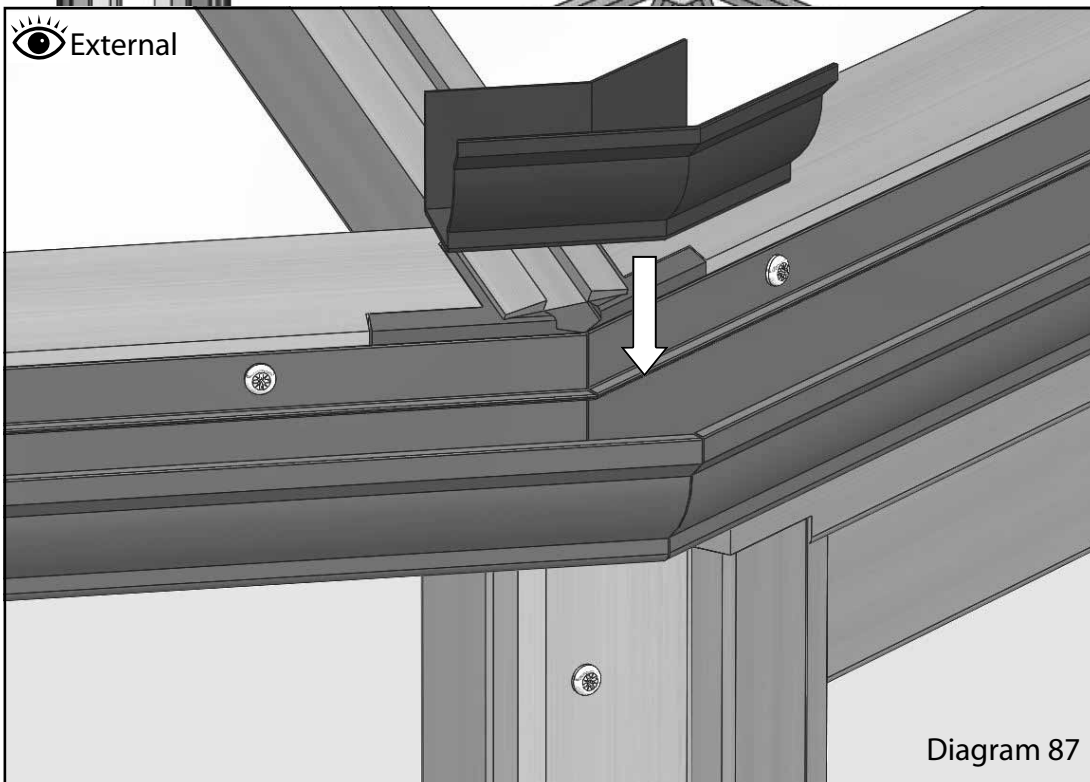
Gutter Installation

Finally you can add the last two gutter joints. With the silicone beads applied to the gutter lower the joint into position, first locating the front edge then push the base of the joint down until the back edge clicks into place.



Dia. 87

Diagram 86



Glazing (part 2)

To glaze the roof you first need to place the glass stops (EV0313M) on the eaves bars. Hang two glass stops per eaves bar as shown in diagram 89. Space these around 100mm in from the roof glazing bars.

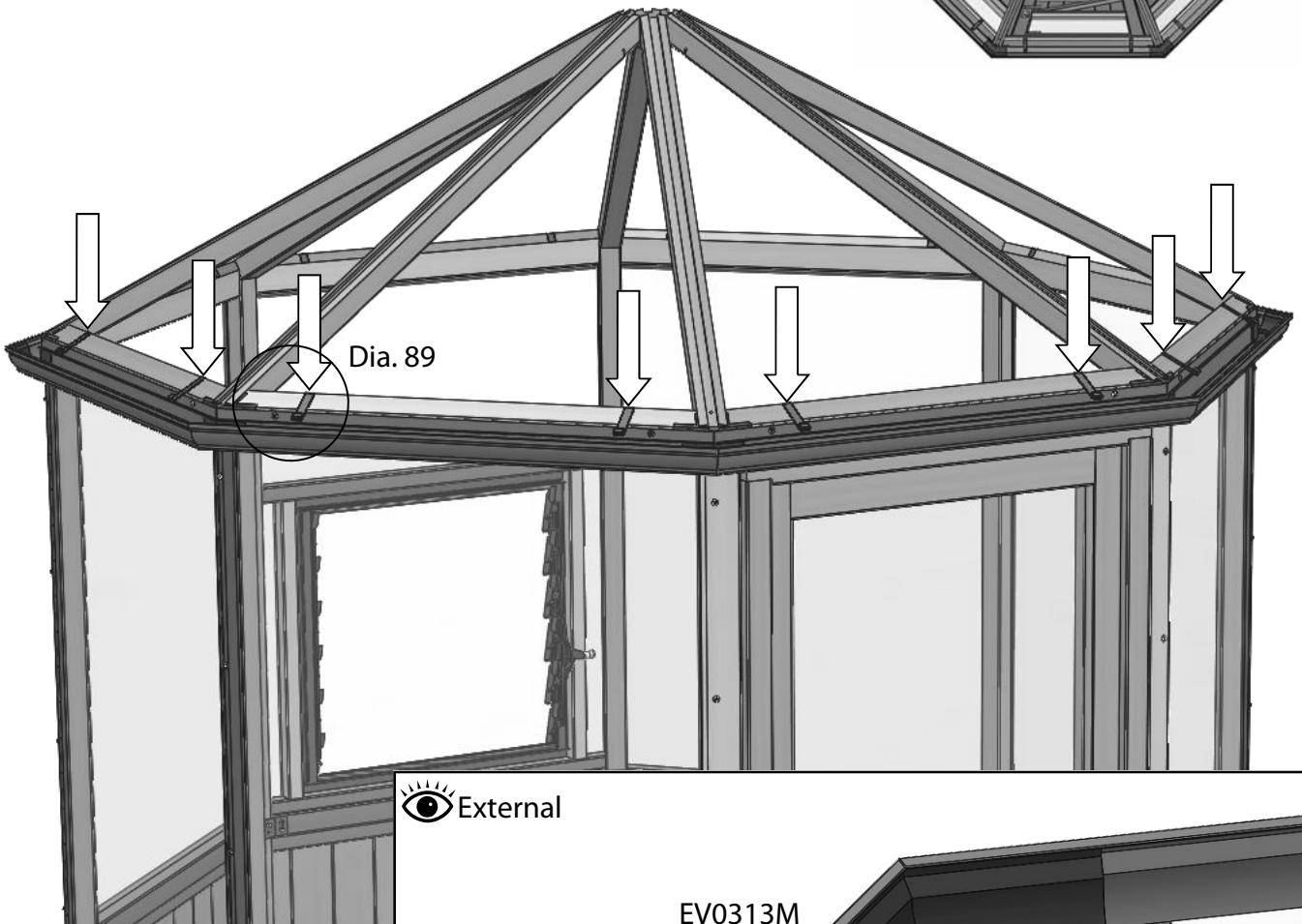
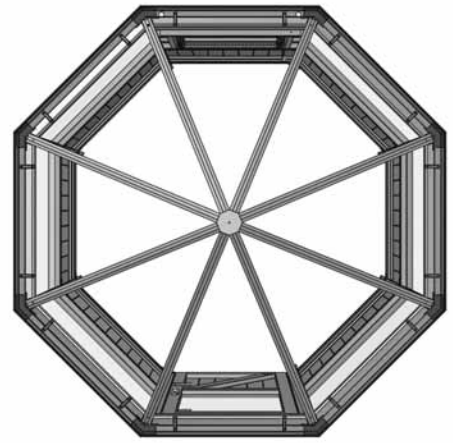


Diagram 88

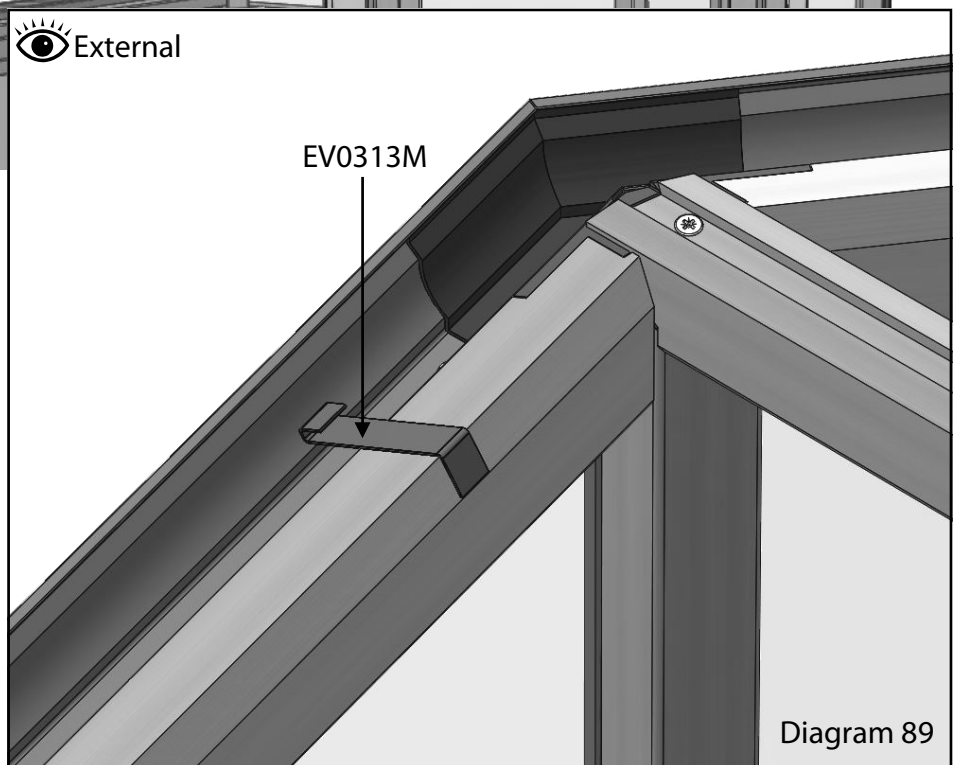
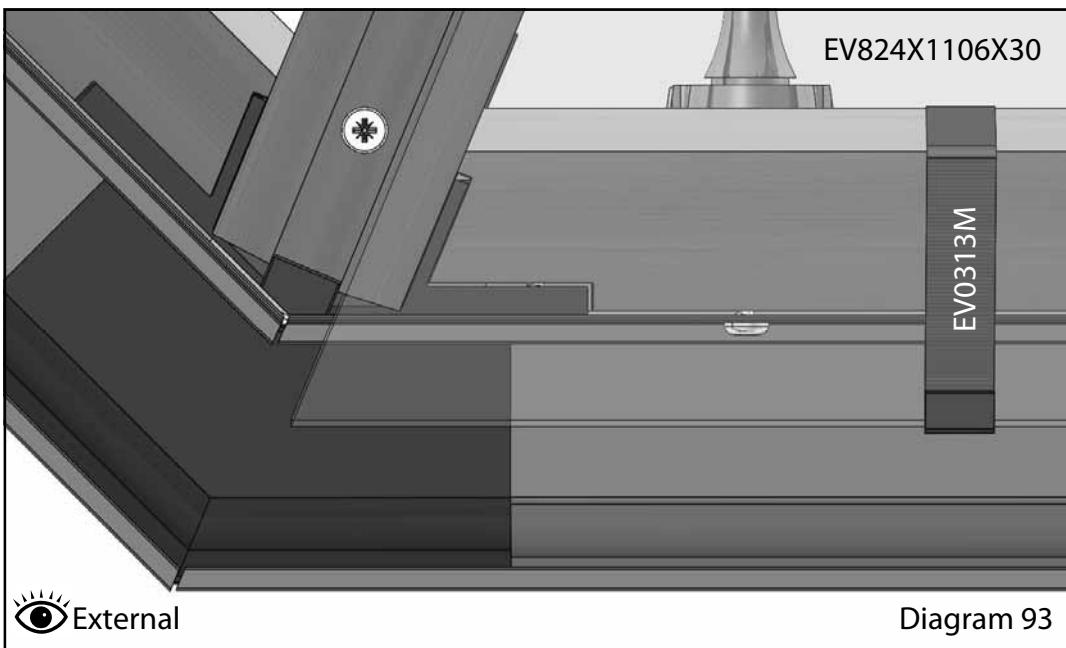
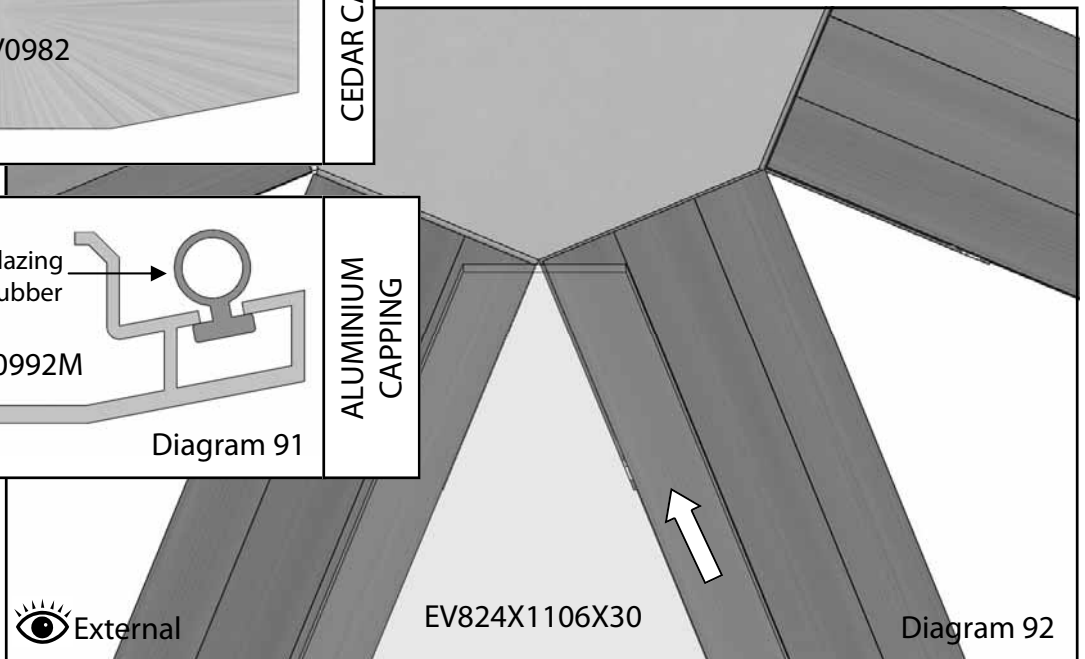
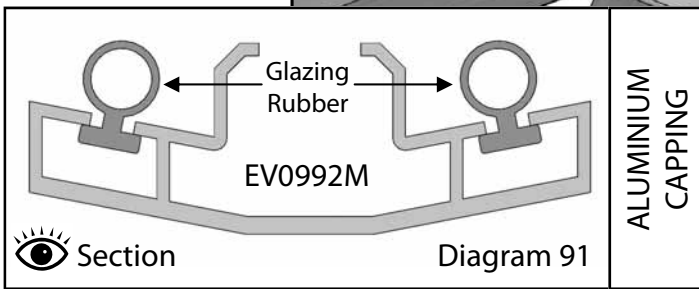
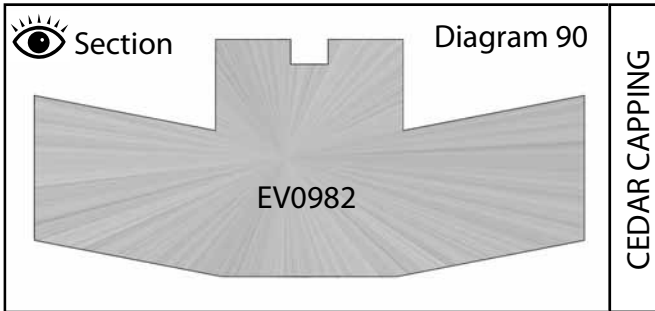
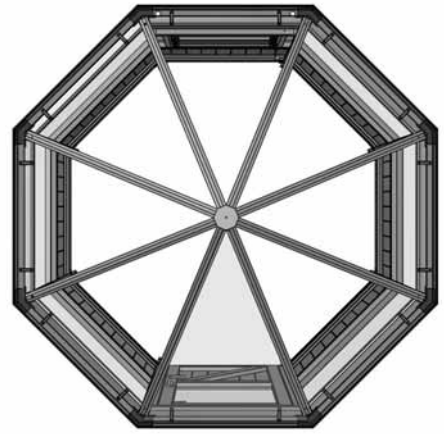


Diagram 89

Glazing (part 2)

Before you start glazing you should place the bar capping around the building again so you have it to hand when needed. If you have the aluminium capping remember to insert the glazing rubber and trim it to length (diagram 91). Slide the first piece of roof glass into place, be careful to support this and try to slide it up one roof bar until it reaches the other. When lowered into the glass stops the glass should fit either side of the rebate in the roof bar (diagram 92).



Glazing (part 2)

After placing the first pane of glass you can fit the next one along, once you have 2 panes in place you can fit the first piece of capping securing both panes with 40mm Pan head screws. Repeat this around the building until all the roof panes and capping is in place.

If you haven't already done so you can now install the louvre glass. Carefully slide each piece into the glass retainers until it hits the small stop (diagram 95).

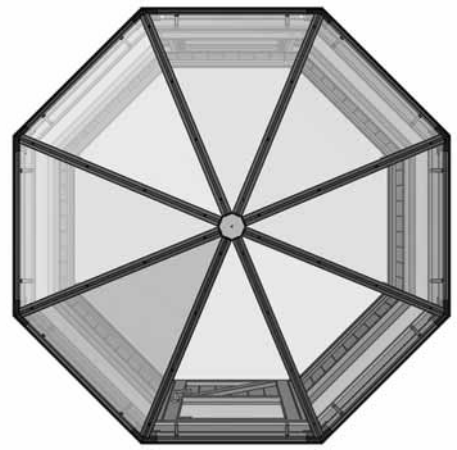


Diagram 94

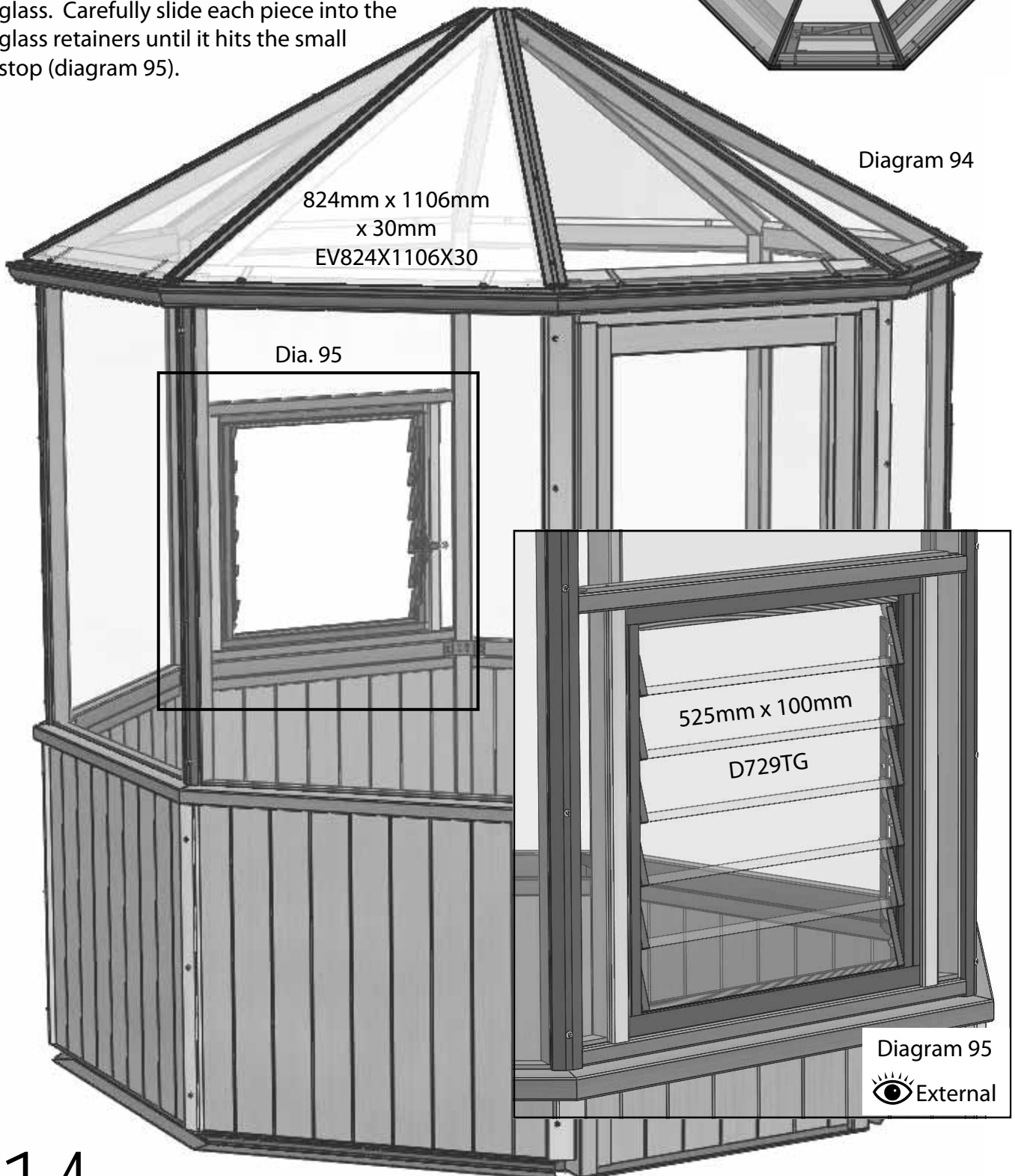


Diagram 95



Roof Cowl and Finial

You need to assemble the cowl and finial before you can install it. Locate the 15mm bolt (HE588) in the smalls pack and push this through the centre hole in the cowl. You then screw the finial ball onto this bolt.

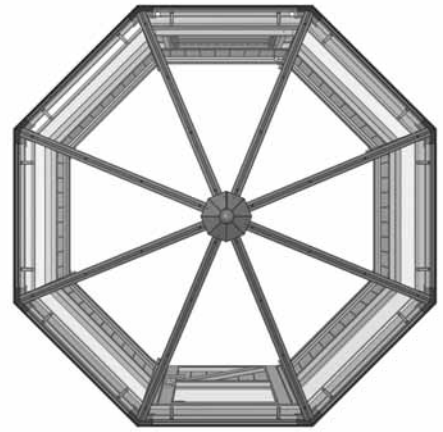
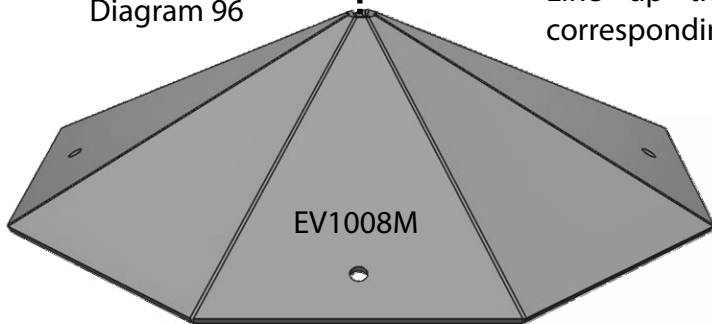


Diagram 96



HE588



Now fix the cowl assembly to the apex of the roof. If you have aluminium capping use the 13mm self drilling screws (EV0329) or if you have cedar capping just use 25mm round head screws (EV0331).

Line up the 4 holes with the centre line of each corresponding glazing bar and screw in place (diagram 98).

Diagram 97

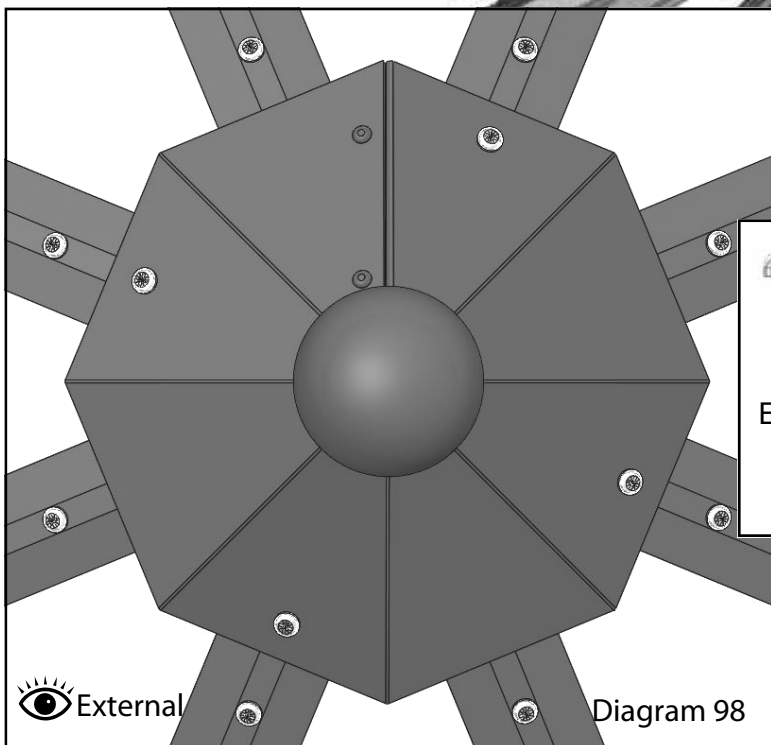
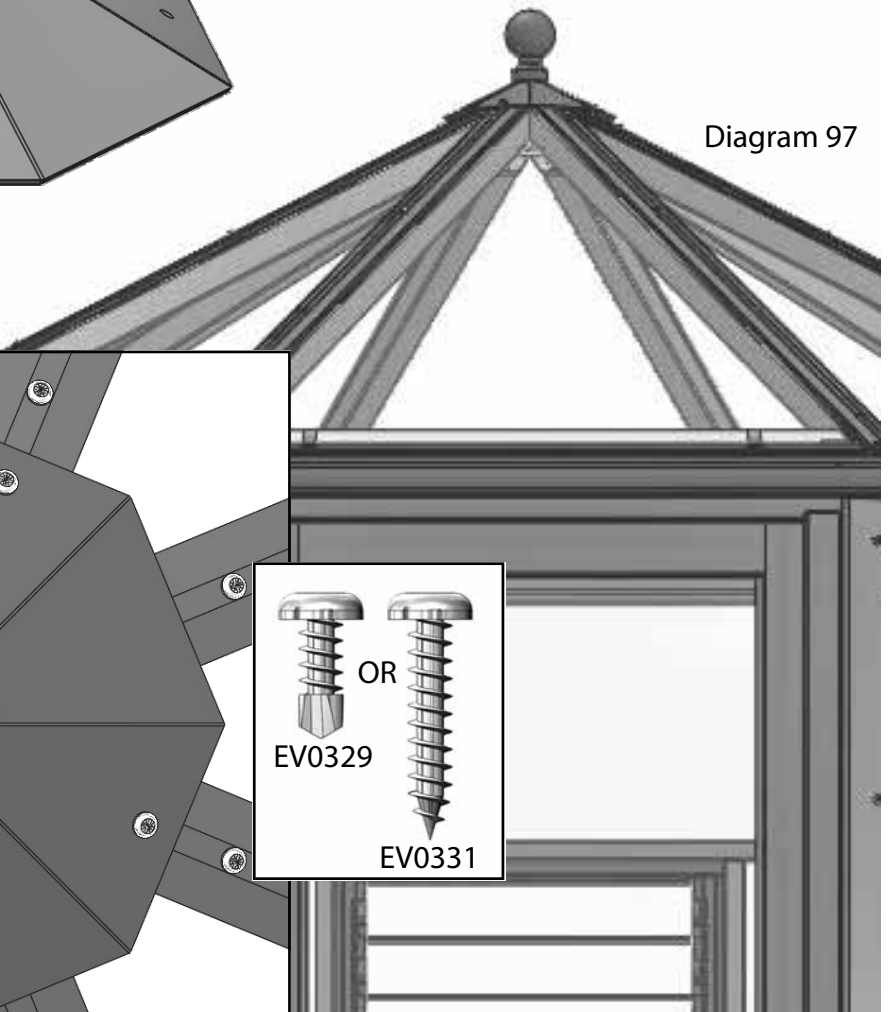
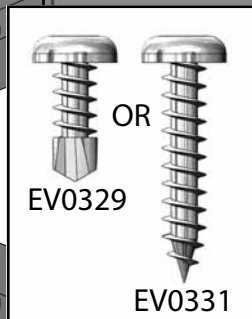
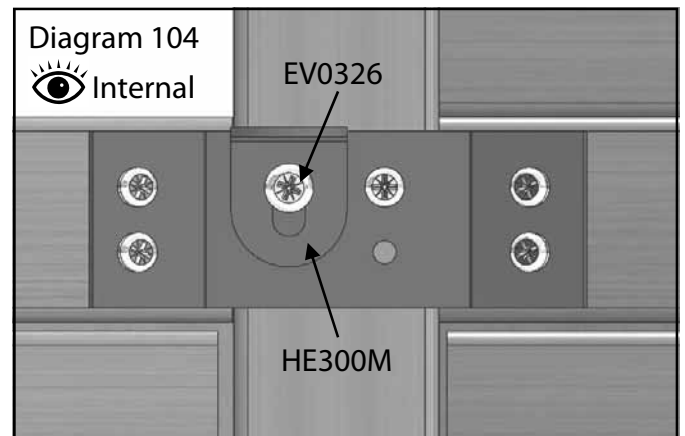
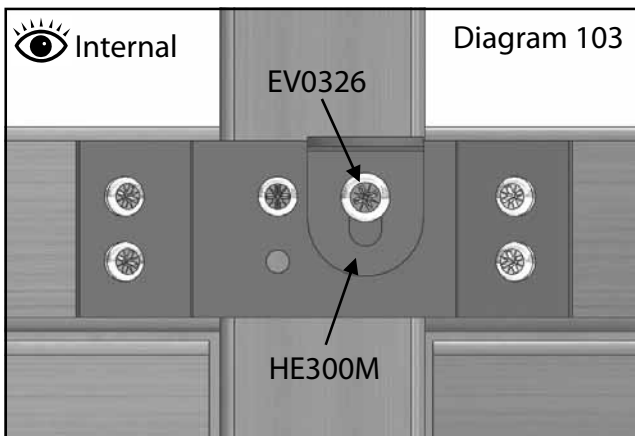
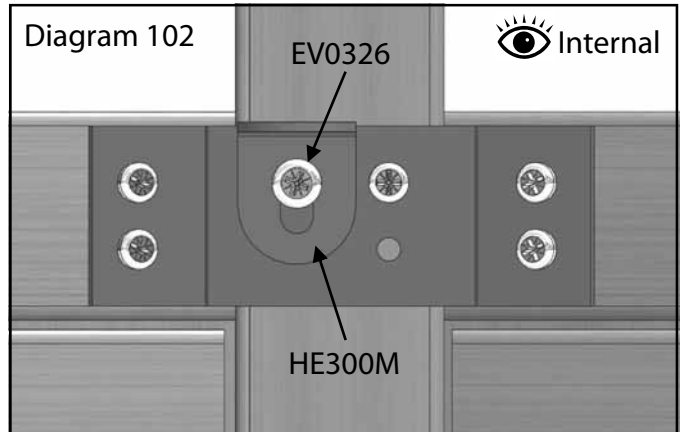
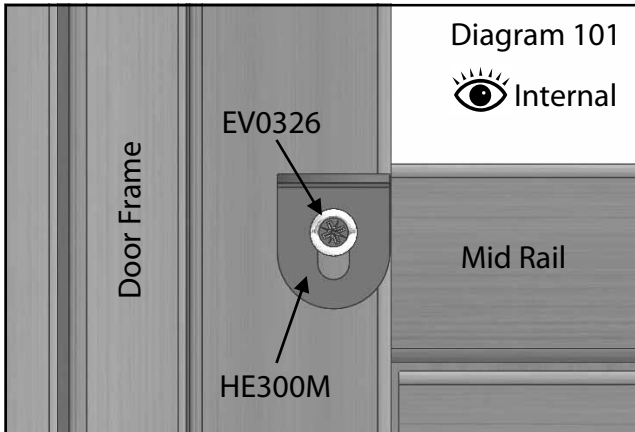
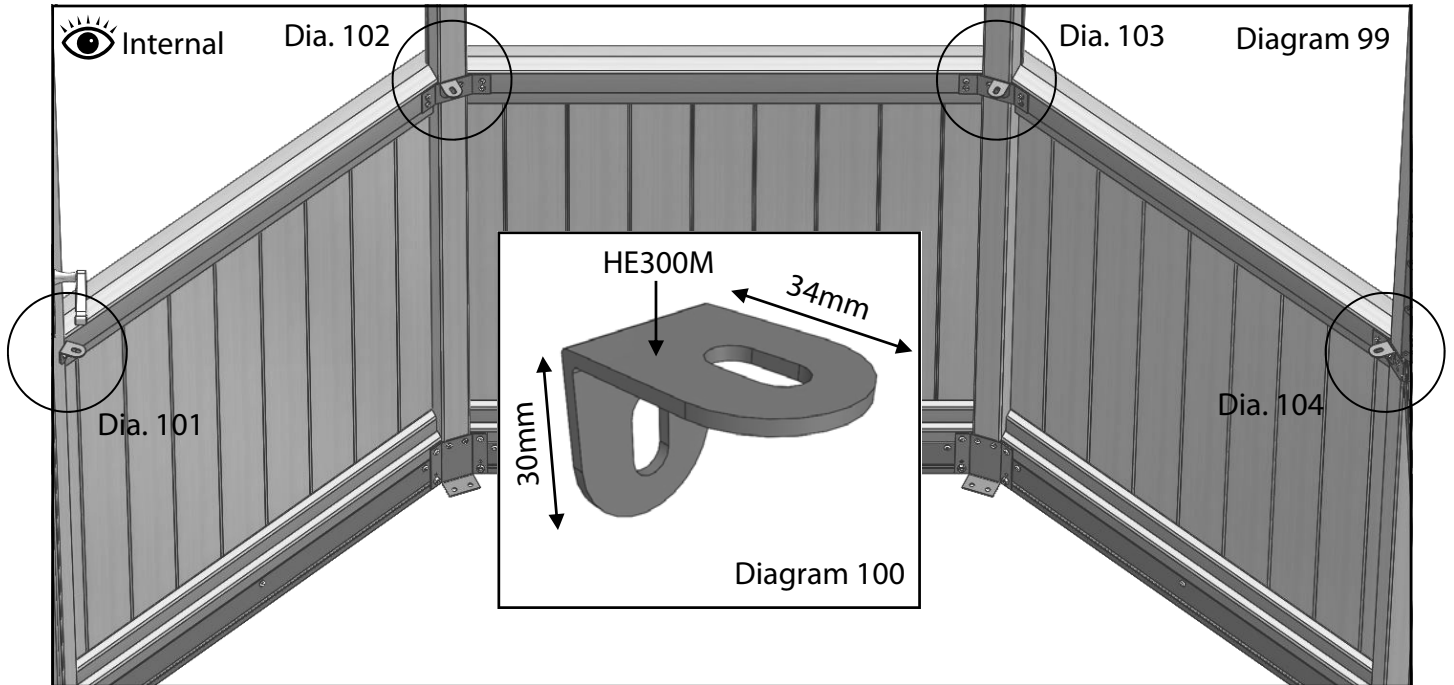


Diagram 98



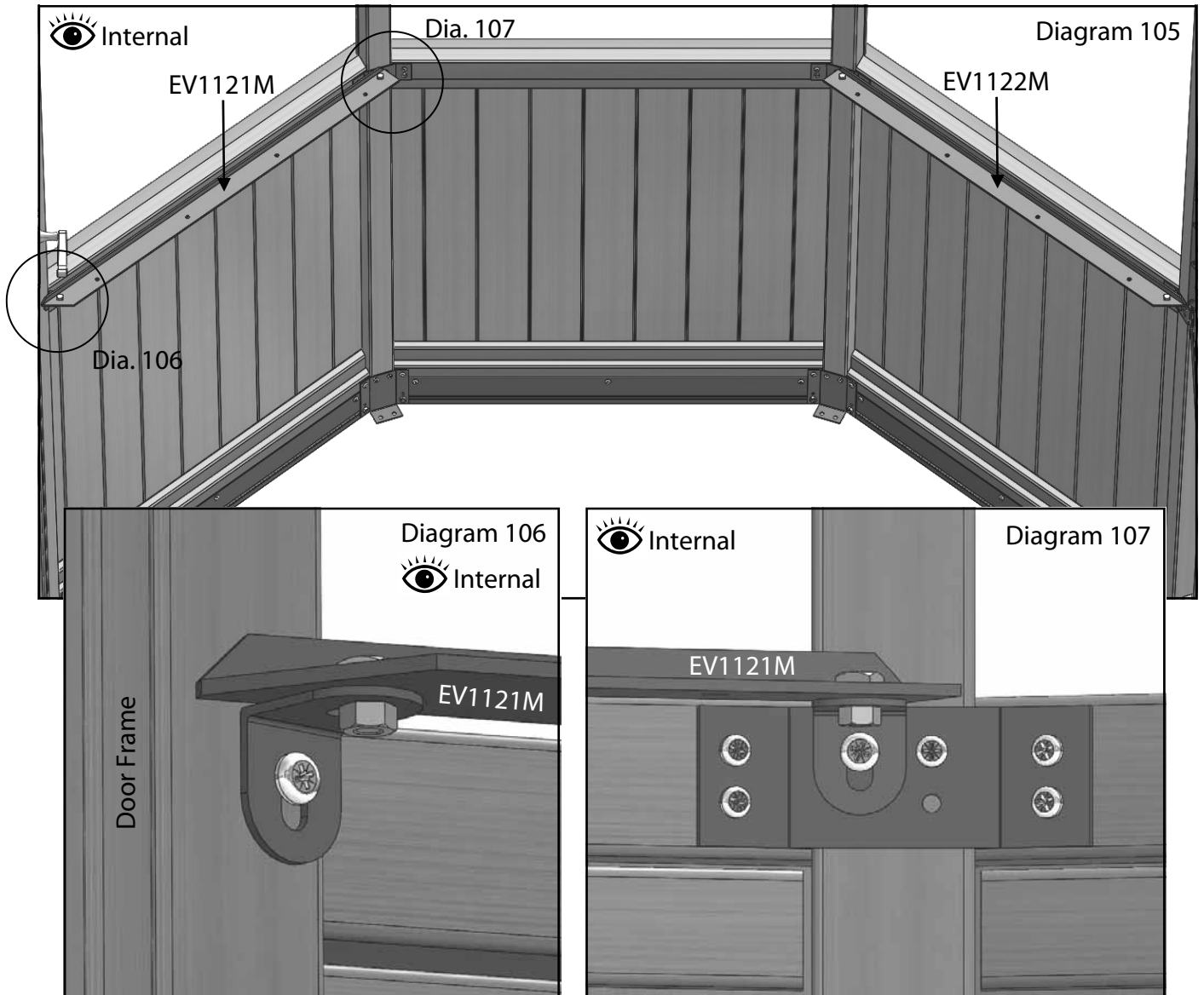
Staging Installation

Position each bracket (HE300M) as shown in the diagrams below, the shorter tab fixes to the side of the greenhouse (diagram 100). Always use the large head 25mm screw supplied for the staging brackets and supports (EV0326).



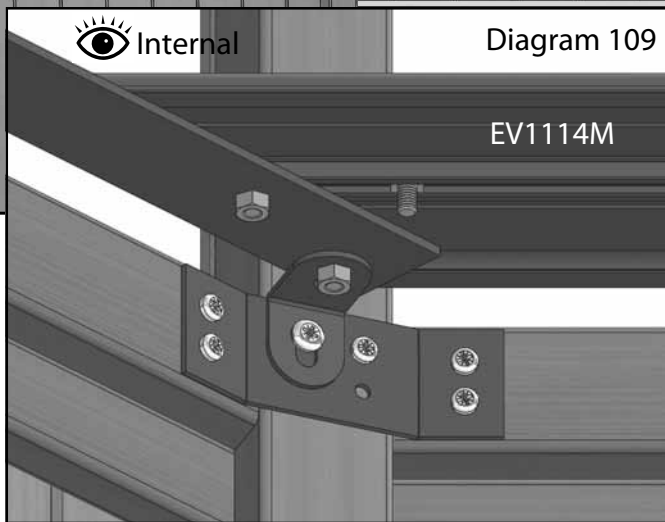
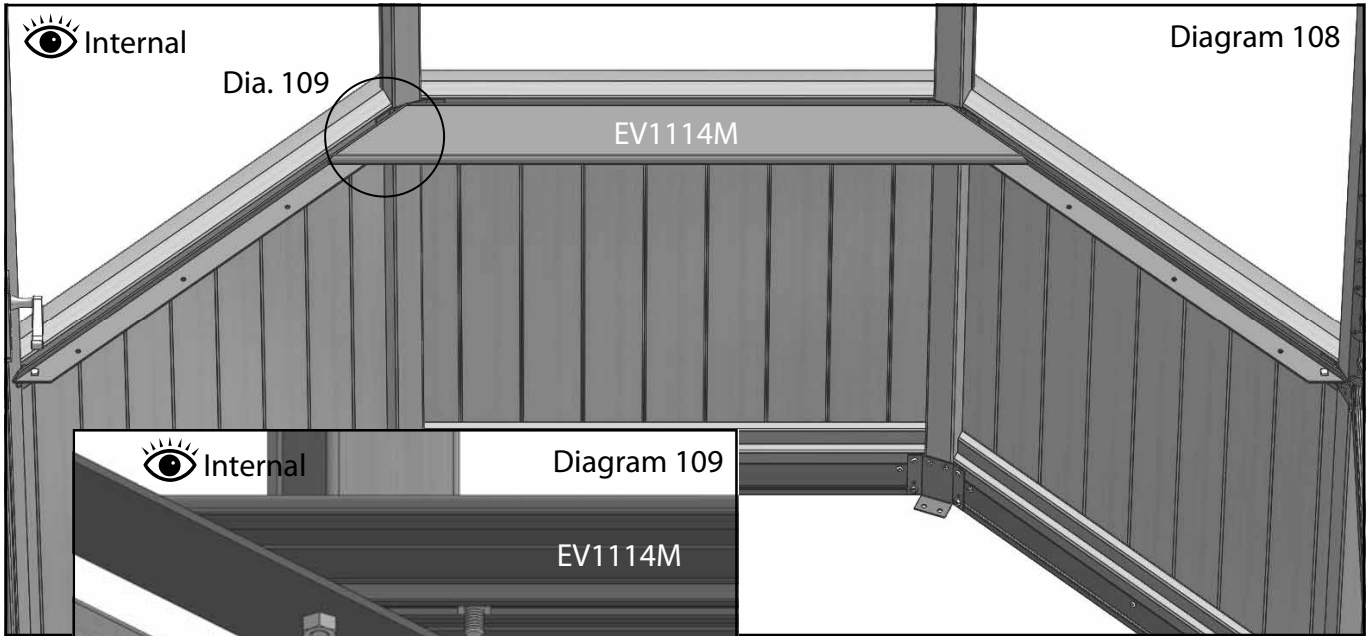
Staging Installation

Now attach the outer staging arms (Left - EV1121M and Right - EV1122M), These bolt to the HE300M brackets with a 10mm bolt (HE576) and nut (HE579) as shown in diagram 106 and 107. If you struggle to line the holes up try loosening the screws, fix the nut and bolt an then tighten the screw again.

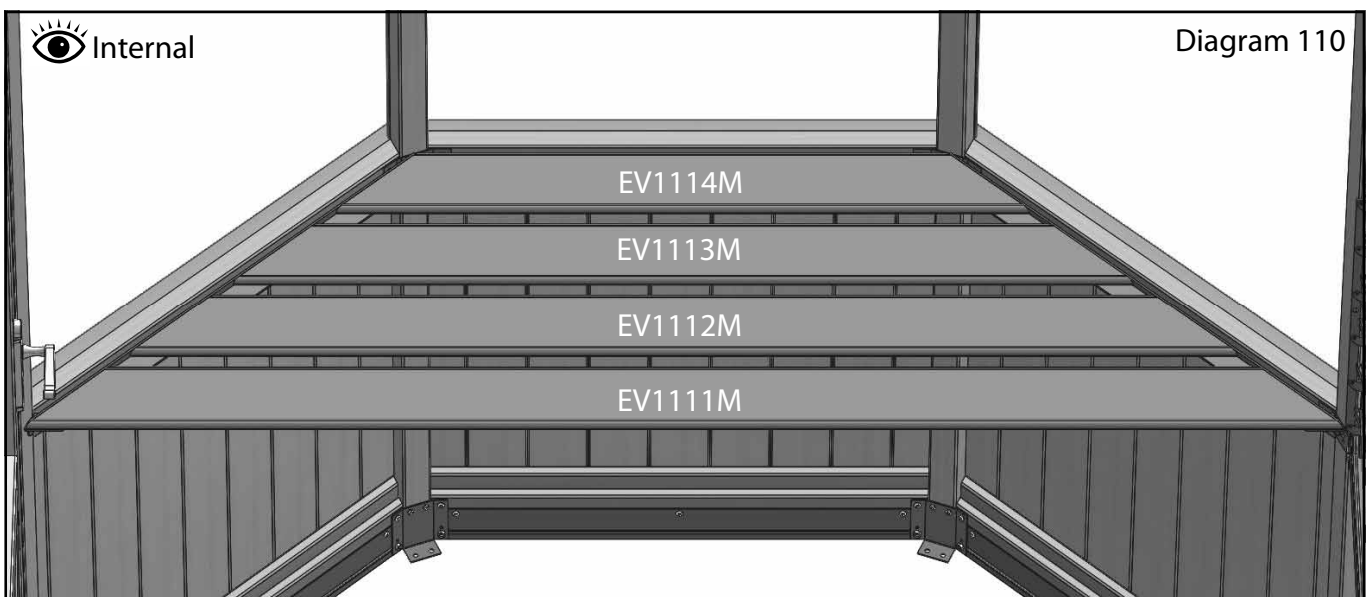


Staging Installation

You can now start to install the staging slats. Each slat needs 4 x 10mm bolt (HE576) sliding down the bolt channel on the underside. Its easiest to lay the slat topside down to do this, then turn it over to position it. The two bolts closest to the ends locate with the holes in the staging arms (diagram 109). The longest slat (EV1111M) nearest to the middle of the greenhouse needs 5 x 10mm bolts.

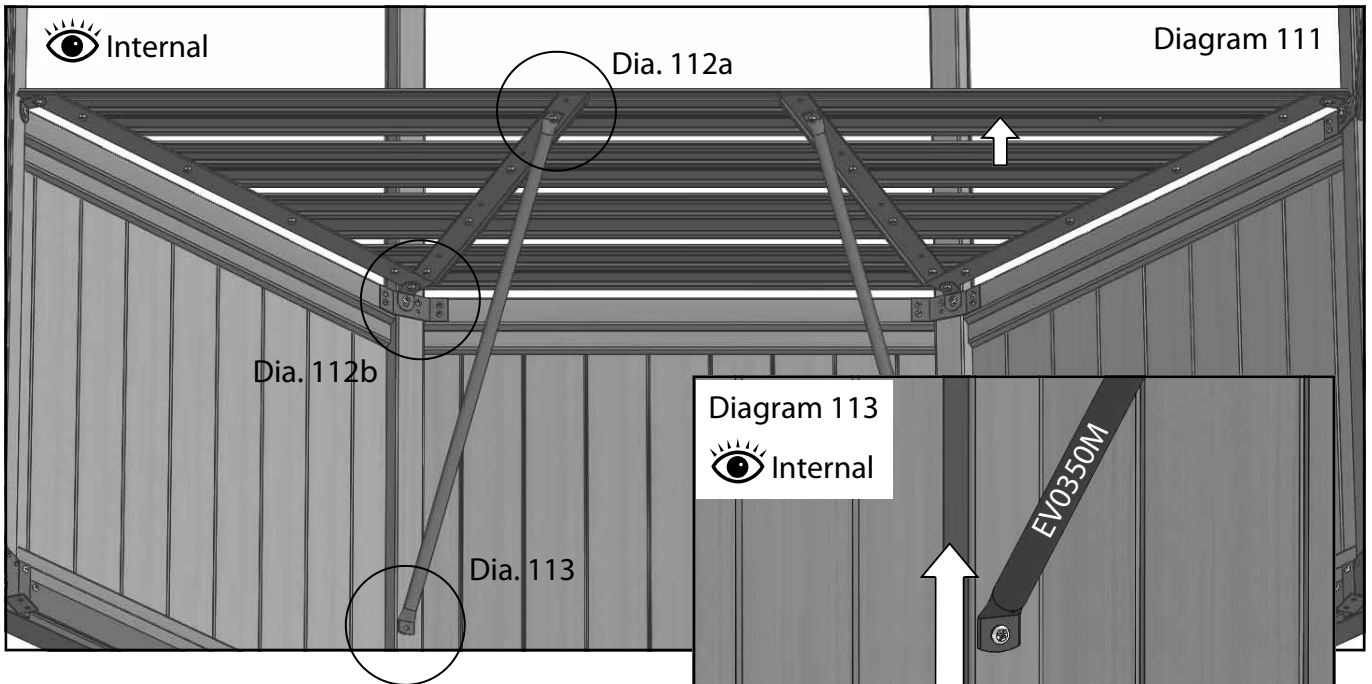


The ends of the slats should line up with the staging arm, if they don't then this suggests the building is out of square. Try adjusting the position of the base until the slats line up.

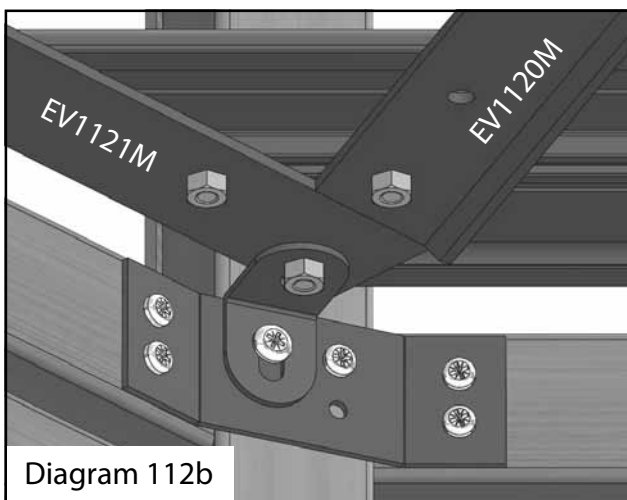
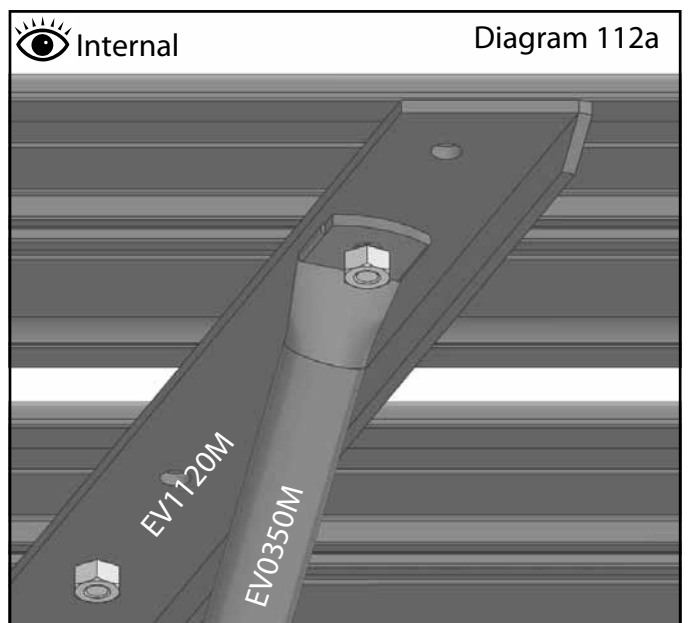


Staging Installation

You now need to bolt the internal arm (EV1120M) onto the underside of the slats (diagram 111). This uses the extra bolts you inserted earlier. Loosely fit the nuts for now. Before attaching the internal arm to the longest slat you also need to attach the diagonal support (EV0350M) to the same bolt. Line the ends of the internal arm up with the front edge of the staging (diagram 112a) and with the outer staging arm at the rear (diagram 112b), once happy with the position tighten all the nuts. The extra bolt in the longest slat should be left towards the rear of the building as this is used to connect the next section of staging (shown by the arrow in diagram 111).

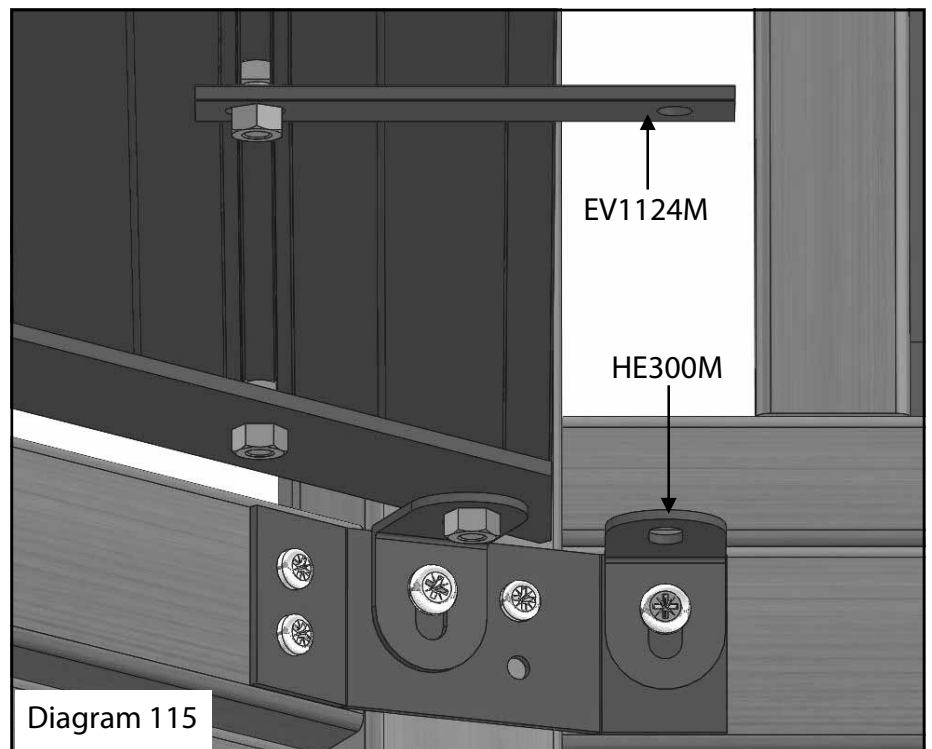
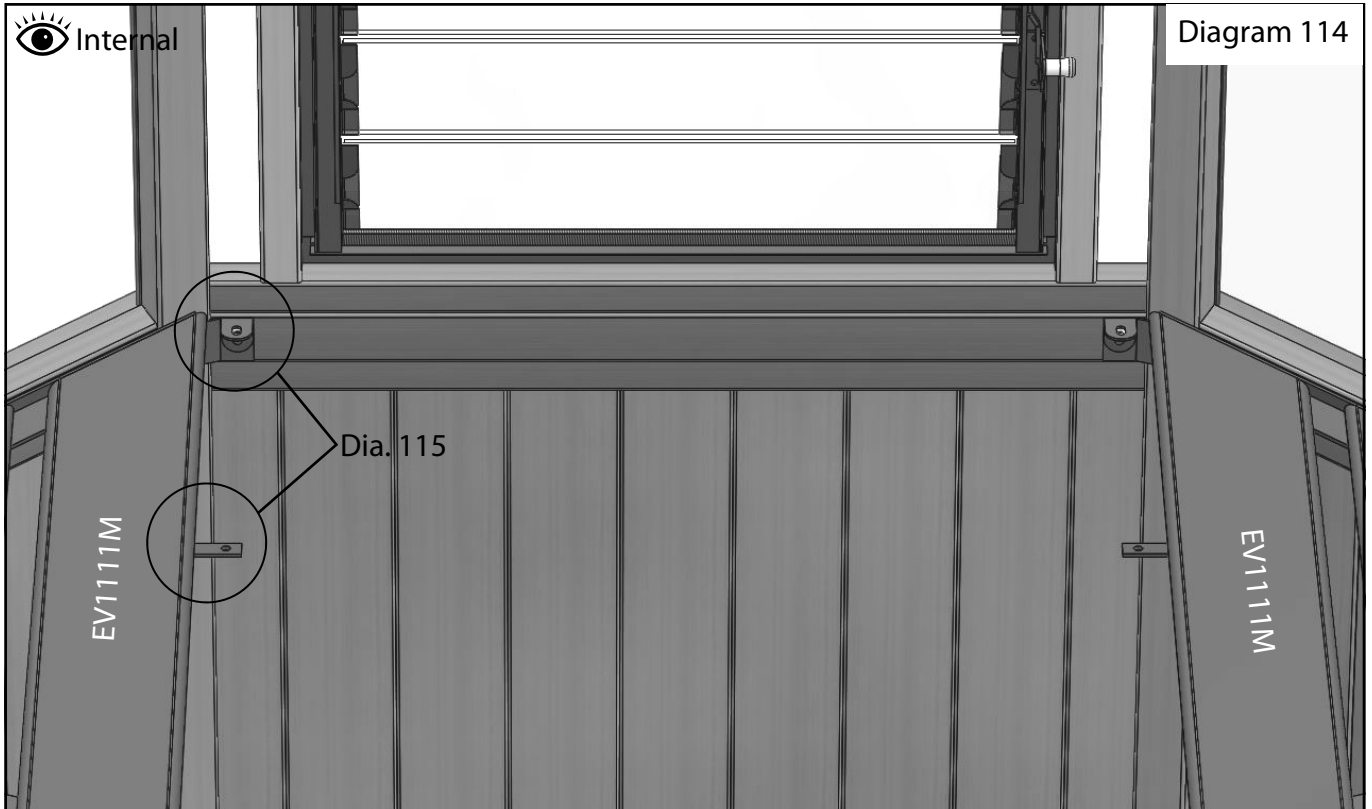


Using a level make sure the staging is flat and level before fixing the diagonal support in place with a large head 25mm screw (diagram 113). Repeat this installation for the other side of the greenhouse.



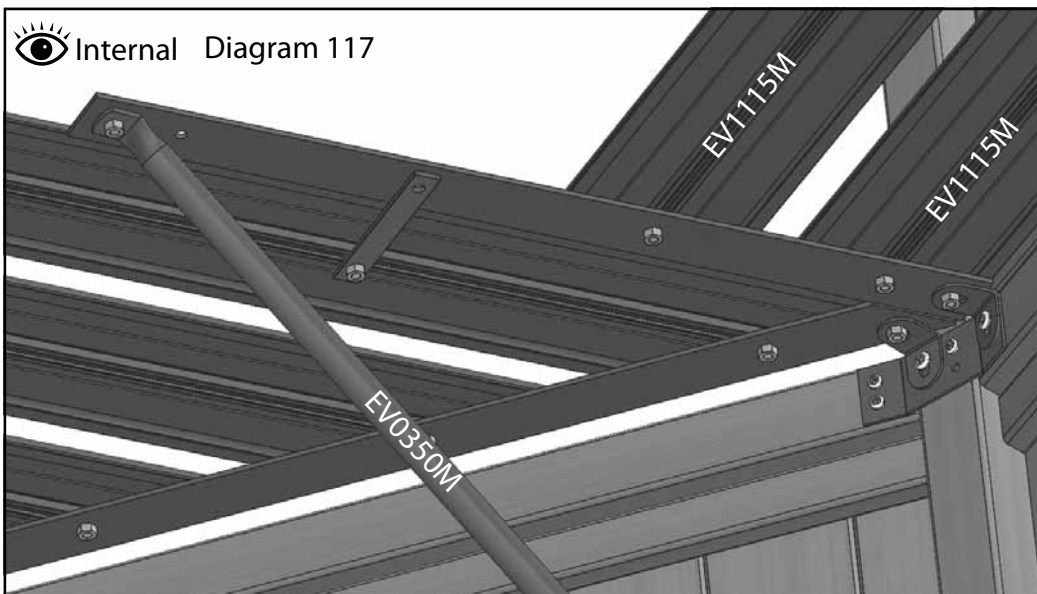
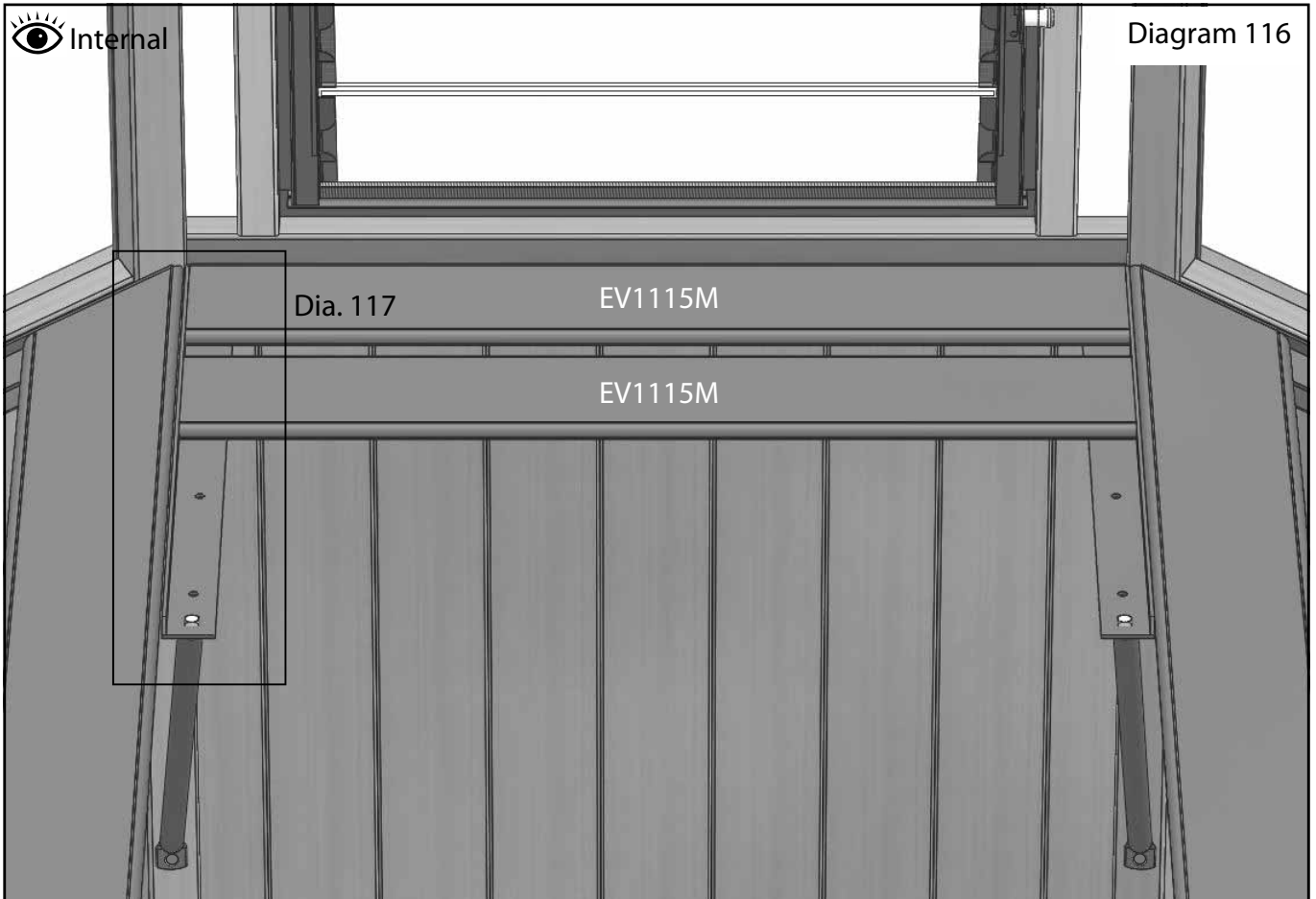
Staging Installation

With both end sections of staging in place you can now fit the infill section. Start by fitting the small brackets (HE300M) to the rear of the greenhouse (diagram 115). You will need to remove the 25mm round head screw to fix the brackets on the rear mid rail. As before fix in place with the large head 25mm screw. Next, attach the staging support bracket (EV1124M) to the extra bolt on the underside of the long slat (diagram 115).



Staging Installation

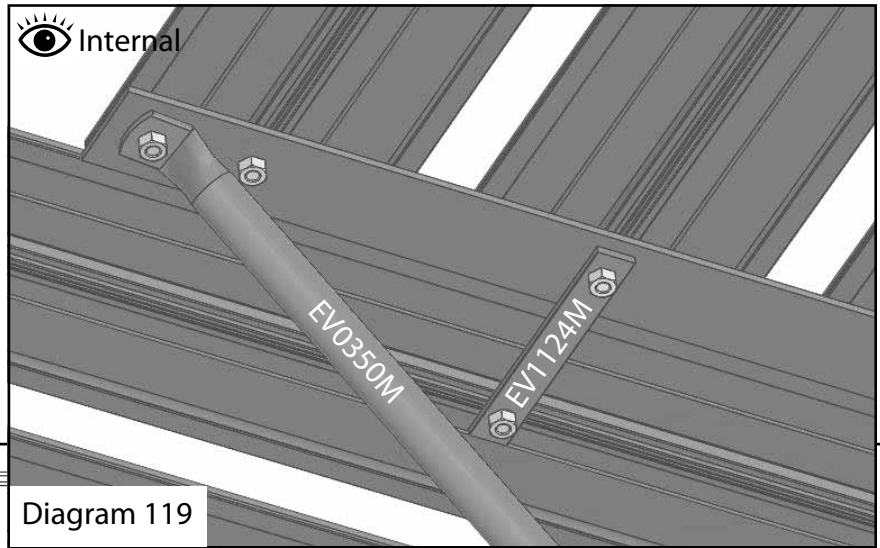
Now fit the infill staging arms (EV1123M) to the small brackets on the rear of the building with 10mm nuts and bolts. Don't fix to the staging support bracket yet, just use this to support the arm while you fit the first couple of slats. Slide a 10mm bolt into each end of two infill staging slats (EV1115M) and position them as shown in diagram 116. Loosely attach these for now as you may need some adjustment.



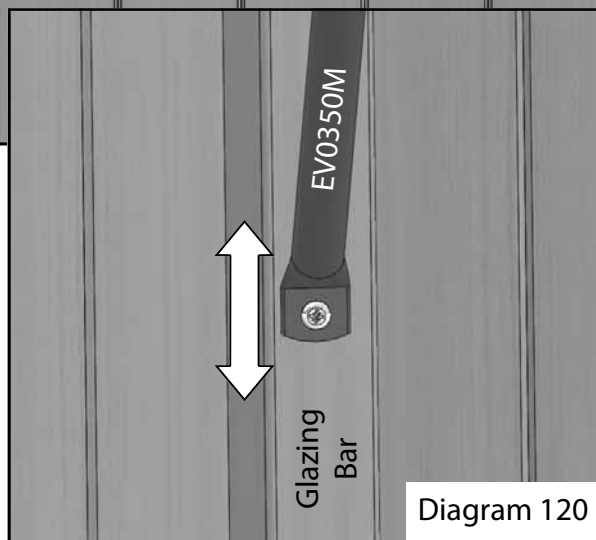
Attach two diagonal supports (EV0350M) to the last hole in the infill staging arm (diagram 117).

Staging Installation

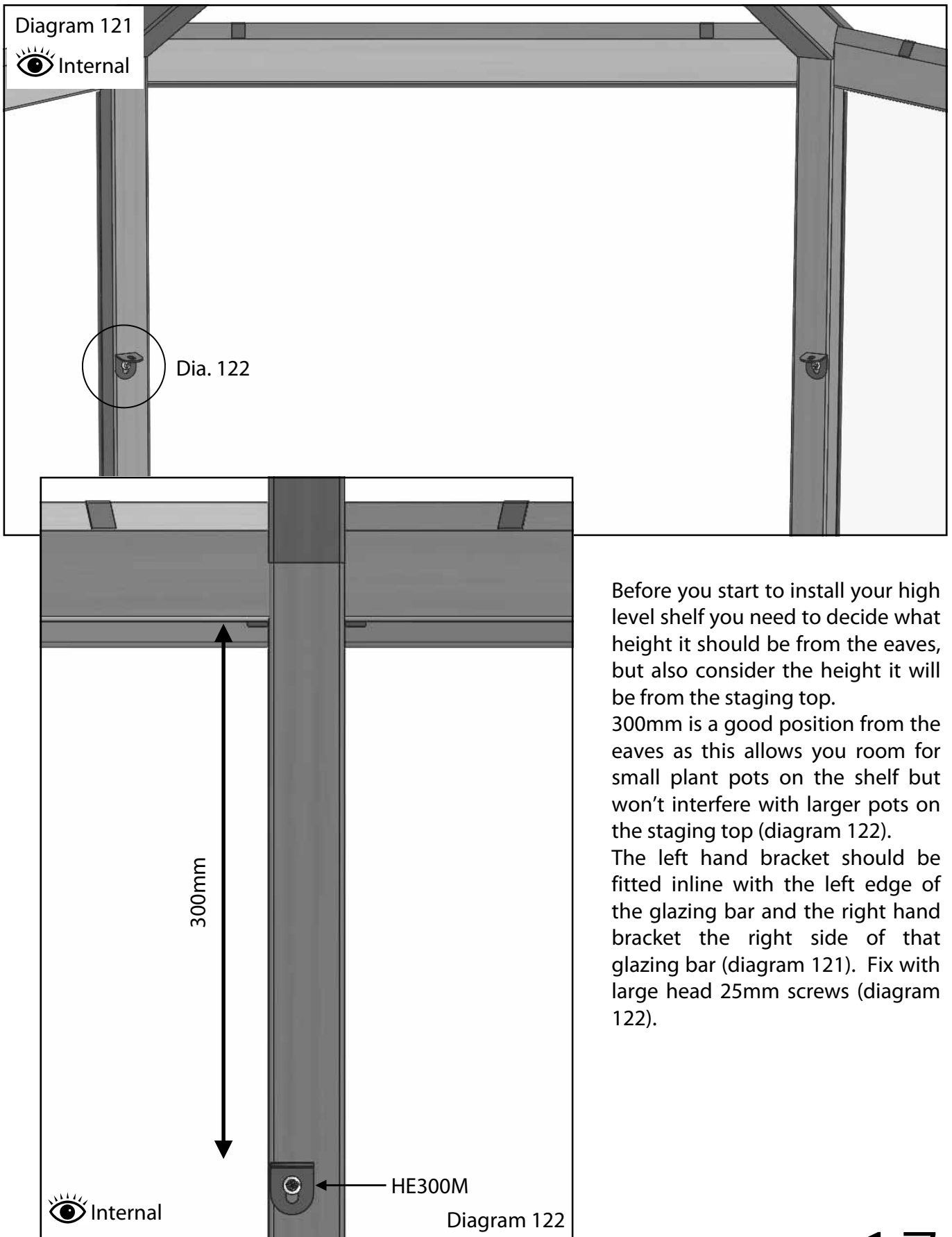
Slide a bolt into each end of the last two slats and slot them into place. Line the staging support bracket (EV1124M) up with the bolt on the 2nd slat in from the front and attach nuts to both.



Make sure all the staging slats are level before fixing the diagonal support with a large head 25mm screw (diagram 120). When you are happy with the position of the infill staging section tighten all of the nuts.



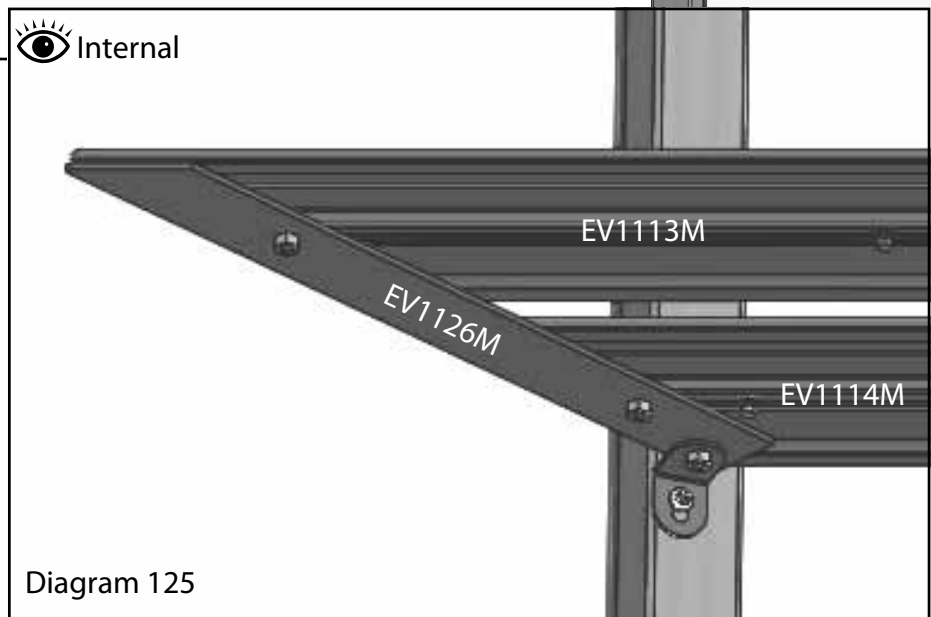
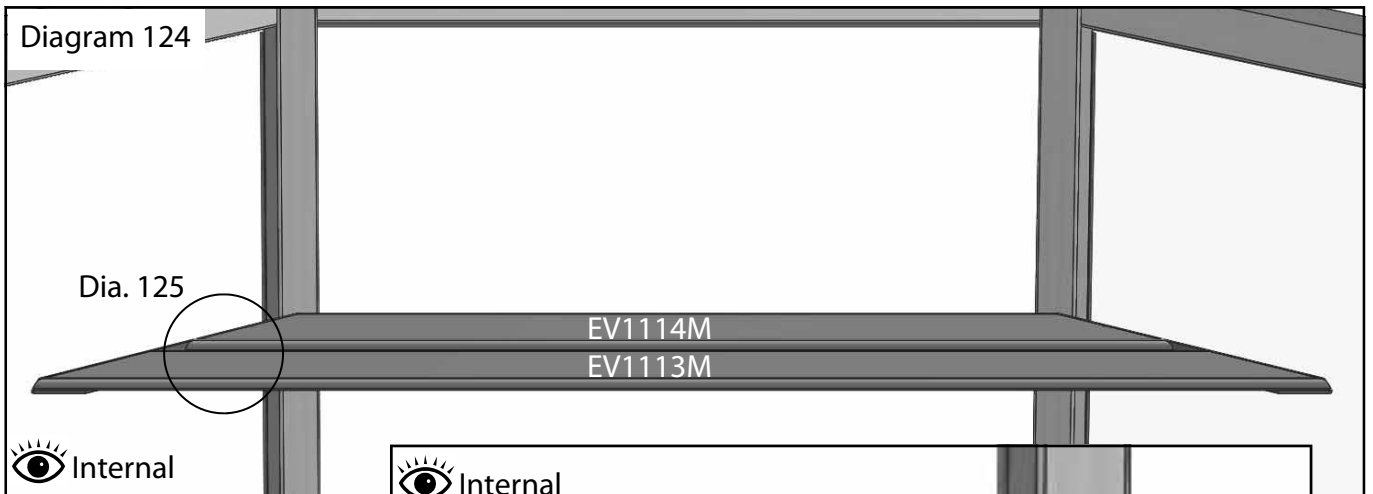
High Level Shelf Installation



Before you start to install your high level shelf you need to decide what height it should be from the eaves, but also consider the height it will be from the staging top. 300mm is a good position from the eaves as this allows you room for small plant pots on the shelf but won't interfere with larger pots on the staging top (diagram 122). The left hand bracket should be fitted inline with the left edge of the glazing bar and the right hand bracket the right side of that glazing bar (diagram 121). Fix with large head 25mm screws (diagram 122).

High Level Shelf Installation

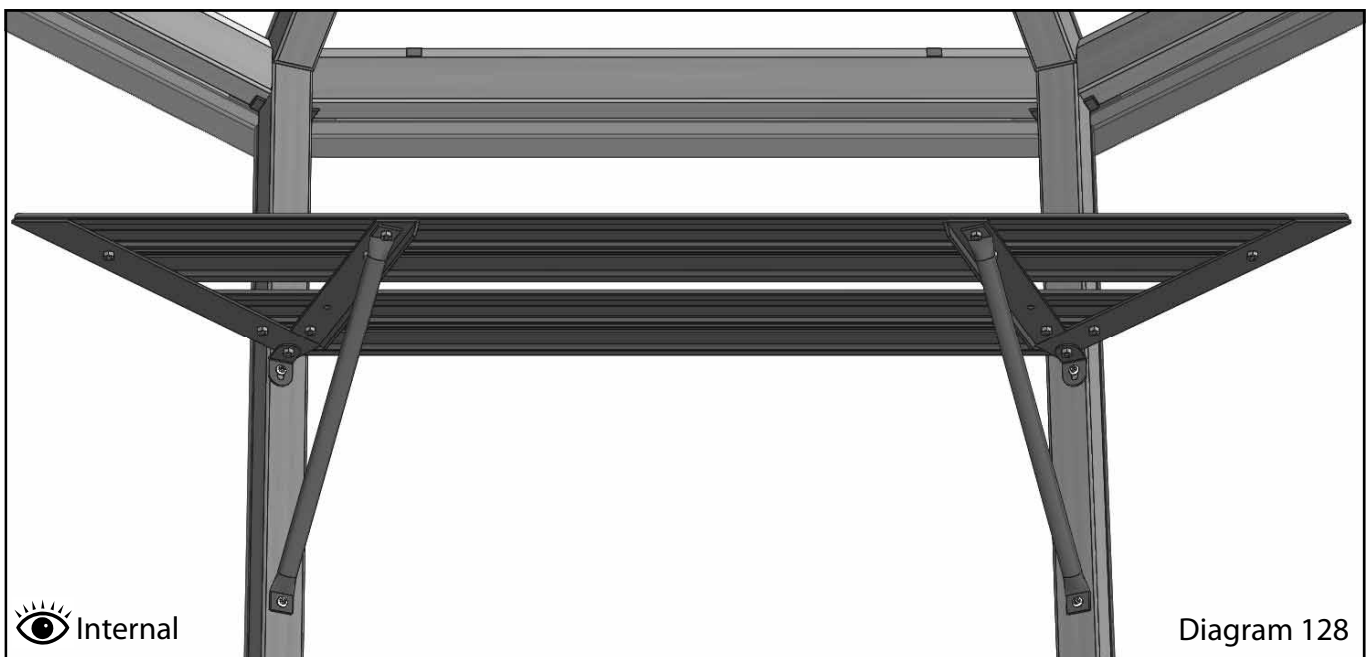
Attach the outer shelving arm (Left - EV1126M and Right - EV1127M) to the small bracket with a 10mm bolt in the hole nearest the square end (diagram 123). Next slide 4 x 10mm bolts down each shelf slat, use the two nearest the ends to attach to the outer shelving arms (diagram 125).



High Level Shelf Installation

You now need to assemble the internal shelving arms (EV1128M) with the tubular supports (EV0348M). You need to create one left hand assembly and one right hand assembly (diagrams 126 & 127).

Now offer each assembly to the shelving slats and slot them on to the bolts already inserted. Line up with the front edge and at the rear with the outer shelving arm, attach nuts and fix when you're happy with the position. Check the shelf is level before fixing the tubular supports to the greenhouse frame (diagram 128).



Downpipe Installation

In the gutter section supplied to take the downpipe there are two holes, you can decide which hole to use for the outlet and then simply blank the other hole off with the (D214) insert supplied.

Start by adding a small amount of silicone to the underside of the collar on the outlet (D201), diagram 130. Push the outlet through the hole and attach the downpipe (D211).

While supporting the downpipe slide the downpipe clip (EV0740M) on from the bottom of the pipe. Fix this to the mid rail with a 25mm round head screw (diagram 131).

When secure fit the downpipe shoe (D207) to the bottom of the pipe (diagram 132).

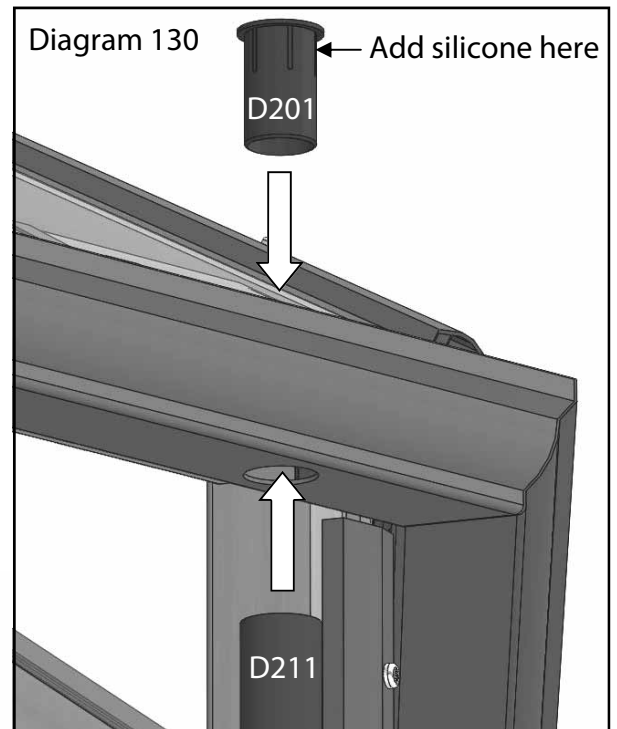
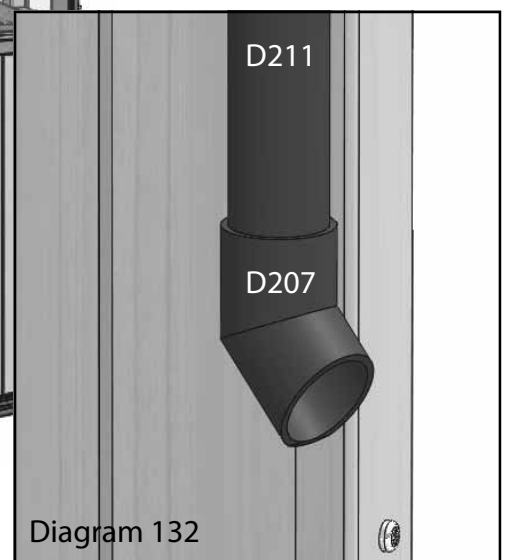
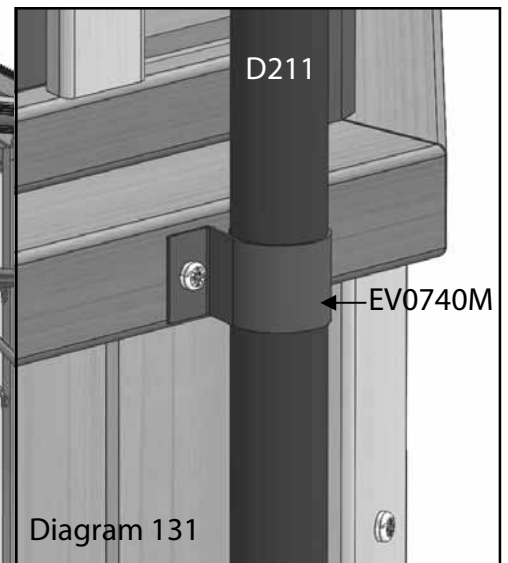
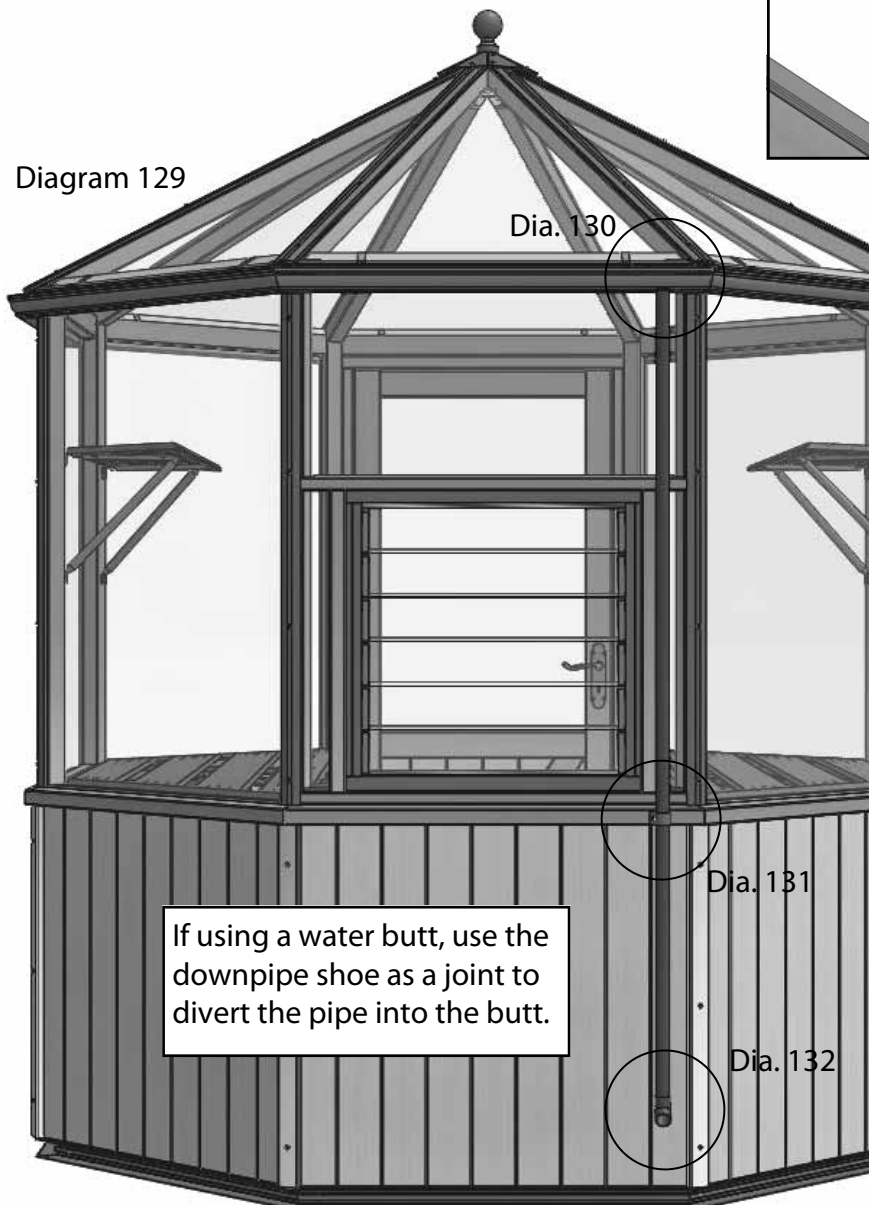


Diagram 129



Fixing Down

Do not fix down unless the staging has been installed!

If you are happy with the position of the building and your door opens and closes well you can fix the building down. You need at least one fixing per base bracket (supplied), if the building is exposed to high winds it would be a good idea to use 2 fixings per bracket (not supplied).

Drill through the bracket with a 7mm masonry drill, plug the hole with a brown rawl plug and fix with a 50mm screw (diagram 133).

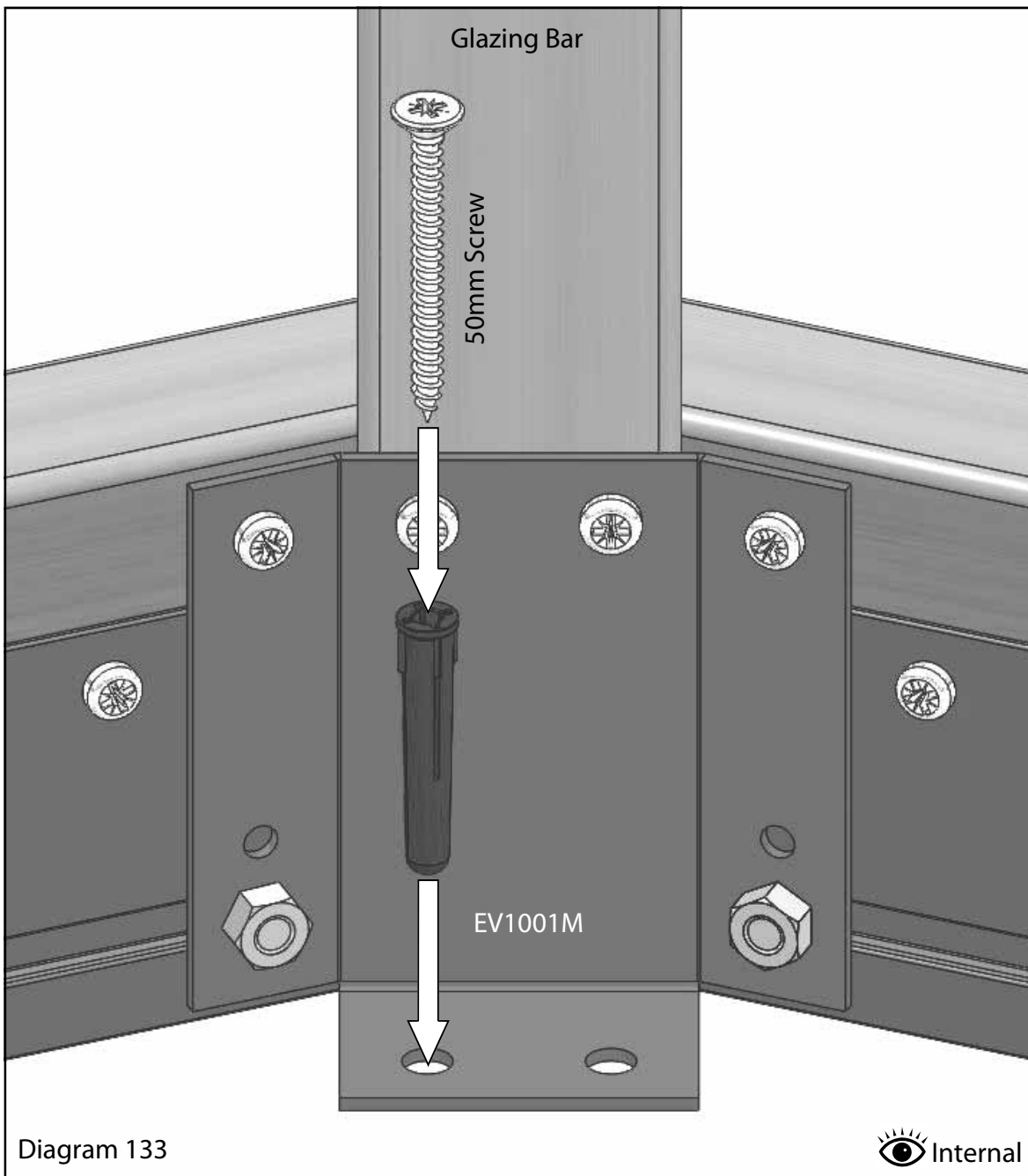
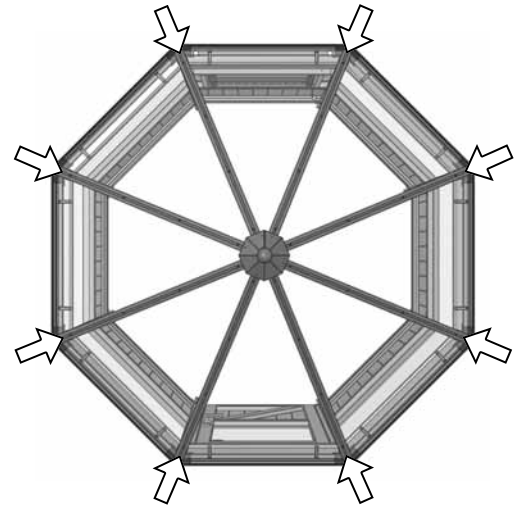
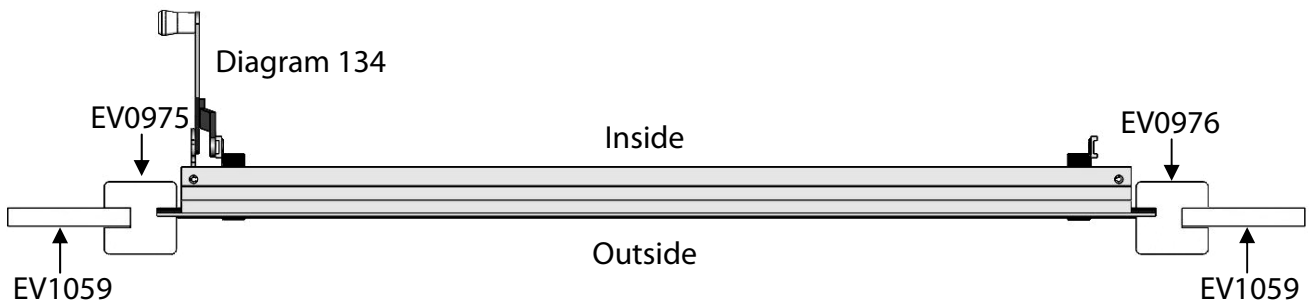


Diagram 133



Low Level Louvre (Optional)



First assemble the louvre, follow the instruction on page 25.

Insert one of the plain boards (EV1059) into the greenhouse on the left hand side below the mid rail (diagram 135), secure this with a piece of panel capping (EV0979), diagram 135.

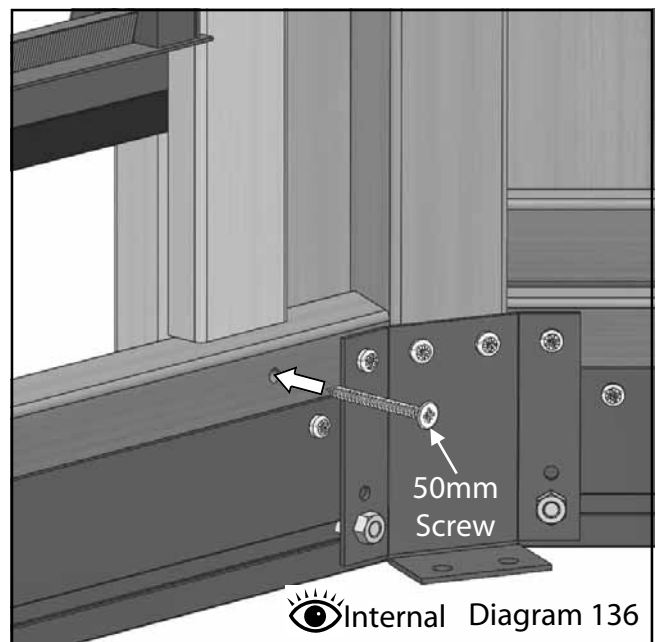
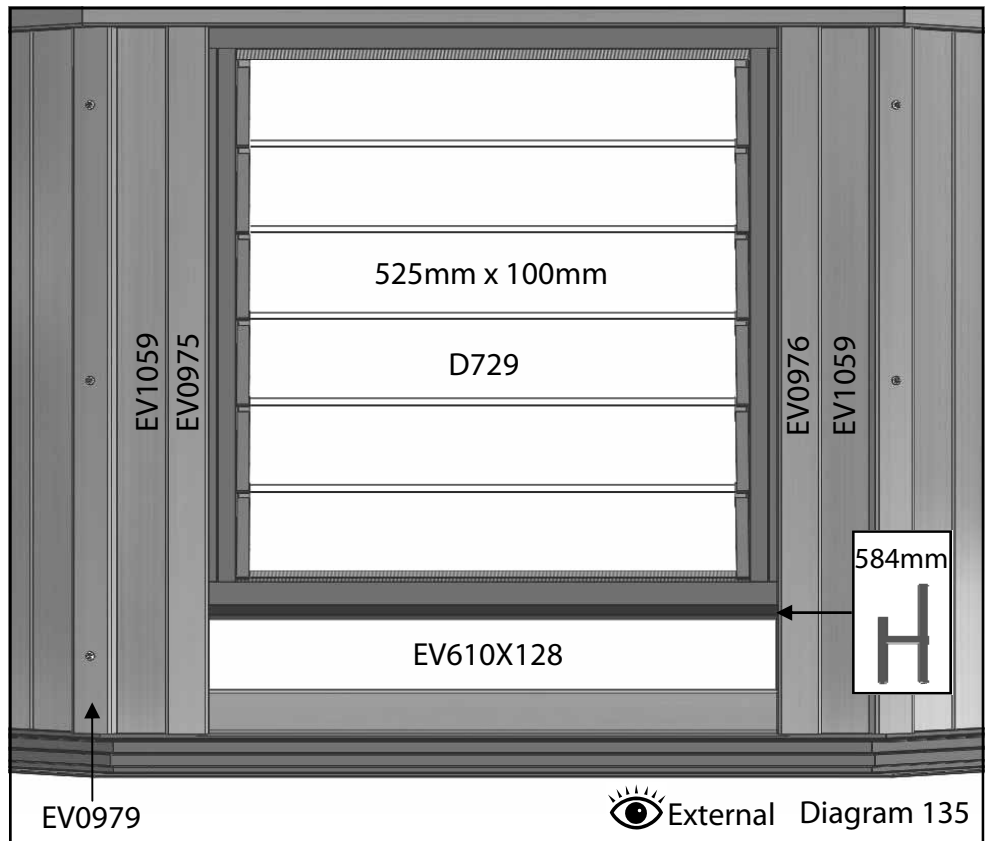
Next insert a side rail (EV0975). You can now insert the louvre up into the mid rail and across into the EV0975 and hold it in place.

Trim a 'H' shaped glass separator to **584mm** long and place this on top of the small pane of glass (EV610X128) and insert this below the louvre.

Next slot the right hand side rail (EV0976) onto the right hand side of the louvre. You can then slide the last plain board (EV1059) up into the mid rail and then secure that with a piece of panel capping.

From the inside of the building you need to drill two pilot holes through the cill section of the greenhouse frame (diagram 136). Make sure the hole is central to the cedar louvre frame and then fix with a 50mm screw.

Once the frame is installed you can fit the louvre glass. Carefully slide each piece into the glass retainers until it hits the small stop.



Auto Louvre Installation (Optional)

Once the louvre is installed in the greenhouse you can replace the manual handle with the automatic unit.

First of all remove the screw to release the arm (diagram 137).

Next Remove the handle from the frame of the louvre (diagram 138).

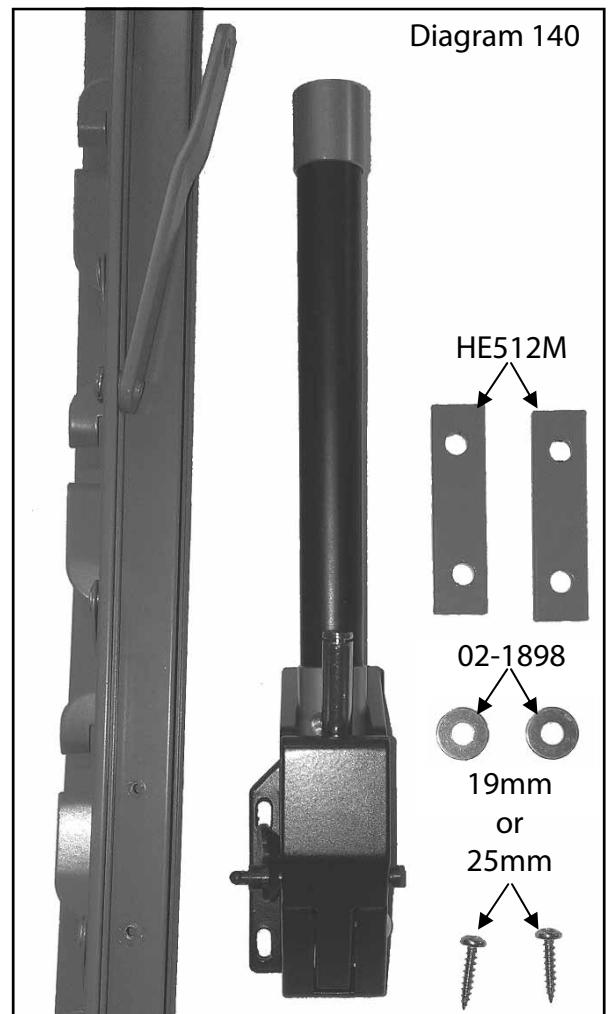
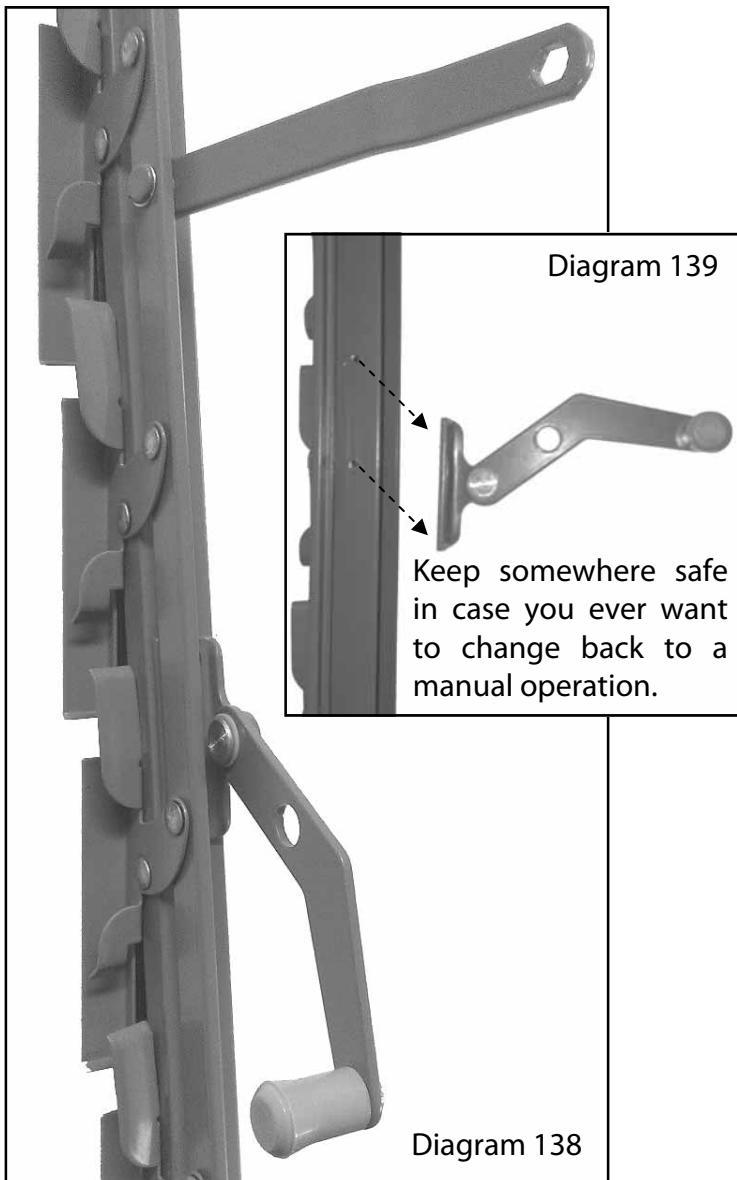
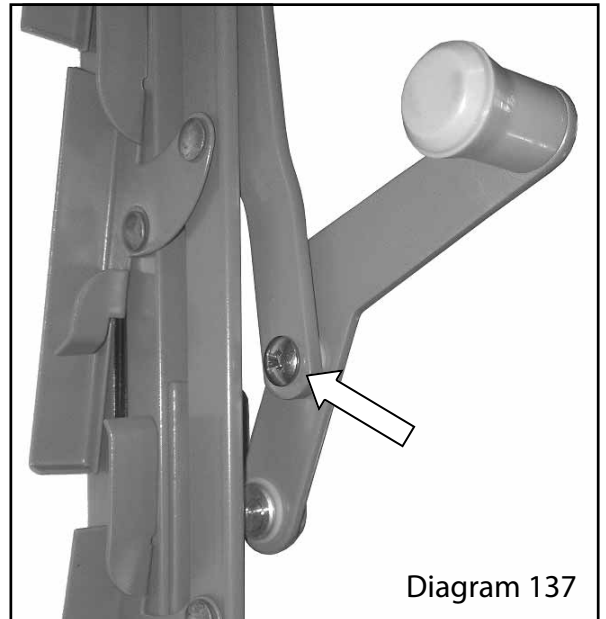


Diagram 140 shows the parts you need to attach the auto opener.

Auto Louvre Installation (Optional)

With the louvre in the closed position you need to mark the frame to drill the 2 holes. Offer the opener up to the frame with the plates and washers and slide the louvre arm into position. This now gives you the correct location for the opener (diagram 141). Once you have marked the frame remove the opener to drill the holes (2.5mm drill bit).

Now fix the opener to the frame using the 2 plates and 2 washers (diagram 142). You should have either 19mm or 25mm screws spare from the greenhouse frame for this. Once fixed in place attached the louvre arm to the opener and hold in place with the plastic pop-on cap (diagram 143).

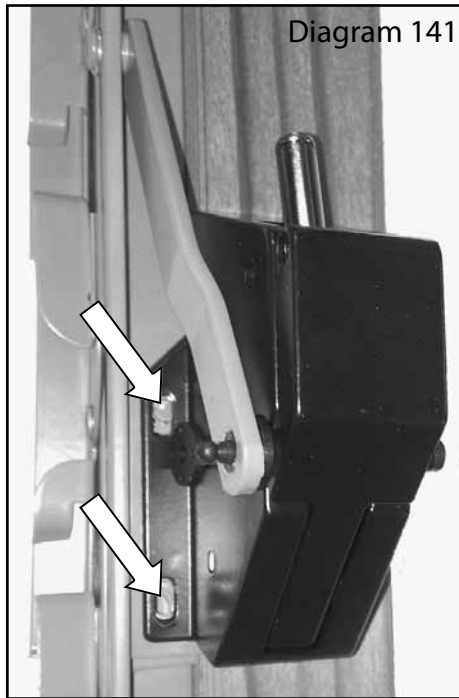


Diagram 141

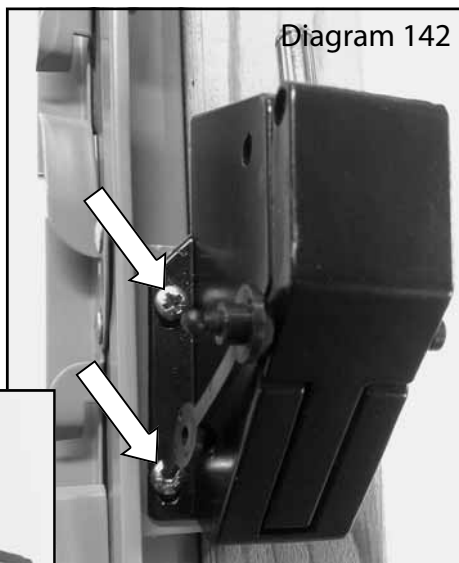


Diagram 142

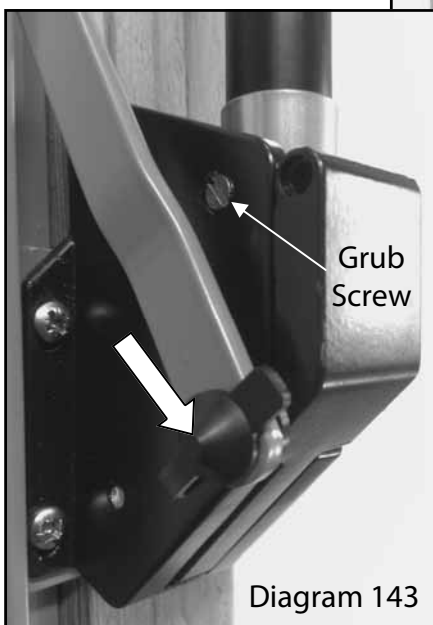


Diagram 143

Now slide the cylinder onto the shaft attached to the body of the opener, secure this in place with 2 grub screws (diagram 143). Finally fit the thumb screw to the end of the cylinder, adjust this to get the desired amount of ventilation (diagram 144).

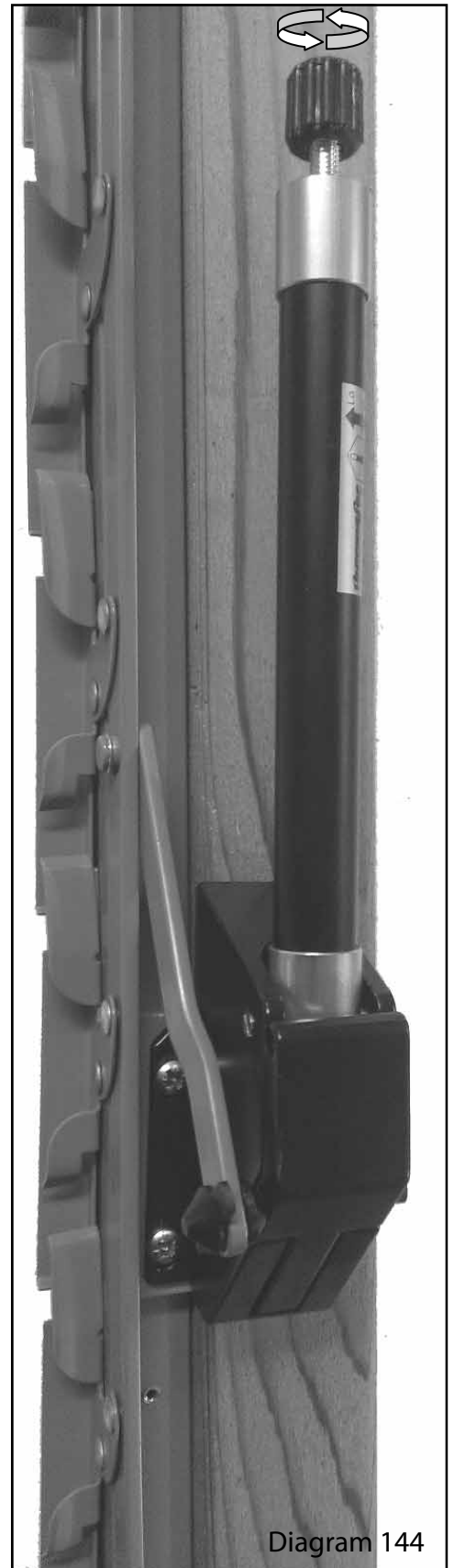


Diagram 144

Parts List

EVOCT66	Evo Octagonal Greenhouse 6x6	Quantity
EVOCTBOX66	Evo Octagonal Greenhouse BOX 6x6	1
EVOCTCOM66	Evo Octagonal Greenhouse Components 6x6	1
EVOCTSTA66	Evo Octagonal Greenhouse Staging 6x6	1
EVOCTSHE6	Evo Octagonal Greenhouse Shelving 6x6 and 6x9 End (Single)	2
EVOCTLOUH	Evo Octagonal High Level Louvre	2
EVOCTSDLHH	Evo Octagonal Greenhouse Door in Frame_Single_LH Hinged_Glazed	0
EVOCTSDRHH	Evo Octagonal Greenhouse Door in Frame_Single_RH Hinged_Glazed	1
EVOCTCAPC66	Evo Octagonal Greenhouse Capping 6x6 - Cedar	1
EVOCTCAPA66	Evo Octagonal Greenhouse Capping 6x6 - Aluminium	0
EV1060	Evo Octagonal Panel Assembled	7
EV795X1050	Evo Octagonal Side Glass	5
EV824X1106X30	Evo Octagonal Roof Glass	8
EV610x76	Evo Octagonal Side of Louvre Glass	4
EV795x392	Evo Louvre Make-up Glass	2
EVOCTBOX66		
Evo Octagonal Greenhouse BOX 6x6		
EV0313M	Evo Glass Stop	16
EV0950	Octagonal Cill_Angled EV0950 793mm	7
EV0953	Octagonal Eaves Bar_Single EV0953 762mm	8
EV0956	Octagonal Mid Rail_Single EV0956 843mm	5
EV0959	Octagonal Mid Rail_Left of Door EV0959 879mm	1
EV0960	Octagonal Mid Rail_Right of Door EV0960 879mm	1
EV0966	Octagonal Roof Glazing Bar EV0966 1146mm	8
EV0968	Octagonal Glazing Bar Side of Door R EV0968 1850mm	1
EV0969	Octagonal Side Glazing Bar EV0969 1850mm	6
EV0971	Octagonal Glazing Bar Side of Door L EV0971 1850mm	1
EV0978	Octagonal Panel Capping Side of Door EV0978 727mm	2
EV0979	Octagonal Panel Capping EV0979 727mm	6
EV0988	Octagonal Side of Door Capping Cdr EV0987 1028mm	2
EVOCTSMA01	Evo Octagonal Greenhouse Smalls - 6x6 & 6 x 9	1
D211	downpipe	1

Parts List

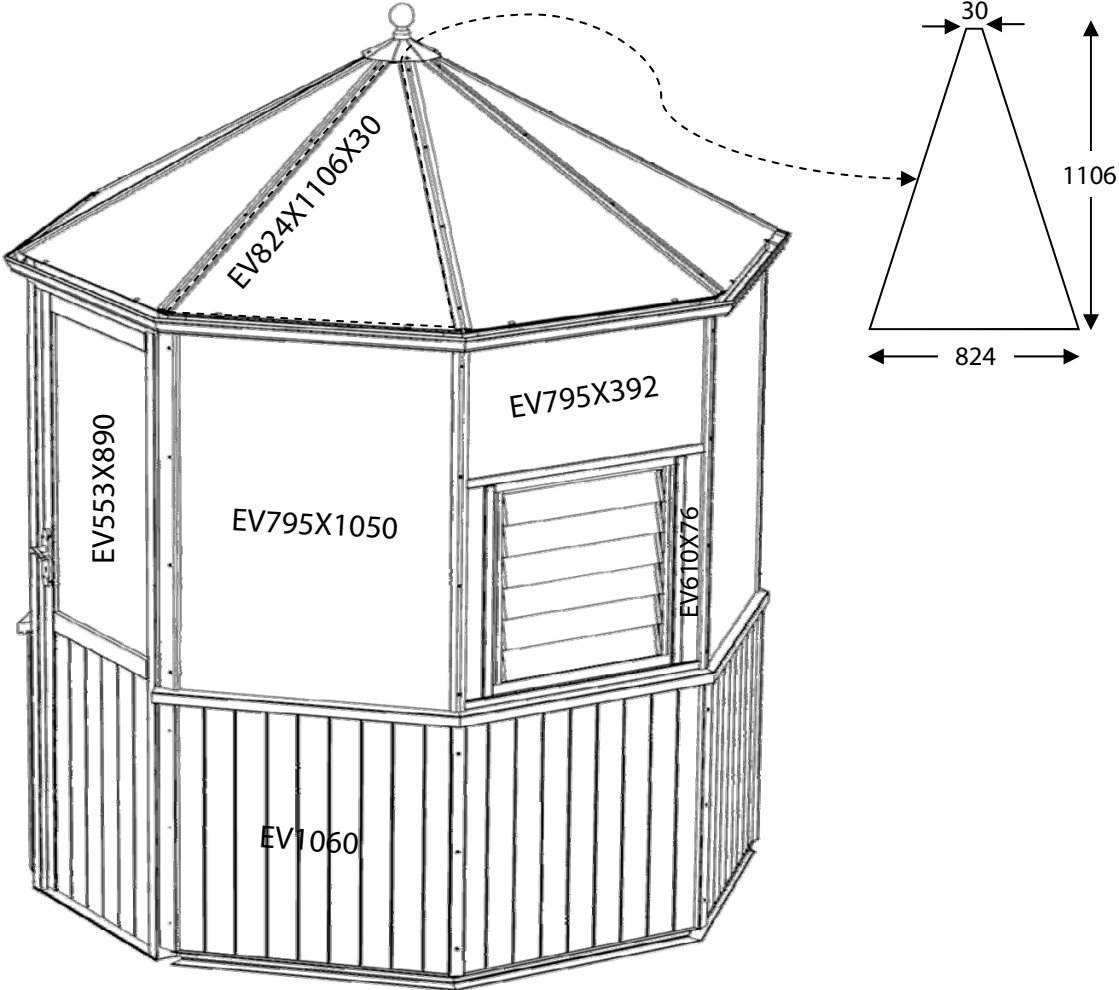
EVOCTCAPC66	Evo Octagonal Greenhouse Capping 6x6 - Cedar	Quantity
EV0980	Octagonal Side Capping Cdr EV0980 1028mm	6
EV0982	Octagonal Roof Capping Cdr EV0982 1180mm	8
EVOCTCAPA66		
EVOCTCAPA66	Evo Octagonal Greenhouse Capping 6x6 - Aluminium	
EV0990M	Octagonal Side Capping EV0990M 1028mm **MOSS**	6
EV0992M	Octagonal Roof Capping EV0992M 1180mm **MOSS**	8
EVOCTCOM66		
EVOCTCOM66	Evo Octagonal Greenhouse Components 6x6	
EV0999M	Octagonal Mid Rail Plate EV0999M **MOSS**	6
EV1000M	Octagonal Eaves Bracket EV1000M **MOSS**	8
EV1001M	Octagonal Base Bracket EV1001M **MOSS**	8
EV1003M	Octagonal Ridge Bracket 66 EV1003M **MOSS**	1
EV1008M	Octagonal Cowl 66_folded EV1008M **MOSS**	1
EV1014M	Octagonal Base_Single EV1014M 824mm **MOSS**	7
EV1025M	Octagonal Finial Ball EV1025M 99.5mm **MOSS**	1
EV1031M	Octagonal Gutter_Single EV1031M 872mm **MOSS**	7
EV1032M	Octagonal Gutter_Single - With Outlets EV1032M 872mm **MOSS**	1
EV1070	Octagonal Gutter Corner Insert EV1070	8
EVOCTSMA01		
EVOCTSMA01	Evo Octagonal Greenhouse Smalls - 6x6 & 6 x 9	
EV0328	19mm Pan Poz No.4 SS EV0328	30
EV0329	13mm x 4 Pan Poz Self -drillingA2 stainless screw EV0329	4
EV0330	25mm Csk SS EV0330	10
EV0331	25mm Pan Poz SS EV0331	75
EV0332	40mm Pan Poz SS EV0332	185
EV0333	50mm Csk SS EV0333	45
EV0334	80mm Csk SS EV0334	21
EV0338	40mm Csk SS EV0338	34
EV0364	35mm Csk SS EV0364	32
D244	M6 Alum Nut x 20 F5006	1
D267	10mm Alu bolt M6 - bag of 10	2
HE588	Bolt, square head - 15mm M6	2
D207	45 degree downpipe Shoe	1
D201	Outlet Stub	1
D214	Blanking plug	1
EV0740M	Downpipe clip	1
02-1787	Brown Plastic Rawl Plug	10

Parts List

EVOCTSTA66	Evo Octagonal Greenhouse Staging 6x6	Quantity
HE300M	Base Bracket **MOSS**	10
EV0350M	Atlas staging tubular support 02-2210 **MOSS**	6
EV1111M	Evo Atlas Octagonal Staging Slat_66-68_1 EV1111M 1878mm **MOSS**	2
EV1112M	Evo Atlas Octagonal Staging Slat_66-68_2 EV1112M 1586mm **MOSS**	2
EV1113M	Evo Atlas Octagonal Staging Slat_66-68_3 EV1113M 1294mm **MOSS**	2
EV1114M	Evo Atlas Octagonal Staging Slat_66-68_4 EV1114M 1002mm **MOSS**	2
EV1115M	Evo Atlas Octagonal Staging Slat_66_Infill EV1115M 733mm **MOSS**	4
EV1120M	Evo Atlas Octagonal Staging Arm_Internal End EV1120M 575mm **MOSS**	4
EV1121M	Evo Atlas Octagonal Staging Arm_Outer End_LH EV1121M 790mm **MOSS**	2
EV1122M	Evo Atlas Octagonal Staging Arm_Outer End_RH EV1122M 790mm **MOSS**	2
EV1123M	Evo Atlas Octagonal Staging Arm_Infill EV1123M 558mm **MOSS**	2
EV1124M	Evo Atlas Octagonal Staging Support Bracket EV1124M 107.75mm **MOSS**	2
EV1125M	Evo Atlas Octagonal Staging Bracket_Middle arm EV1125M **MOSS**	4
HE576	HE576 Stainless Bolt, square head - 10mm M6 -	56
HE579	HE579 Nut - M6 -Stainless	56
EV0326	25mm Pan Poz No.5 SS EV0326	16
EVOCTSHE6 Evo Octagonal Greenhouse Shelving 6x6 and 6x9 End (Single)		
HE300M	Base Bracket **MOSS**	2
EV0348M	Atlas shelf tubular support 02-2211 MOSS	2
EV1113M	Evo Atlas Octagonal Staging Slat_66-68_3 EV1113M 1294mm **MOSS**	1
EV1114M	Evo Atlas Octagonal Staging Slat_66-68_4 EV1114M 1002mm **MOSS**	1
EV1126M	Evo Atlas Octagonal Shelving Arm_Outer End_LH EV1126M 377mm **MOSS**	1
EV1127M	Evo Atlas Octagonal Shelving Arm_Outer End_RH EV1127M 377mm **MOSS**	1
EV1128M	Evo Atlas Octagonal Shelving Arm_Internal End EV1128M 259mm **MOSS**	2
HE576	HE576 Stainless Bolt, square head - 10mm M6 -	14
HE579	HE579 Nut - M6 -Stainless	14
EV0326	25mm Pan Poz No.5 SS EV0326	5
EVOCTLOUH Evo Octagonal High Level Louvre		
EV0325	Evolution louvre ***MOSS*** EV0325	1
EV0972	Octagonal High Level Louvre Top Rail EV0972 776mm	1
EV0973	Octagonal High Level Louvre Side Rail EV0973 628mm	2
EV0974	Octagonal High level Louvre Bottom Rail EV0974 776mm	1
EV0333	50mm Csk SS EV0333	4
EV0334	80mm Csk SS EV0334	4
EVOCTLOUL Evo Octagonal Low Level Louvre		
EV0325	Evolution louvre ***MOSS*** EV0325	1
EV1150	Octagonal Low Level Louvre Side LH EV1150	1
EV1151	Octagonal Low Level Louvre Side RH EV1151	1
EV0333	50mm Csk SS EV0333	2

Evo Octagonal 6x6 Glass / Wood panel plan

CODE	SIZE (mm)	QUANTITY	NOTES
EV610X76	610 x 76	4	Louvre infill panels
EV795X392	795 x 392	2	Louvre makeup panes
EV795X1050	795 x 1050	5	Side panes
EV824X1106X30	See drawing	8	Roof panes
EV553X890	553 x 890	1 (fitted)	Fitted into door for you.
D729TG	525 x 100	12	Packed with louvre frames
EV1060 (wood)	795 x 732	7	Wood Panels



Helpline 0116 267 7091

www.birstall.com alton@birstall.com